



art.-no. 1.90.01

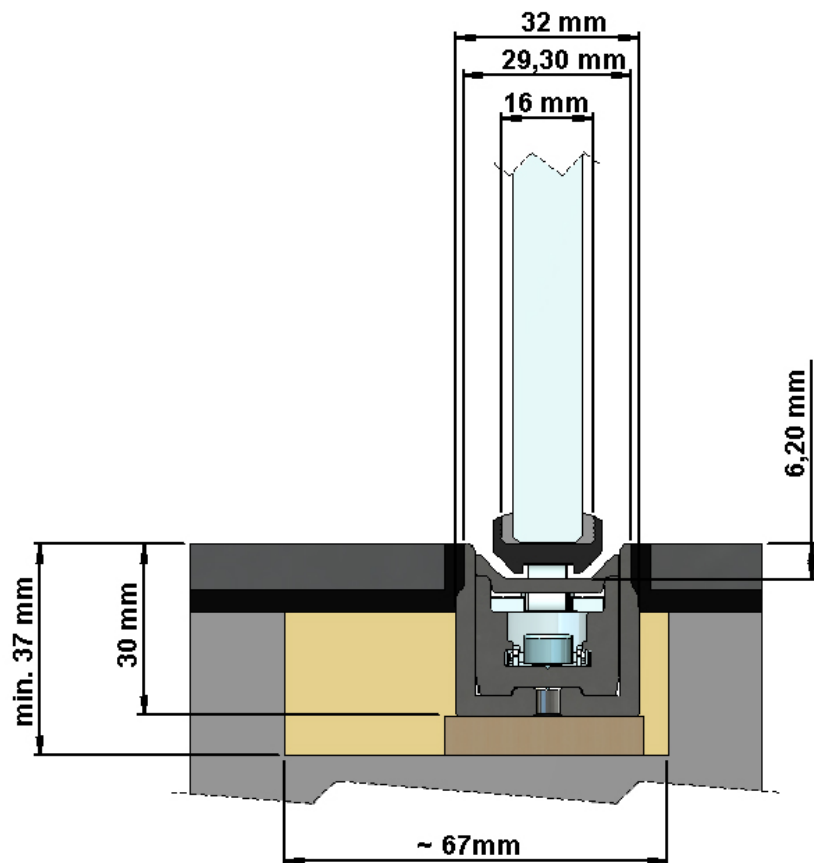
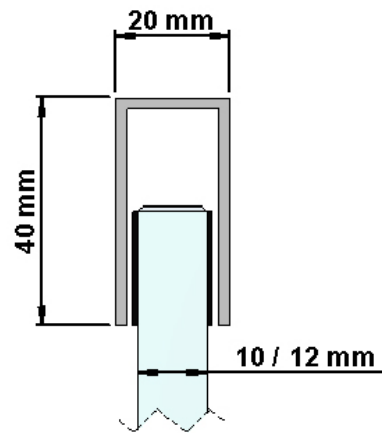
technical drawings

floor guided roller fitting
 astec b.1000 - registered no. 10 2008 039 415.7 german patent office

21.07.2010

aluminium U-profile 20/40/2, anodised EV1.

the pane should have a solid retention into the profile which must be firmly fastened.

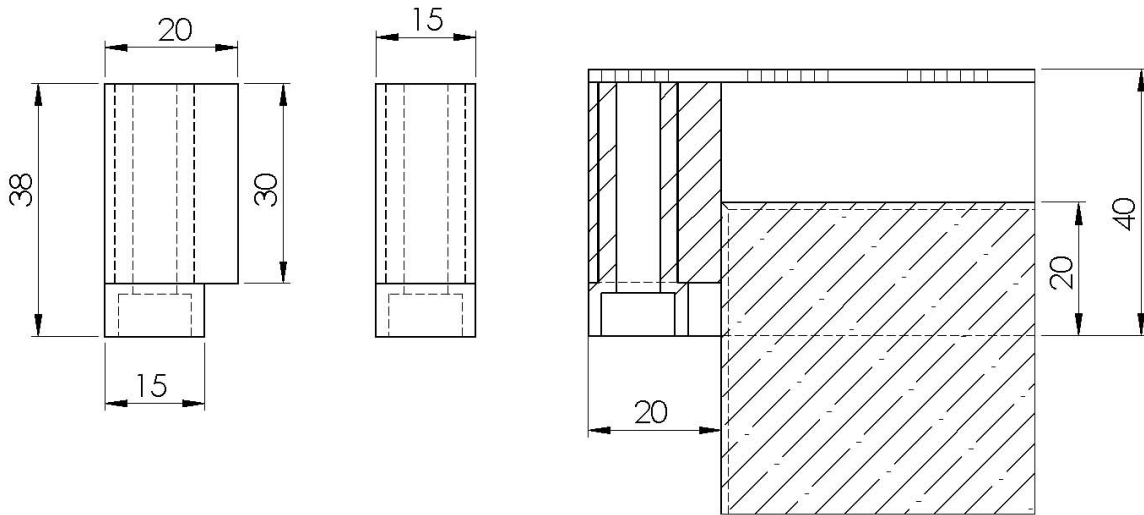


art.-no. 1.90.01

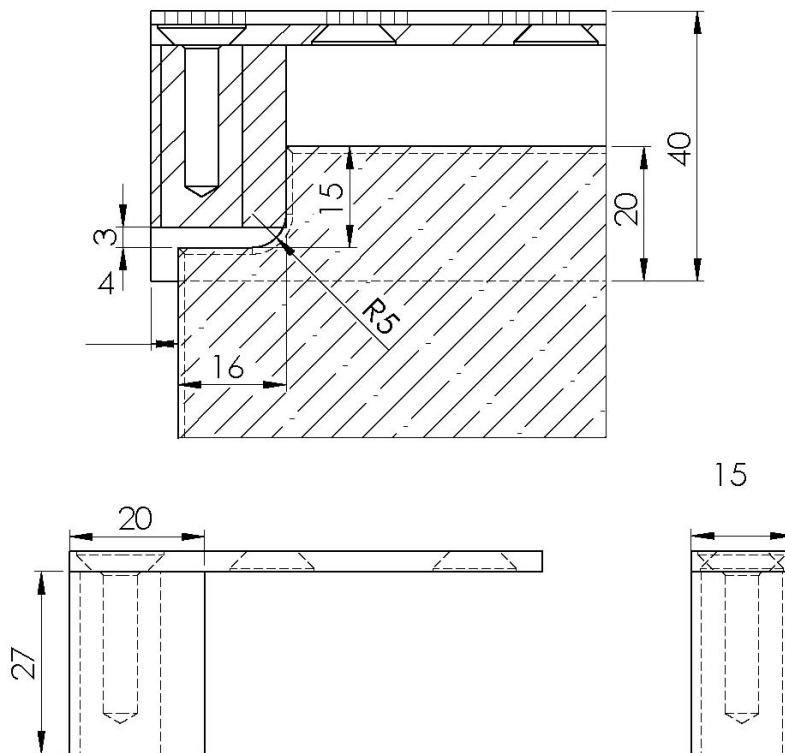
technical drawings

floor guided roller fitting
 astec b.1000 - registered no. 10 2008 039 415.7 german patent office

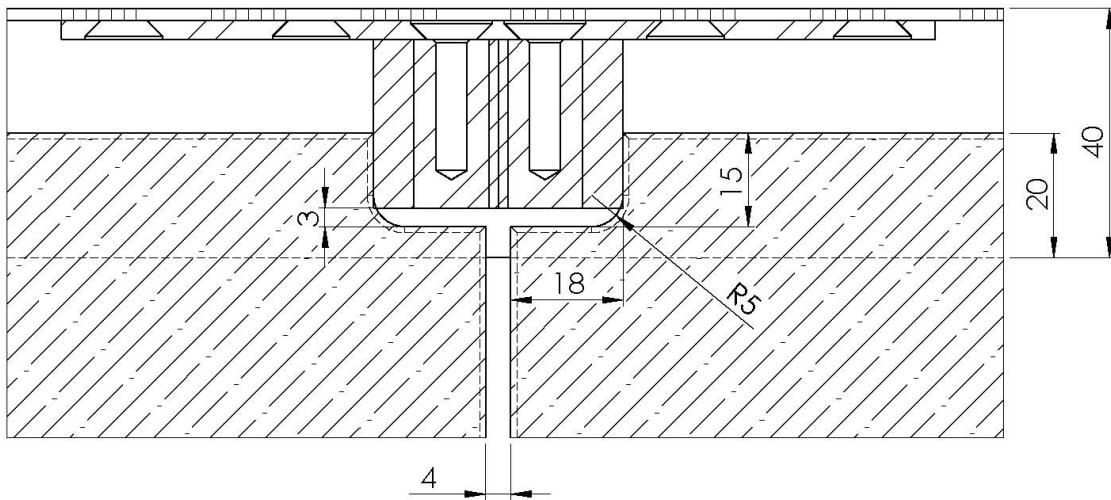
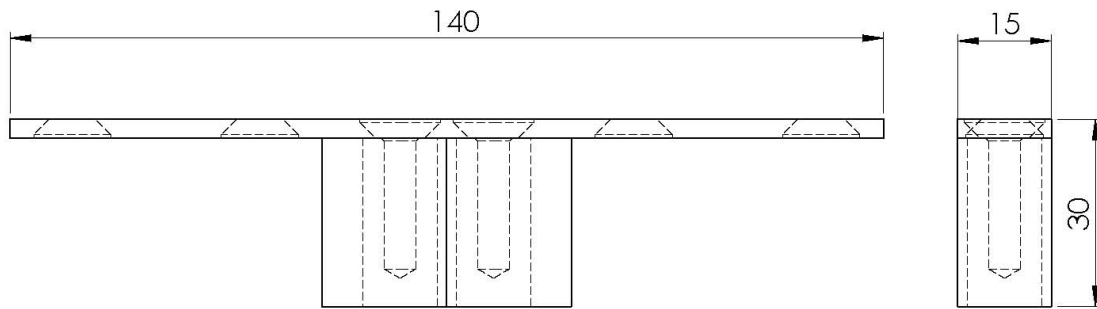
21.07.2010



art. nr. 9.08.32
 end stop for alu u-profile



art. nr. 9.08.37
 end stop for alu u-profile
 frontale



art. nr. 9.08.35
 end stop for alu u-profile
 2-track