

assembly instructions

stainless steel roll fitting for sliding elements astec b.400

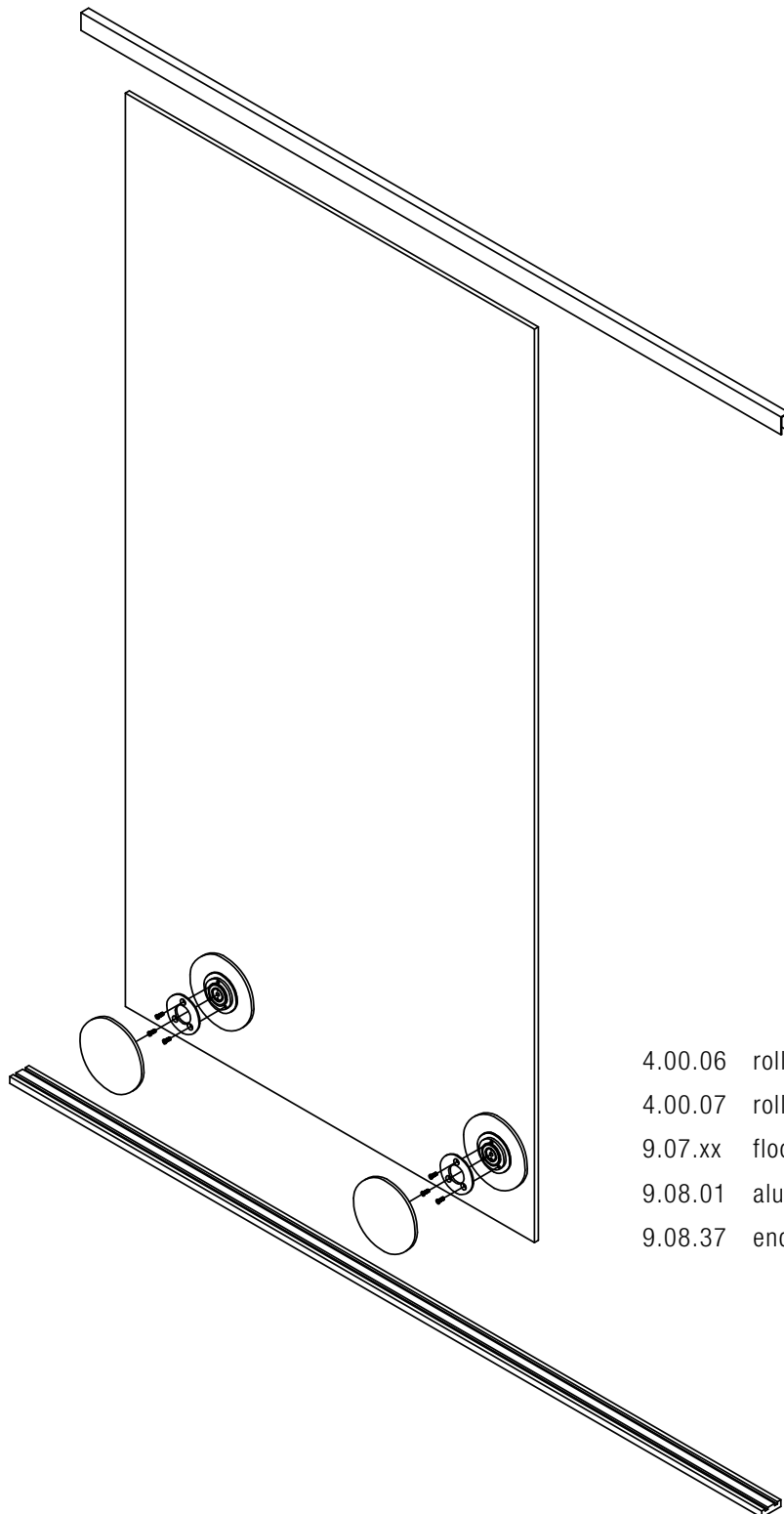
08.08.2011

- step 1** make sure that all parts needed for installation are available. in addition to a drill, a 3 mm allen key is required.
- step 2** always place stainless steel parts on a clean, non-scratching surface!
- step 3** align the floor track with the required distance between wall and door and cut the appropriate groove in the floor so that the top edge of the track is flush with the finished floor. if necessary, use levelling compound in order to guarantee that evenness, straightness and the flush fitting of the floor track is attained. fix the track to the floor with suitable mounting adhesive. as a rule, the ceiling profiles are aligned with the floor track and screwed in place. in any event, the upper and lower track are to be mounted exactly parallel to each other.
- step 4** fix the rollers to the door leaf. the pre-assembled roller sets are taken apart by turning the wheel discs anti-clockwise, thus loosening the central, inside connecting screw. remove the retaining ring and put the roller half with the fitted ball bearing into the hole in the glass. make sure that the pvc washers to avoid contact between the glass and metal are previously placed between the glass and the retaining ring; likewise the pvc strips between the edge of the glass and felly. secure the roller set in the glass panel by replacing the retaining washer and then rejoin the second wheel disc with the roller set by means of the central connecting screw. it is essential to ensure that the central connection screw is fitted with a screw locking device.
- step 5** fix the provided felt strips to the glass panel where it runs in the ceiling track by gluing 2 or 3 approximately 6 to 10 cm long strips on either side of the glass. the felt strips avoid contact between the glass and metal in the ceiling track and ensure practically soundless running of the door leaf. when installing the door leaf, first lift it up at an angle and insert it into the u-profile and then bring it into the vertical position at the bottom position in the grooves.
- step 6** position the stays on the ceiling track so that frontal impact of the door leaf on the wall or glass/glass collision in the case of double-door, single-track installations is reliably avoided. afterwards, fix the stays to the ceiling using woodscrews through the ceiling track.
- step 7** avoid drilling dust, use suction appliances. stainless steel surfaces are susceptible. work with care. once installation is completed, clean the surfaces with a stainless steel protective spray.

assembly instructions

example of assembly
astec b.400

08.08.2011



4.00.06 roller b.400 diam. 160 mm

4.00.07 roller b.400 diam. 120 mm

9.07.xx floor track

9.08.01 alu u-profile 40/20 mm

9.08.37 end stop in alu u-profile 40/20 mm

care and maintenance details

for stainless steel fittings

08.08.2011

design fittings made of stainless steel are made of rustproof stainless steel. the solid stainless steel V2A rustproof (material no. 1.4301) is precisely manufactured and of first class quality. especially the decorative surfaces are manufactured very extensively by grinding them and then finely brush them.

although stainless steel doesn't corrode under usual conditions in the atmosphere it is however essential to constantly maintain and care for the stainless steel products in order to maintain a nice and decorative surface as well as to ensure its hygienic features.

for regular care please use a usual stainless steel preservative spray . these sprays can be obtained from different manufacturers or can be bought in hardware stores or in specialized trade shops.

apply this cleaning agent with a soft cloth on the stainless steel surfaces and wipe off stain like oil, dirt or sweat etc. finish and polish with a dry cloth, then you can be sure to have a nice and good like stainless steel fitting for many years. please absolutely avoid any scratching, rubbing cleansers or tools.

as a matter of principle ball bearings of the rollers are sealed and life-long lubricated. wipe the polyamide rollers with a damp cloth. dust and other dirt from the air can cause coating at the rolls which results in unease running resp. blocking of the rolls. with roll fittings, the floor guides are to be cleaned regularly with a vacuum cleaner in order to clean particularly from rough dirt. small stones or other firm dirt are crashed by the runners or are pressed into the smooth polyamide or wood of the floor guide, both result in unease running or disturbing noise.

as a matter of principle, whenever runners don't run easily or cause noise, please check whether screws are fixed tight enough. please always use new tools for it, so that interior forms of screws do not get damaged, as they too, are a decorative part of the fittings. from time to time please also check whether fasteners are still tight enough and also if they are still at the correct position. likewise also the floor guide has to be checked whether it is still tight as well as the anti-lift out security.

your stainless steel fitting are grateful for being taken care of, and show this by long durability, good operation and an always nice and precious look.