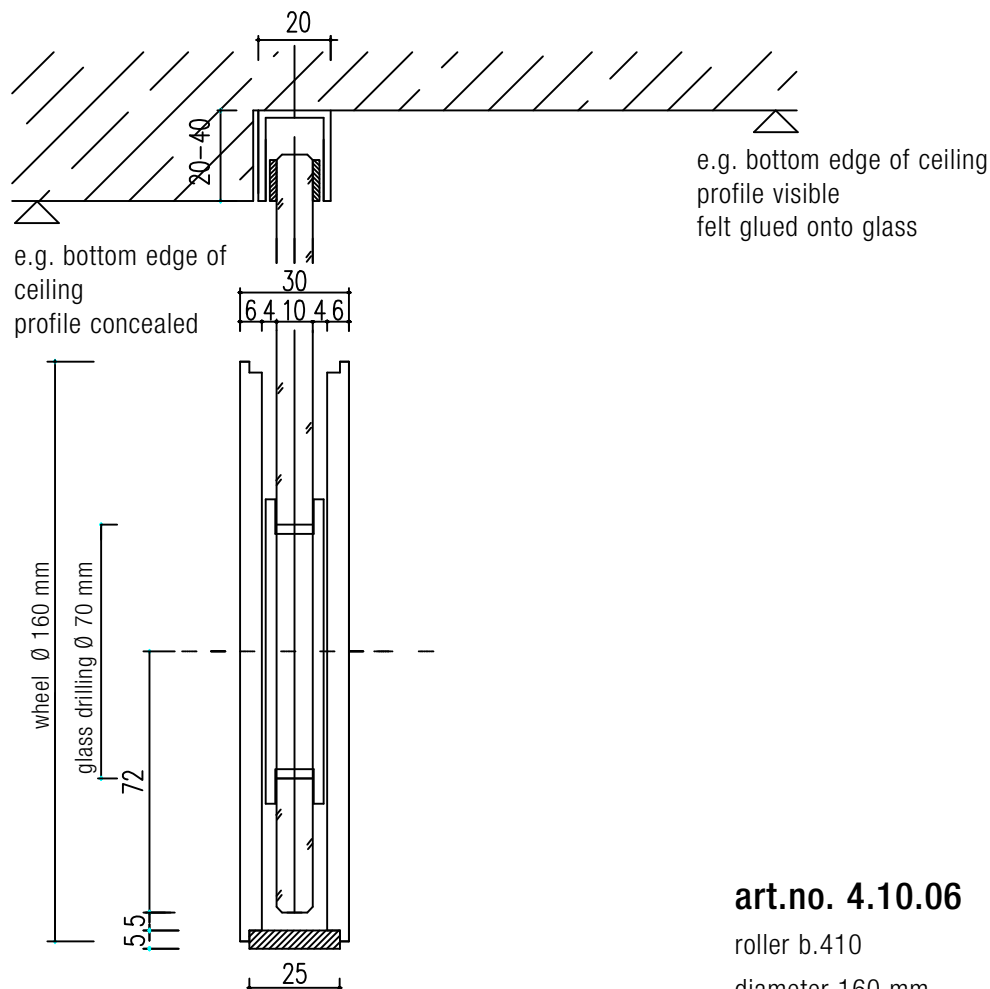


# technical drawings

stainless steel roll fitting for sliding doors  
 astec b.410 - eingetr. no. 202 19 810.3 german patent office

11.11.2011

alu u-profile 20/40/2 mm  
 anodised EV1



**art.no. 4.10.06**

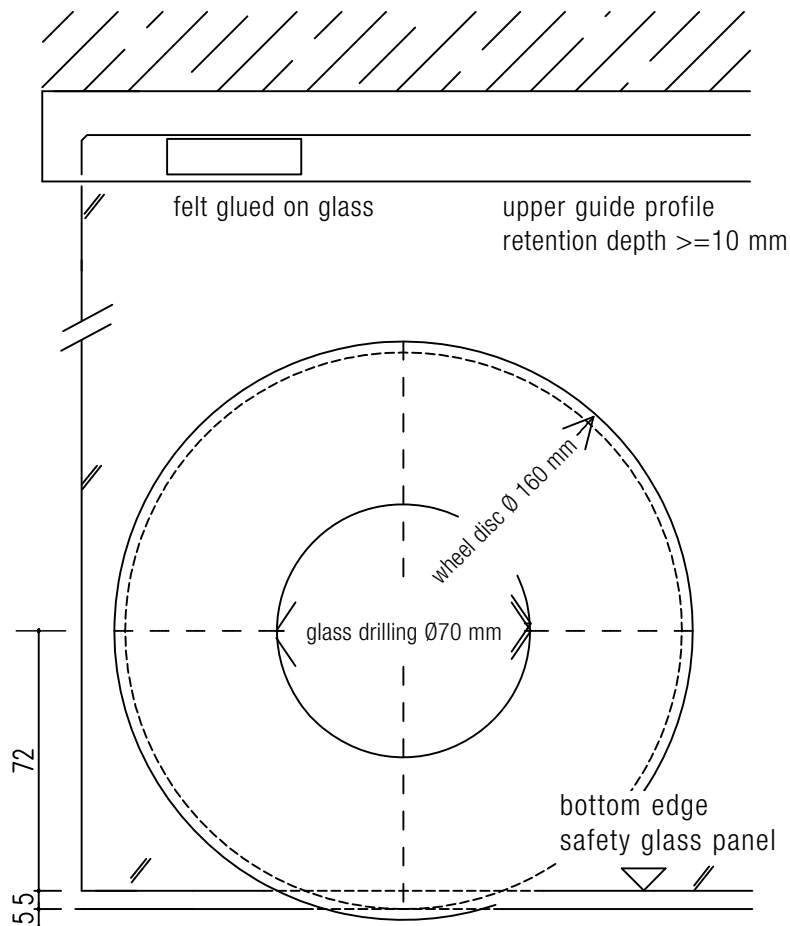
roller b.410  
 diameter 160 mm

**art.no. 9.07.17**

floor track stainless steel b.410  
 undrilled, 25/5 mm

**art.no. 9.07.46**

floor track stainless steel b.410  
 drilled, 25/5 mm



**art.no. 4.10.06**

roller b.410

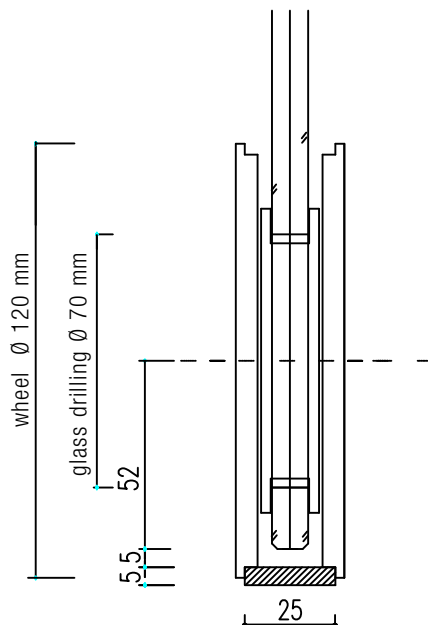
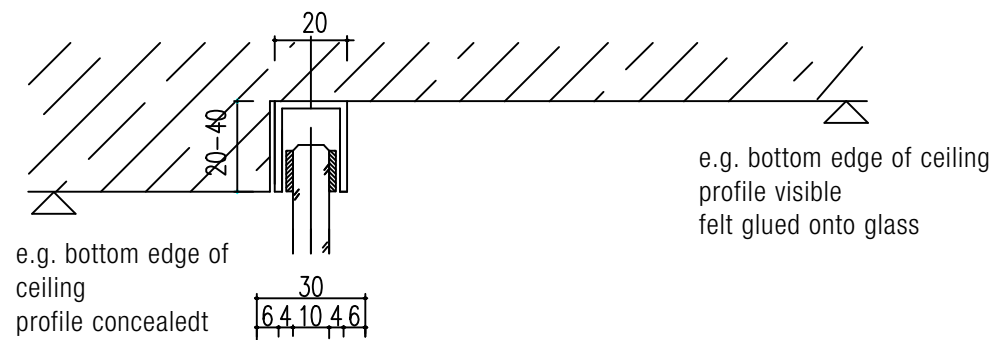
diameter 160 mm

# technical drawings

stainless steel roll fitting for sliding doors  
 astec b.410 - eingetr. no. 202 19 810.3 german patent office

11.11.2011

alu u-profile 20/40/2 mm  
 anodised EV1



## art.no. 4.10.07

roller b.410  
 diameter 120 mm

## art.no. 9.07.17

floor track stainless steel b.410  
 undrilled, 25/5 mm

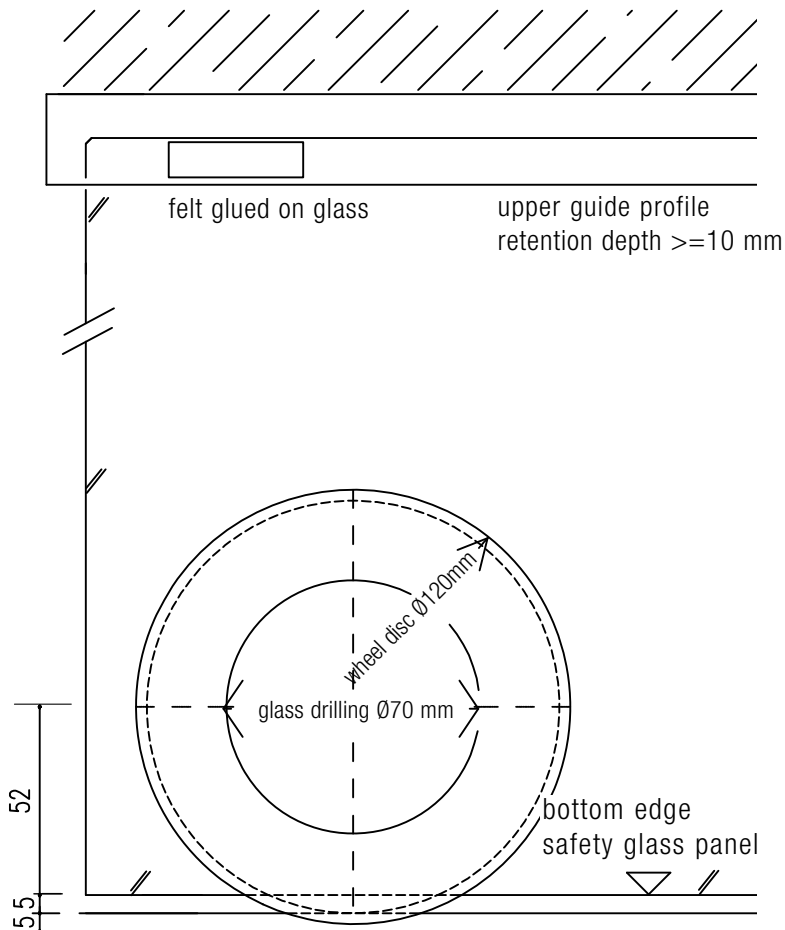
## art.no. 9.07.46

floor track stainless steel b.410  
 drilled, 25/5 mm

# technical drawings

stainless steel roll fitting for sliding doors  
 astec b.410 - eingetr. no. 202 19 810.3 german patent office

11.11.2011



**art.nr. 4.10.07**

roller b.410

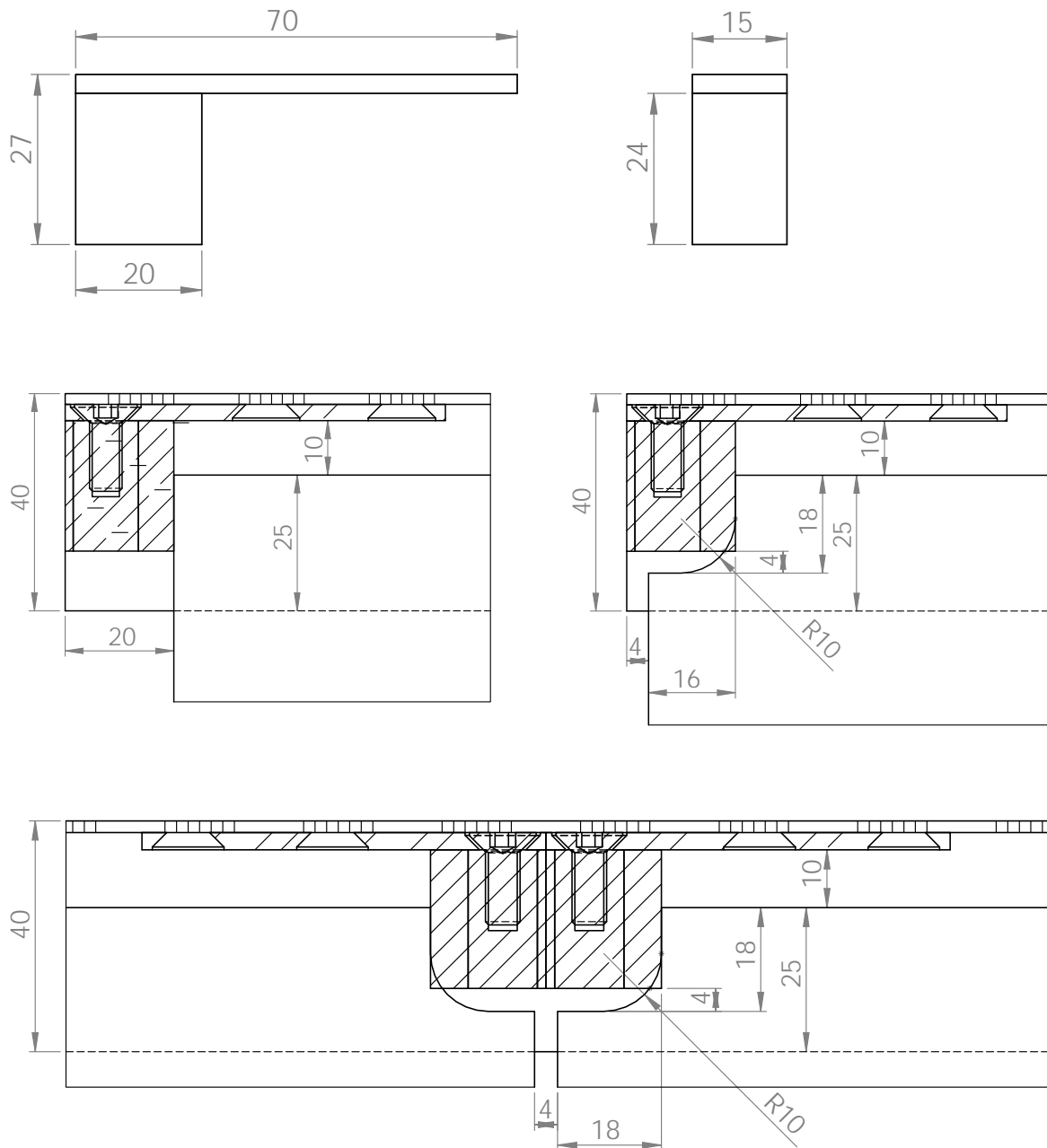
diameter 120 mm

page 4

# technical drawings

stainless steel roll fitting for sliding doors  
 astec b.410 - eingetr. no. 202 19 810.3 german patent office

11.11.2011



**art.no. 9.08.37**

end stop in alu u-profile 40/20 mm