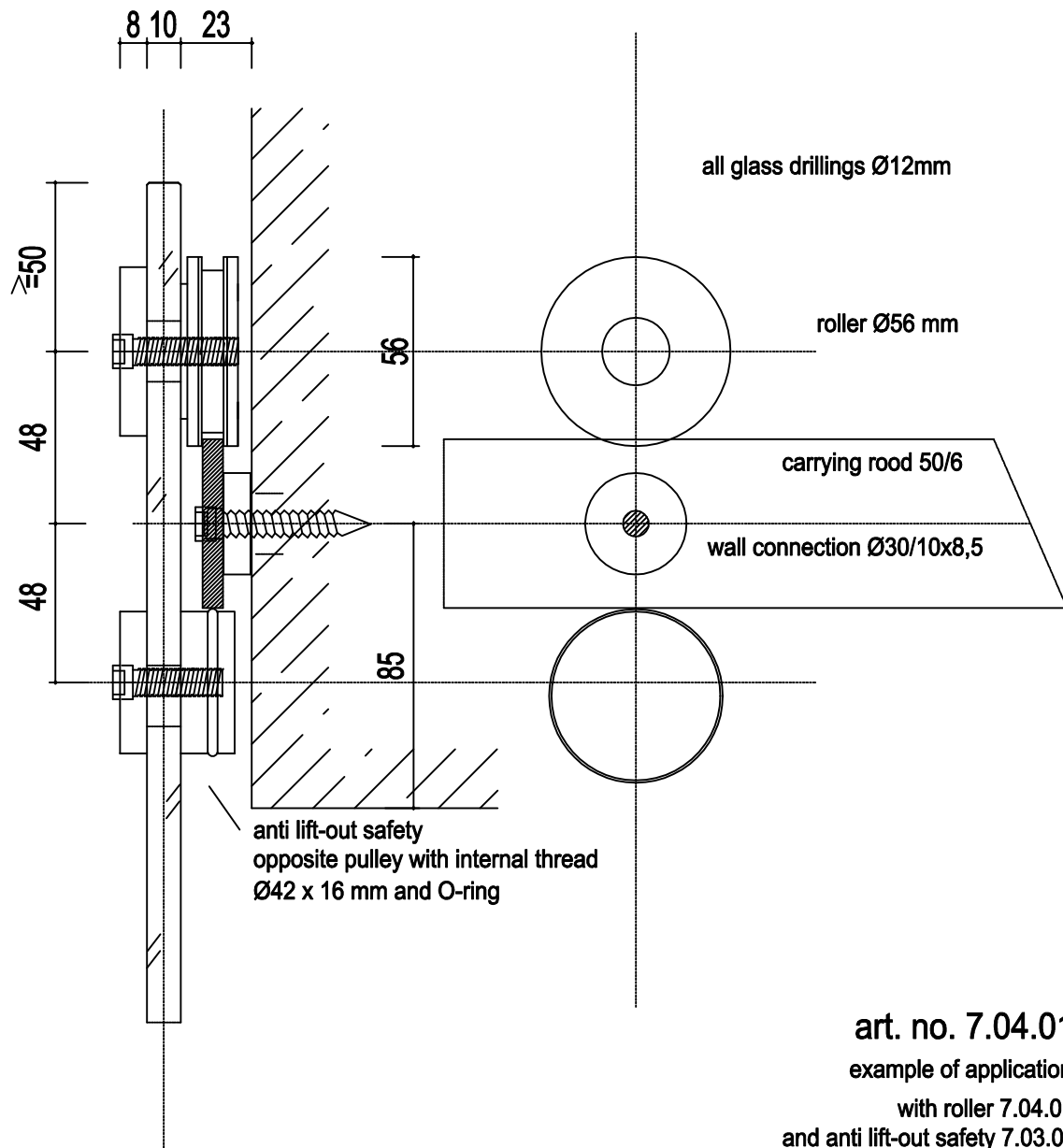


technical drawings

stainless steel fitting for sliding doors with flat supporting rail
astec b.700

01.03.2008

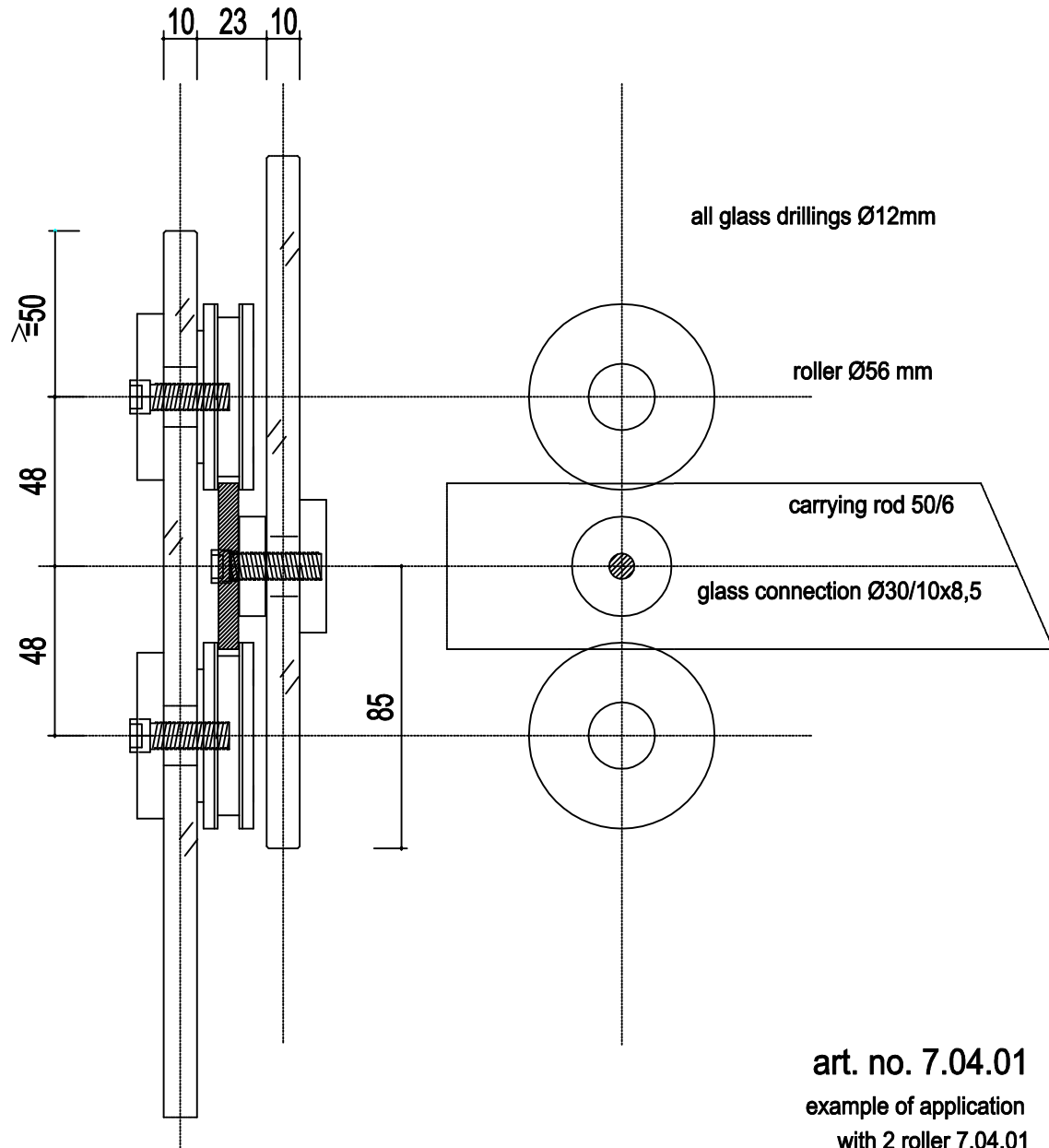


art. no. 7.04.01
example of application
 with roller 7.04.01
 and anti lift-out safety 7.03.01
 wall assembly

technical drawings

stainless steel fitting for sliding doors with flat supporting rail
astec b.700

01.03.2008

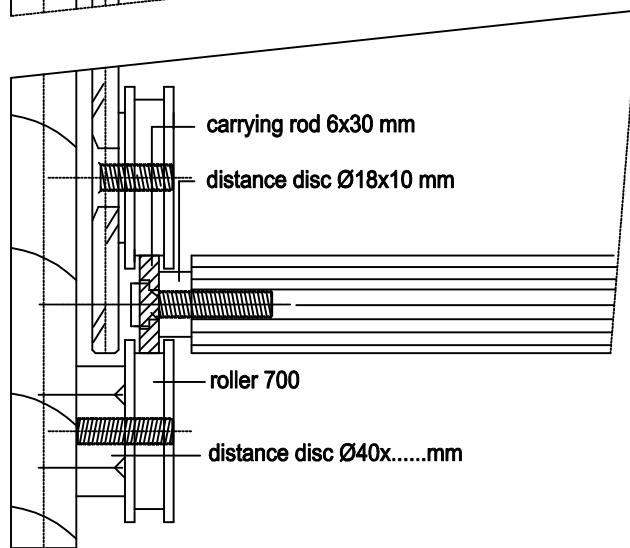
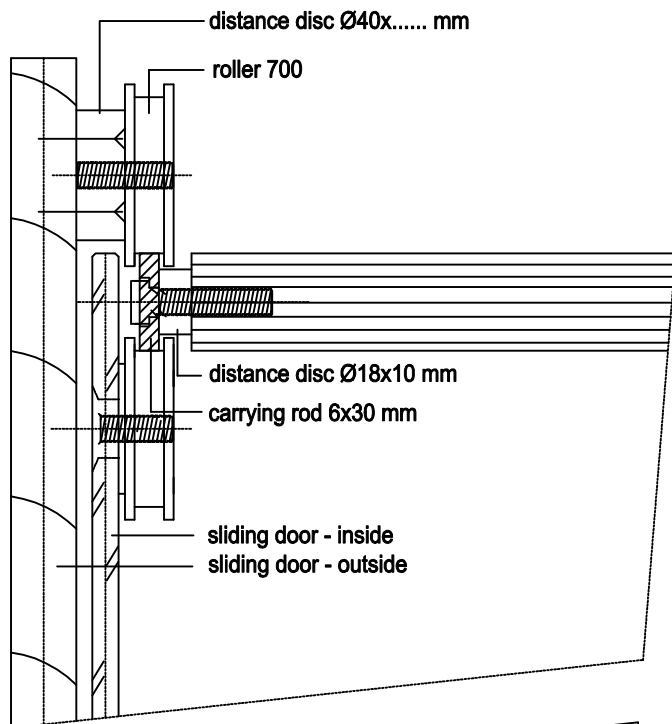


art. no. 7.04.01
example of application
with 2 roller 7.04.01
glass assembly

technical drawings

stainless steel fitting for sliding doors with flat supporting rail
astec b.700

01.03.2008



example of use
wall cupboard
with two doors
running upon each other

