

assembly instructions

stainless steel sliding door fittings with flat supporting rail astec b.700

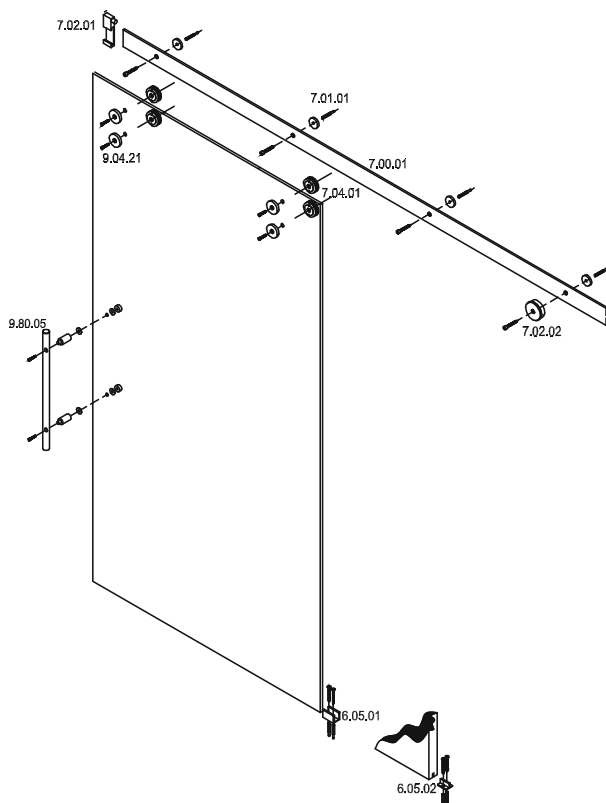
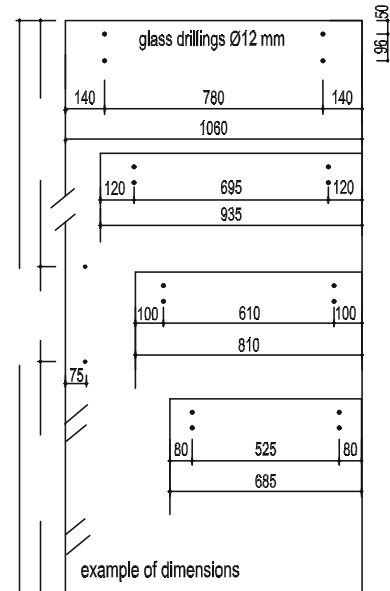
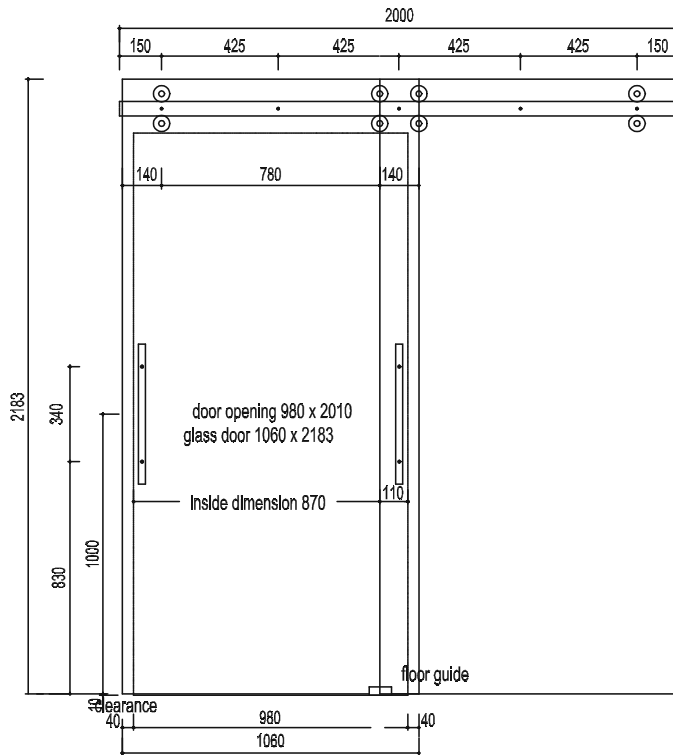
01.03.2008

- step 1** make sure that all parts necessary for installation have been supplied and are available. check whether skirting boards, light switches, doorcases or suchlike project into the door area! door leaf must be freely displaceable. besides a drilling machine you only need a crosstip screwdriver and an allan key of sizes 5 and 6 mm.
- step 2** align supporting rail on subsurface and draw on drilling holes. there should be a distance from floor to door leaf of at least 5 - 8 mm. in case of dowel fastening underlay distance disks for wall fixing. check whether movable fastener can still be moved after mounting if necessary slide it on supporting rail when mounting it and align it.
- step 3** fix rollers to the door leaf. **in case of glass door panes please take care that pvc disks are inserted between metal and glass.**
- step 4** attach door with rollers on supporting rail.
- step 5** mount anti-lift out security (2. roll, alternatively disks with o-ring) and fix tightly.
- step 6** mount fastener (insert disc-shaped fastener in existing fixing hole of supporting rail) adjust clamping fasteners in such a way that overlap in closed state is balanced to opening. In open state recessed grip or handle bar should easily be reached for opening and closing of door.
- step 7** avoid drilling dust. use suction units. stainless steel surfaces are sensitive. take care. clean surfaces at the end of installation work with stainless steel preservative spray.

assembly instructions

example of dimensions
astec b.700

01.03.2008



- 7.00.01 carrying rod 700
- 7.01.01 wall connection
- 7.02.01 fixed fastener
- 7.02.02 contact 700 fixed
- 7.04.01 roller 700
- 9.04.21 opposite pulley step drill hole dia. 50/8mm

care and maintenance details

for stainless steel fittings

01.03.2008

design fittings made of stainless steel are made of rustproof stainless steel. the solid stainless steel V2A rustproof (material no. 1.4301) is precisely manufactured and of first class quality. especially the decorative surfaces are manufactured very extensively by grinding them and then finely brush them.

although stainless steel doesn't corrode under usual conditions in the atmosphere it is however essential to constantly maintain and care for the stainless steel products in order to maintain a nice and decorative surface as well as to ensure its hygienic features.

for regular care please use a usual stainless steel preservative spray . these sprays can be obtained from different manufacturers or can be bought in hardware stores or in specialized trade shops.

apply this cleaning agent with a soft cloth on the stainless steel surfaces and wipe off stain like oil, dirt or sweat etc. finish and polish with a dry cloth, then you can be sure to have a nice and good like stainless steel fitting for many years. please absolutely avoid any scratching, rubbing cleansers or tools.

as a matter of principle ball bearings of the rollers are sealed and life-long lubricated. wipe the polyamide rollers with a damp cloth. dust and other dirt from the air can cause coating at the rolls which results in unease running resp. blocking of the rolls. with roll fittings, the floor guides are to be cleaned regularly with a vacuum cleaner in order to clean particularly from rough dirt. small stones or other firm dirt are crashed by the runners or are pressed into the smooth polyamide or wood of the floor guide, both result in unease running or disturbing noise.

as a matter of principle, whenever runners don't run easily or cause noise, please check whether screws are fixed tight enough. please always use new tools for it, so that interior forms of screws do not get damaged, as they too, are a decorative part of the fittings. from time to time please also check whether fasteners are still tight enough and also if they are still at the correct position. likewise also the floor guide has to be checked whether it is still tight as well as the anti-lift out security.

your stainless steel fitting are grateful for being taken care of, and show this by long durability, good operation and an always nice and precious look.