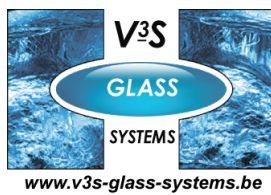
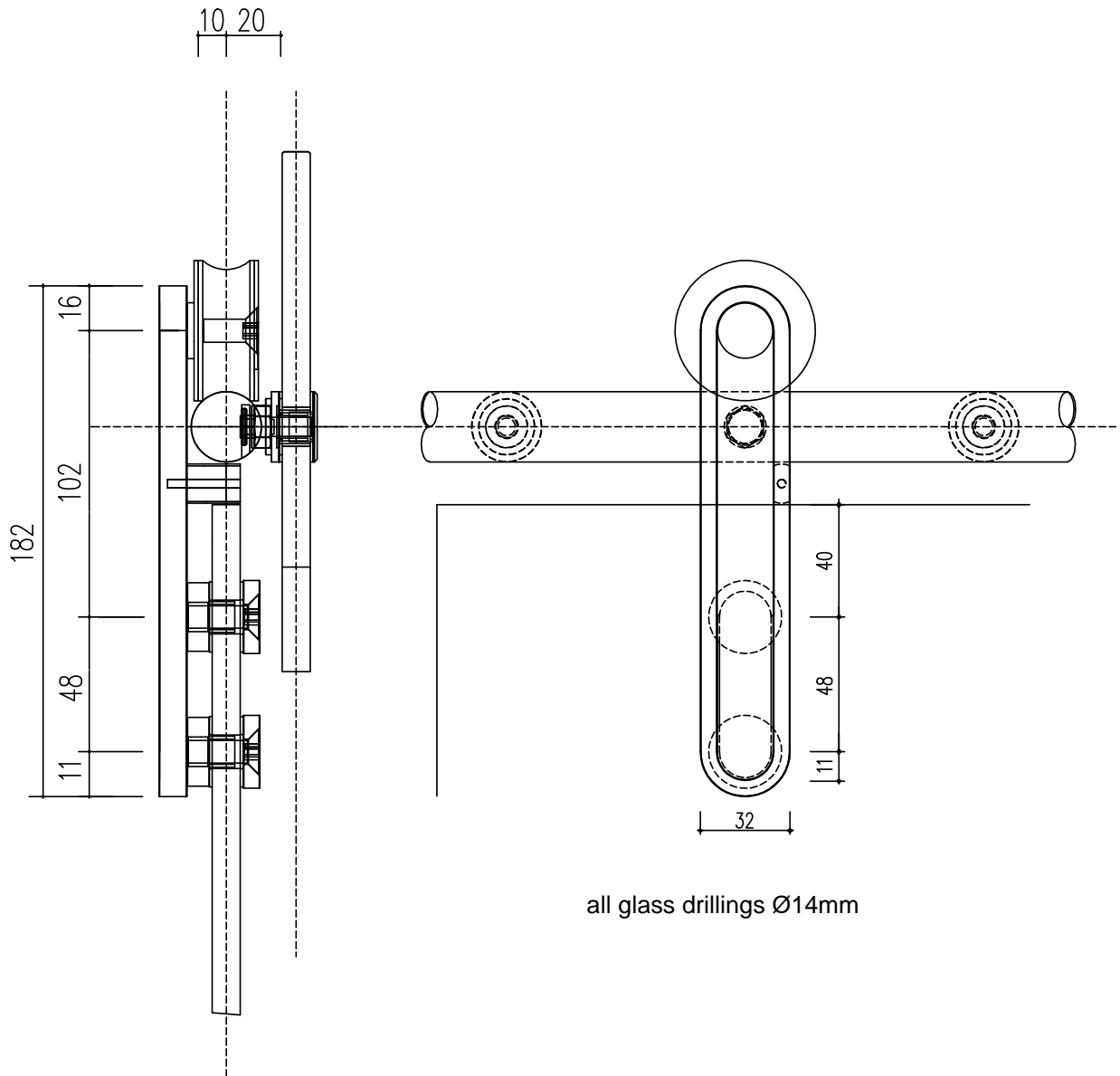


technical drawings

stainless steel fitting for sliding doors with round carrying rod
astec b.800

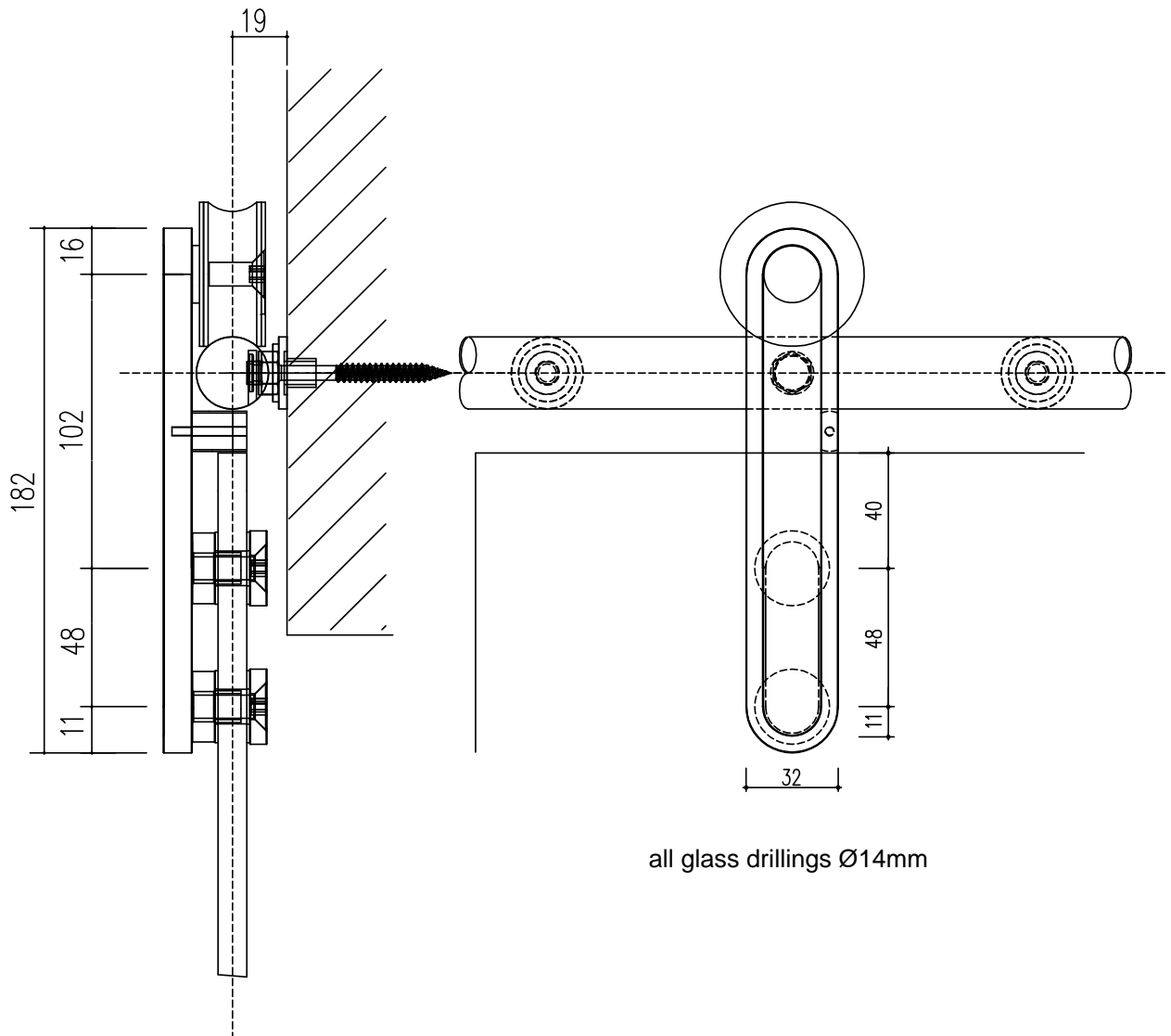
26.05.2009



b.800

example of application

glass assembly



b.800

example of application

wall assembly