

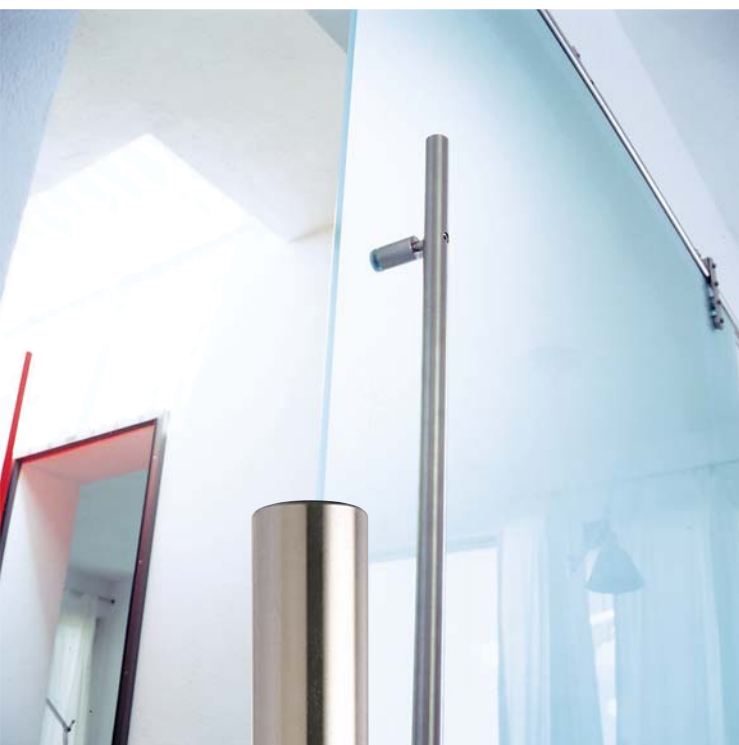


edelstahl design beschlaege

z u b e h o e r

## passendes zubehoer aus edelstahl

*matching accessories made of stainless steel*



astec bietet fuer eine gute gesamtloesung auch das passende zubehoer. darunter verschiedene edelstahl-griffe wie griffstangen, griffmuscheln oder -knoepfe in verschiedenen ausfuehrungen und laengen. weiteres zubehoer rund um die tuere - wie tuerstopper und tuerschloss - sowie erforderliche montageteile komplettieren das angebot. alle oberflaechen sind fein gebuerstet.



*astec also offers the matching accessories for a good complete solution. this comprises various stainless steel handles, such as handle bars, recessed grips or knobs of different designs and lengths. further accessories around the door - such as door stoppers and door locks - as well as the necessary mounting parts complete the offer. all surfaces are finely brushed.*

griffmuschel und griffknopf  
auf glas. laufrolle 600  
rueckseitig auf holztuerblatt.  
linke seite: griffstangen  
waagrecht oder senkrecht,  
ein- oder beidseitig in  
verschiedenen laengen.

*flush pull and knob on glass.  
castor 600 backside on  
timber door leaf.  
left-hand side: handle bars  
horizontally or vertically,  
on one or both sides in  
different lengths.*



**griffstange**

drm 25 mm edelstahl, feingeschliffen  
 unterschiedliche laengen, ein- u. beidseitig  
 siehe technische zeichnung und preisliste

**pull handle**

*dia 25 mm stainless steel, precision-ground  
 different lengths, bolt through fixing and  
 back to back fixing see technical drawing and price list*

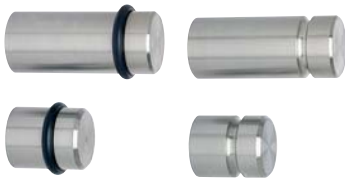


**griffmuschel**

edelstahl massiv fuer glas- und holztueren  
 siehe technische zeichnung und preisliste

**flush pull**

*solid stainless steel for glass and timber doors  
 see technical drawing and price list*



**griffknopf**

25 x 60 mm ein- u. beidseitig, mit und ohne schw. gummiring  
 verschiedene ausfuehrungen  
 siehe technische zeichnung und preisliste

**handle knob**

*25 x 60 mm bolt through fixing and  
 back to back fixing, black rubber ring,  
 different designs  
 see technical drawing and price list*



**eckchloss**

fuer glastueren, 100 x 70 mm, 8-10 mm glasstaerke  
 art. nr. 9.90.01

**corner lock**

*for glass doors, 100 x 70 mm, 8-10 mm glass thickness  
 art. no. 9.90.01*



**rundschloss**

fuer glastueren, drm. 50 mm, mit druckdrehzylinder  
 art. nr. 9.90.02

**round lock**

*for glass doors, dia. 50 mm, with push-and-turn cylinder  
 art. no. 9.90.02*



**tuerstopper**

art. nr. 50.00.02 drm. 80 mm/hoehe 70 mm/2,6 kg  
 art. nr. 50.00.01 drm. 80 mm/hoehe 35 mm/1,3 kg

**door stopper**

*art. no. 50.00.02 dia. 80 mm/height 70 mm/2.6 kg  
 art. no. 50.00.01 dia. 80 mm/height 35 mm/1.3 kg*





**winkel**

art. nr. 8.00.01 glashalter glas-glas  
art. nr. 8.00.02 glashalter glas-wand

**angle**

art. no. 8.00.01 glass holder glass-glass  
art. no. 8.00.02 glass holder glass-wall



**klemhalter**

art. nr. 8.00.03 fuer 10 mm glasstaerke  
art. nr. 8.00.05 fuer 12 mm glasstaerke

**clamp holder**

art. no. 8.00.03 for 10 mm glass thickness  
art. no. 8.00.05 for 12 mm glass thickness



**glashalter**

flachverbinder 150/50 mm  
art. nr. 8.00.04

**glass holder**

flat connector 150/50 mm  
art. no. 8.00.04



**gegenscheibe**

40/8 mm bohr. M8  
art. nr. 9.04.03

**opposite pulley**

40/8 mm bore M8  
art. no. 9.04.03



**u-scheibe**

25 x 20/9 mm  
art. nr. 9.04.23  
auch andere staerken  
und drm. lieferbar

**washer**

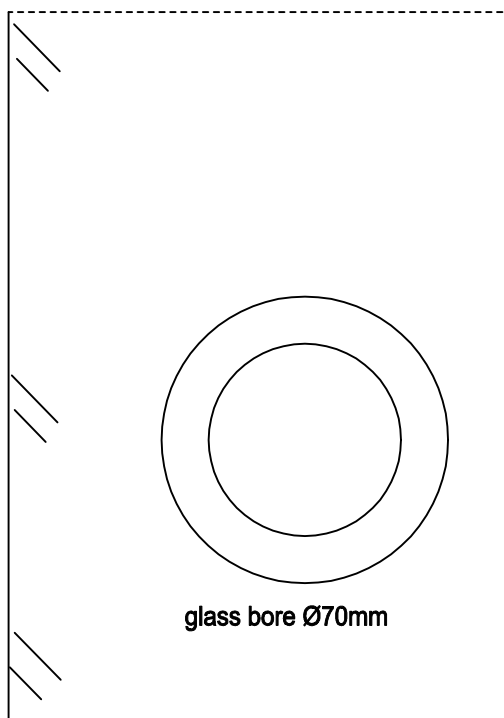
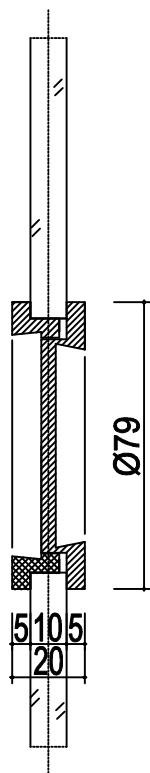
25 x 20/9 mm  
art. no. 9.04.23  
other thicknesses and dia.  
also available



weitere aktuelle artikel  
zu zubehoer, accessoires  
sowie komponenten  
auch im internet unter  
**www.astec-design.de.**

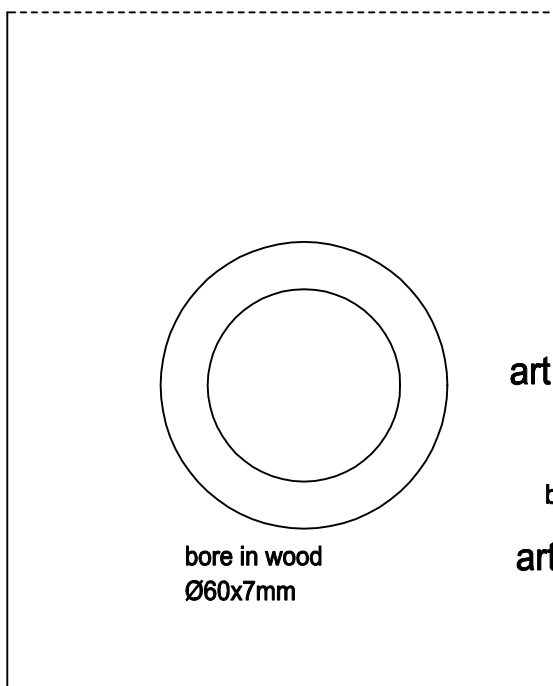
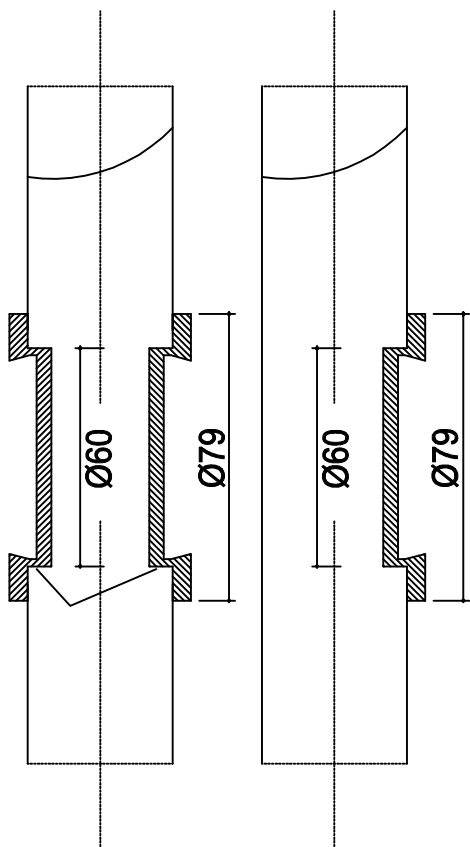
further current articles  
for accessories  
as well as components  
also available in  
the internet under  
**www.astec-design.de.**





**art. no. 9.80.27**

flush pull  
glass door

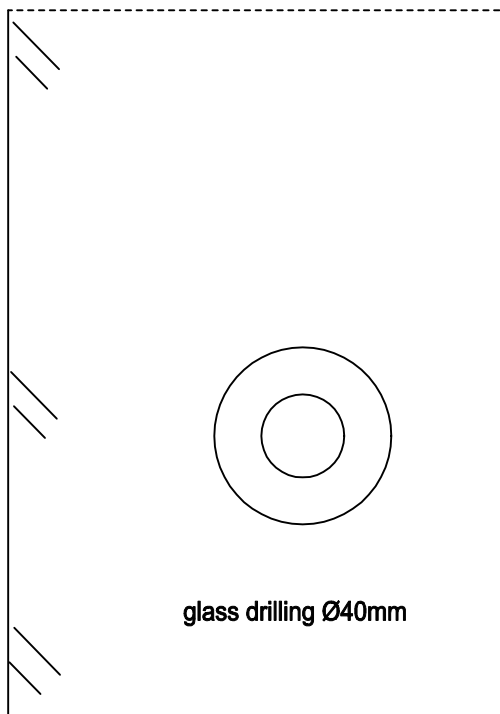
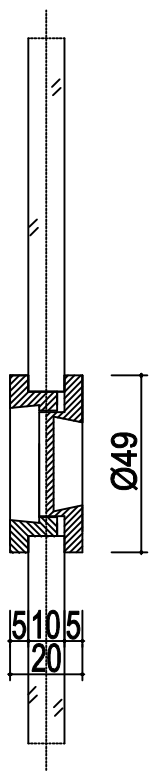


**art. no. 9.80.30**

flush pull  
timber door  
back to back fixing

**art. no. 9.80.31**

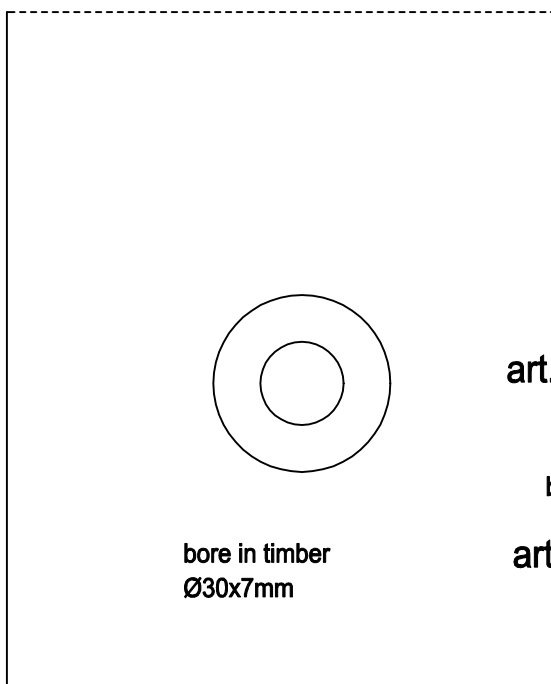
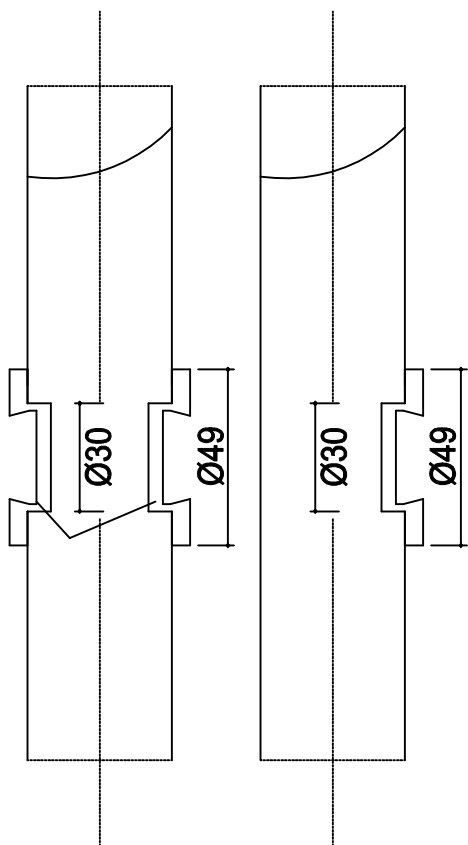
flush pull  
timber door  
bolt through fixing



glass drilling Ø40mm

art. no. 9.80.34

flush pull  
glass door



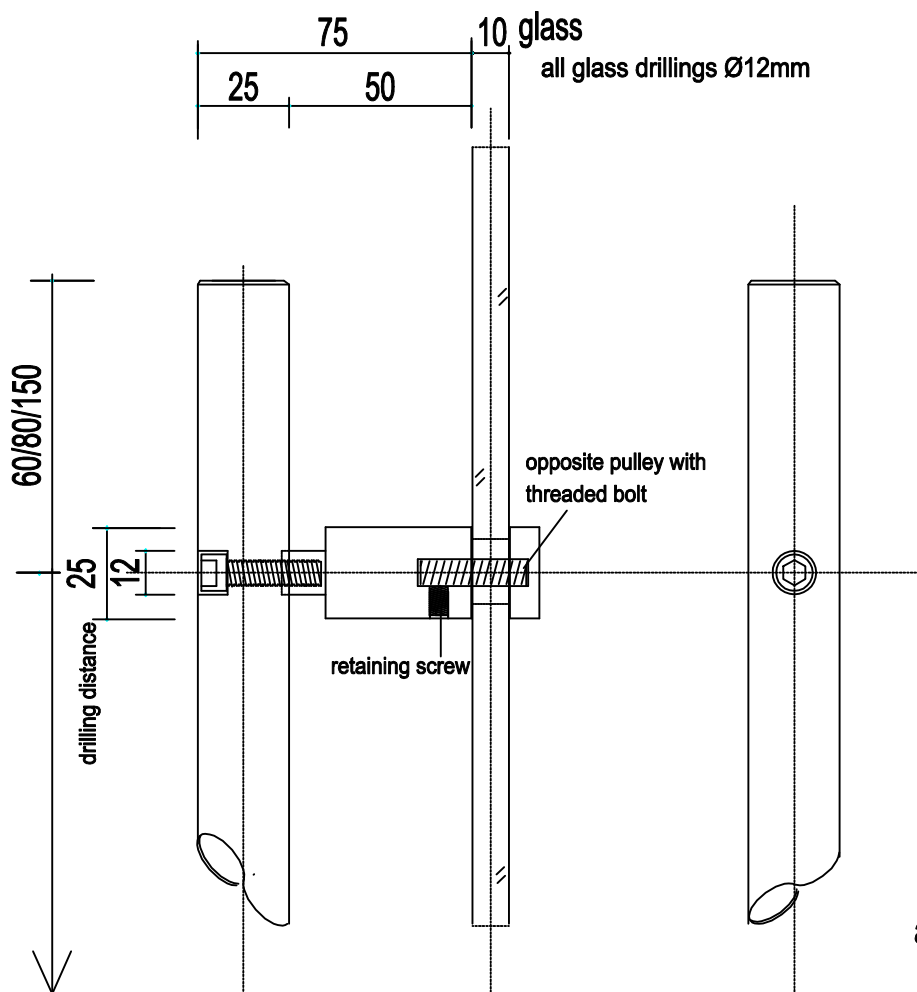
bore in timber  
Ø30x7mm

art. no. 9.80.35

flush pull  
timber door  
back to back fixing

art. no. 9.80.36

flush pull  
timber door  
bolt through fixing



**art. nr. 9.80...**

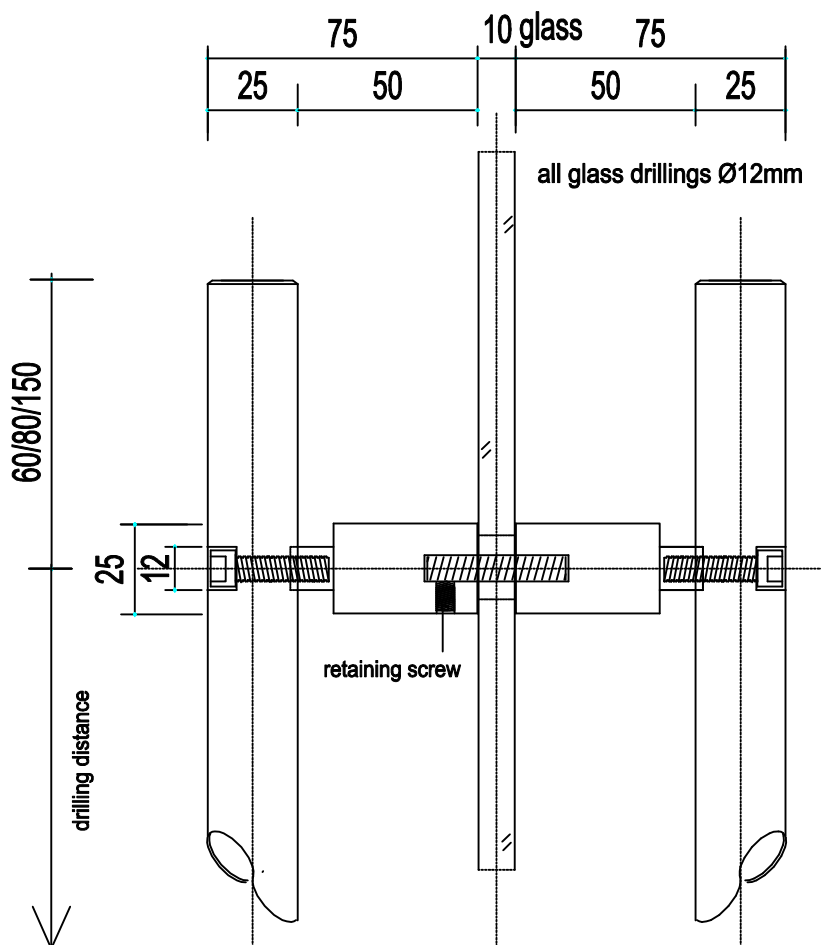
**pull handle  
bolt through fixing  
for 10mm glass**

**for timber doors please  
indicate thickness of door leaf**

**pull handle versions**

art.no.	9.80.03	- length	300 mm,	drilling distance	180 mm
	9.80.05	- length	500 mm,	drilling distance	340 mm
	9.80.07	- length	750 mm,	drilling distance	590 mm
	9.80.09	- length	1000 mm,	drilling distance	700 mm
	9.80.11	- length	1250 mm,	drilling distance	950 mm
	9.80.13	- length	1500 mm,	drilling distance	600+600 mm
	9.80.15	- length	1750 mm,	drilling distance	725+725 mm
	9.80.17	- length	2000 mm,	drilling distance	850+850 mm



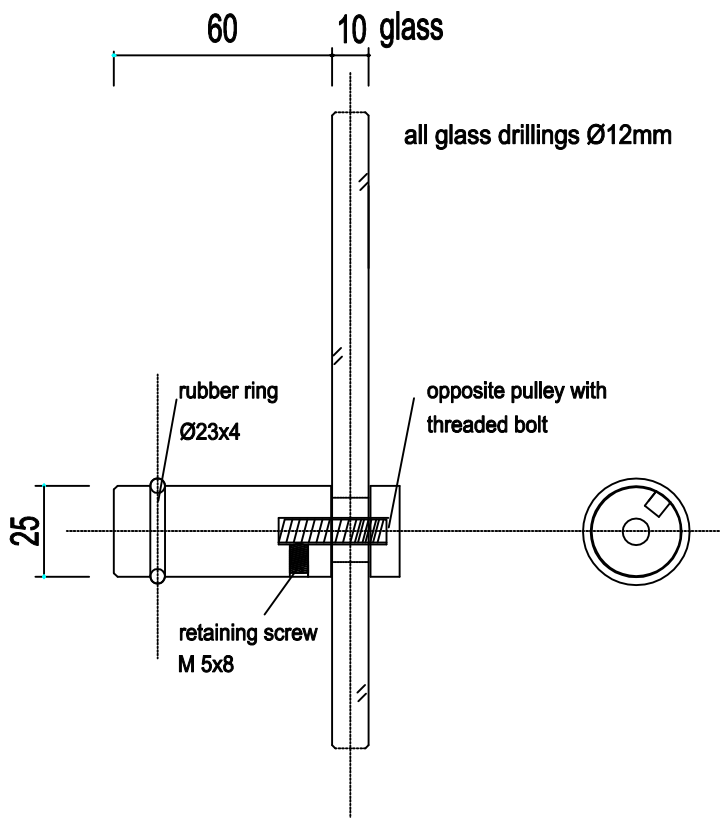


art. no. 9.80...

pull handle  
back to back fixing  
for 10mm glass  
for timber doors please  
indicate thickness of door leaf

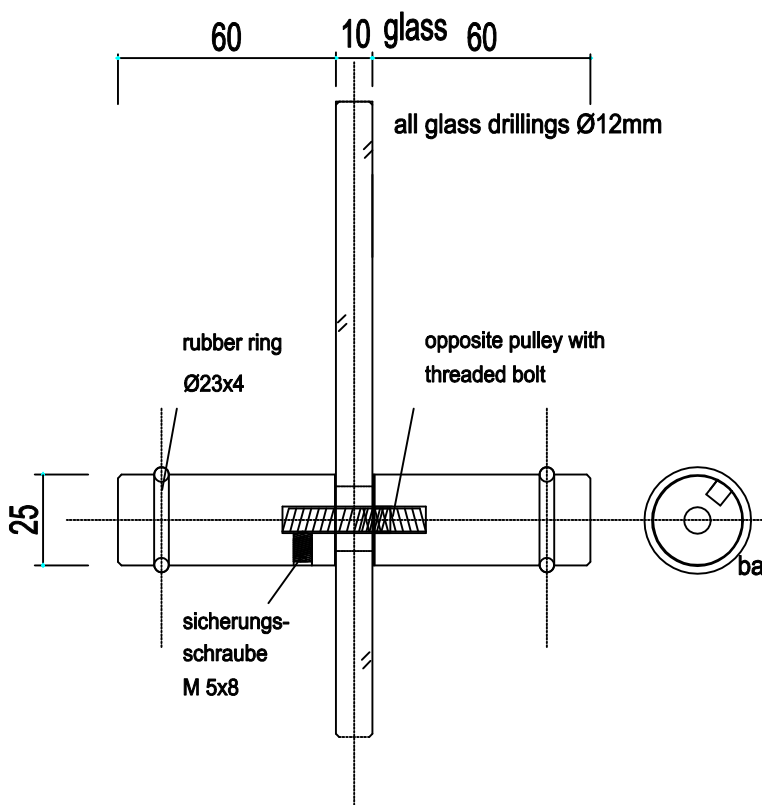
pull handle versions

art.no.	9.80.04	- length	300 mm	, drilling distance	180 mm
	9.80.06	- length	500 mm	, drilling distance	340 mm
	9.80.08	- length	750 mm	, drilling distance	590 mm
	9.80.10	- length	1000 mm	, drilling distance	700 mm
	9.80.12	- length	1250 mm	, drilling distance	950 mm
	9.80.14	- length	1500 mm	, drilling distance	600+600 mm
	9.80.16	- length	1750 mm	, drilling distance	725+725 mm
	9.80.18	- length	2000 mm	, drilling distance	850+850 mm



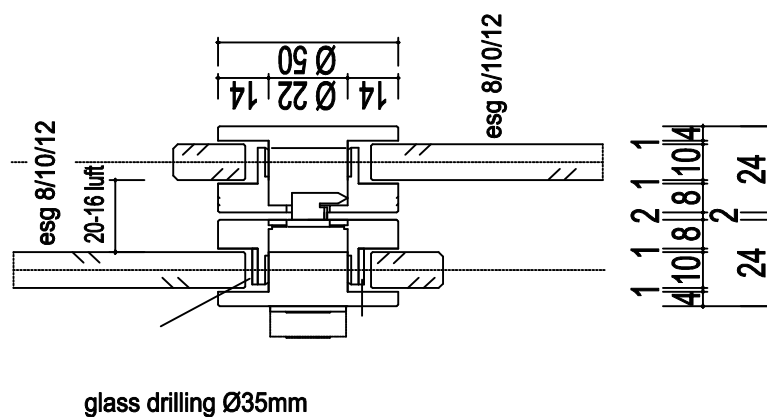
**art. no. 9.80.01**  
 handle knob Ø25x60  
 bolt through fixing 10 mm glas  
 for timber doors please  
 indicate thickness of door leaf

or Ø25x35 art.no. 9.80.25  
 Ø25x30 art.no. 9.80.23  
 Ø32x35 art.no. 9.80.19  
 Ø15x20 art.no. 9.80.21

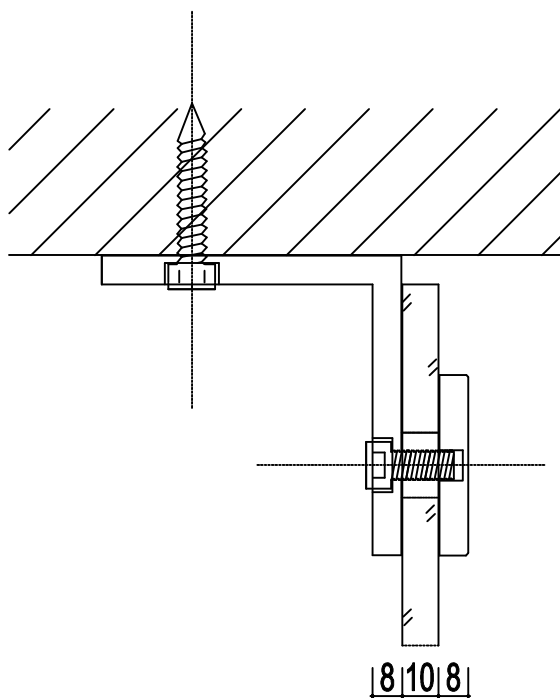
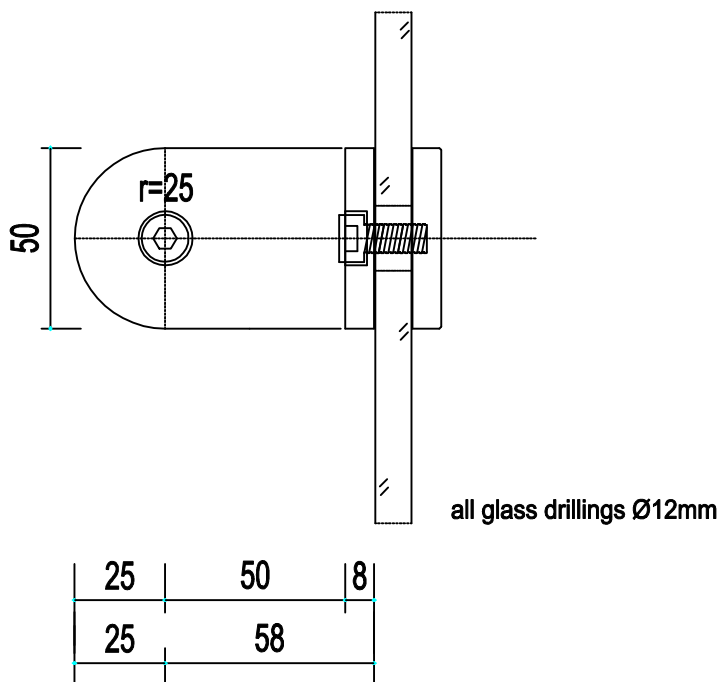


**art. no. 9.80.02**  
 handle knob Ø25x60  
 back to back fixing for 10 mm glas  
 for timber doors please  
 indicate thickness of door leaf

or Ø25x35 art.no. 9.80.26  
 Ø25x30 art.no. 9.80.24  
 Ø32x35 art.no. 9.80.20  
 Ø15x20 art.no. 9.80.22

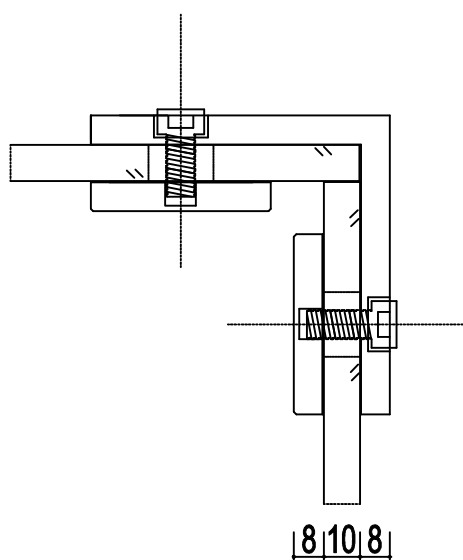
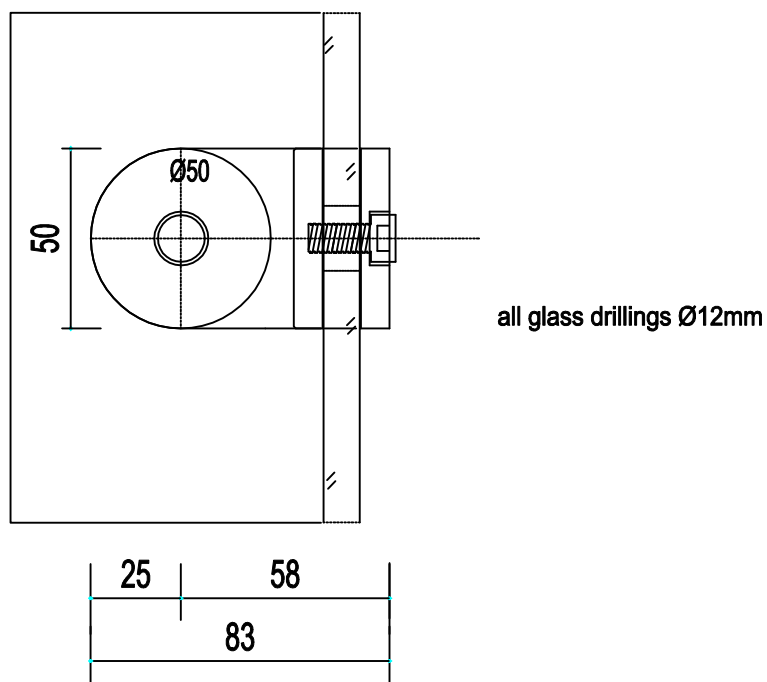


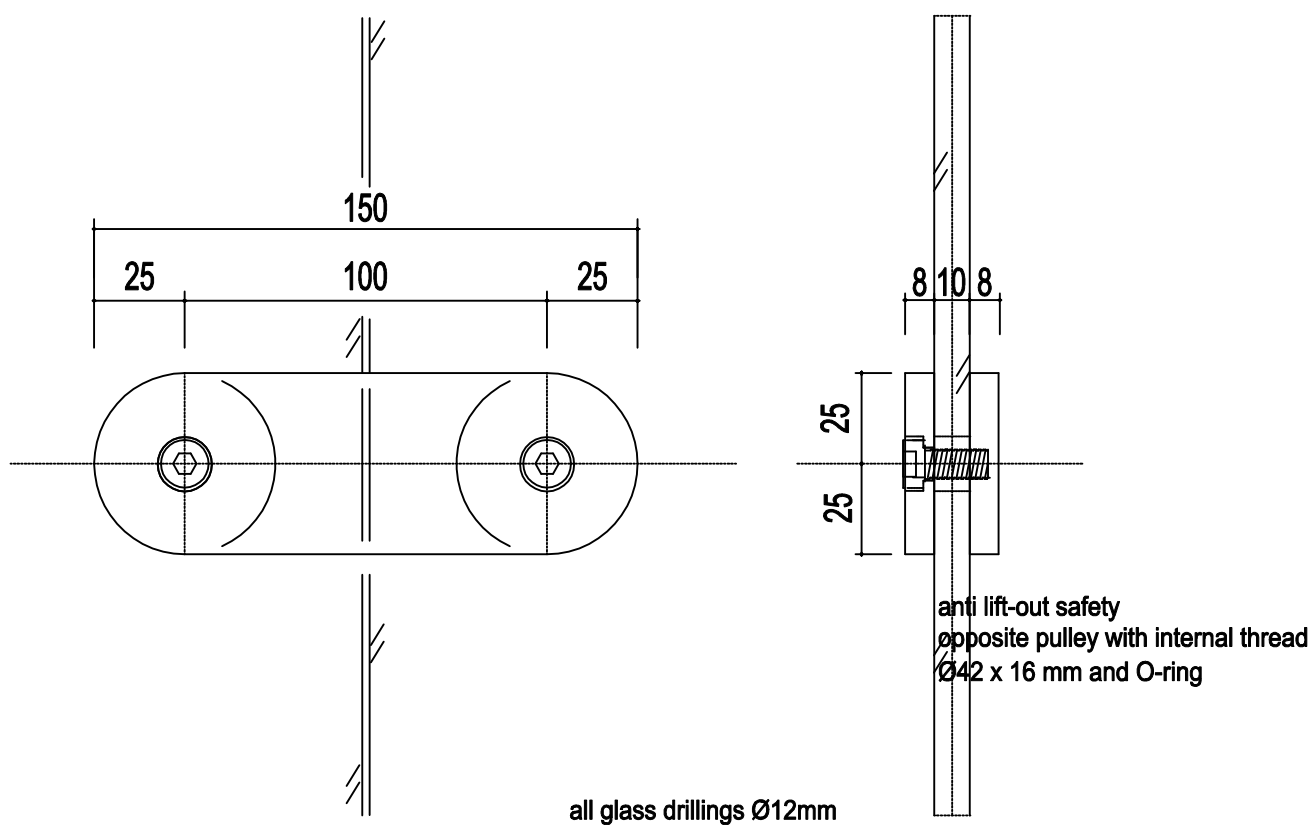
**art. no. 9.90.02**  
 round lock  
 pressure-rotary cylinder  
 please indicate thickness of door leaf



art. no. 8.00.02

wall angle





**art. no. 8.00.04**  
flat connector

