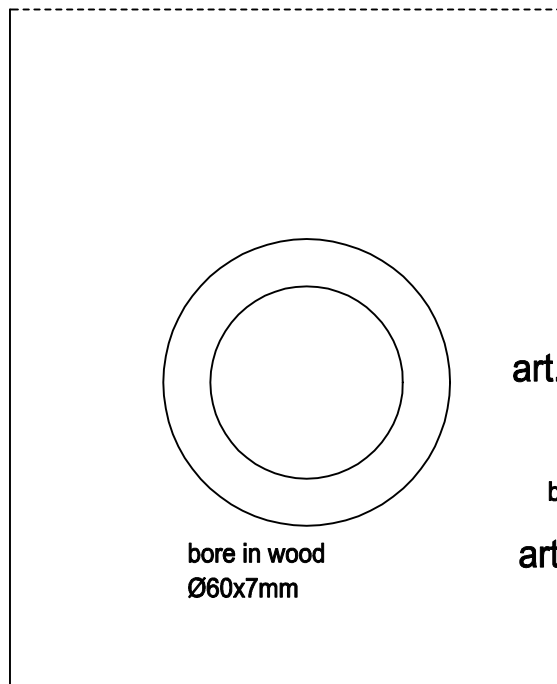
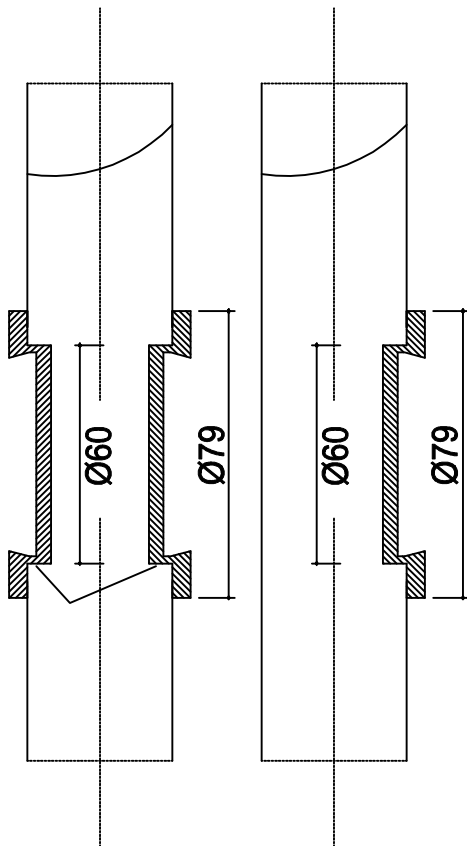


**art. no. 9.80.27**

flush pull  
glass door

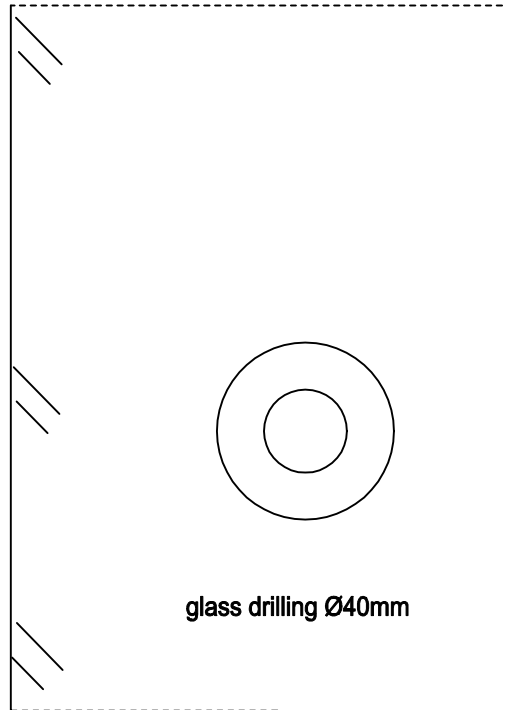
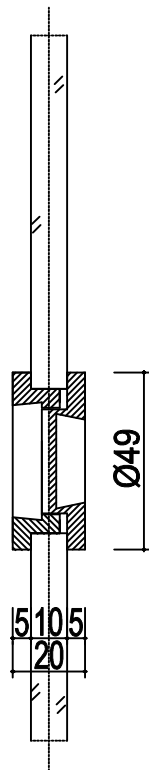


**art. no. 9.80.30**

flush pull  
timber door  
back to back fixing

**art. no. 9.80.31**

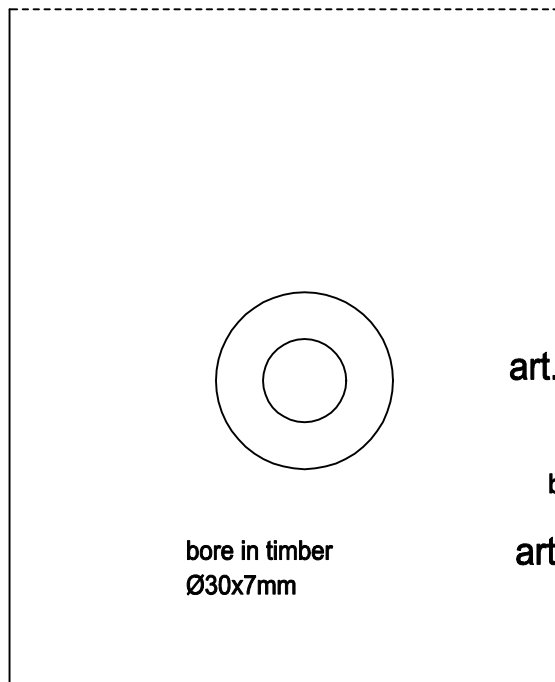
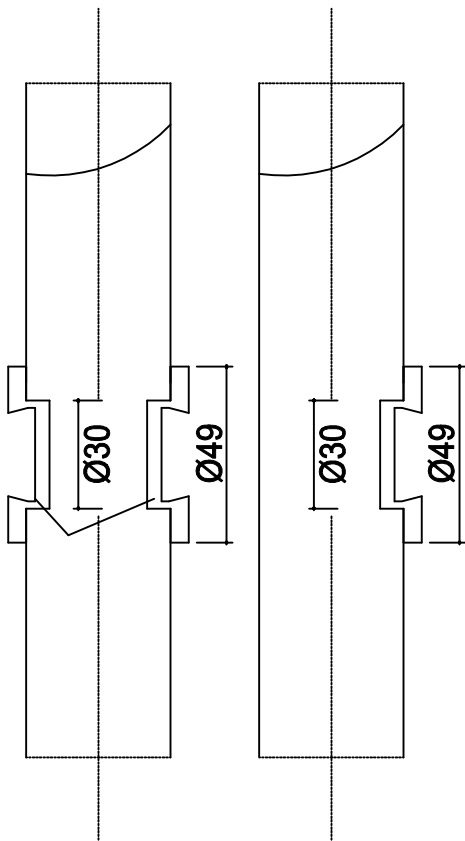
flush pull  
timber door  
bolt through fixing



glass drilling Ø40mm

**art. no. 9.80.34**

flush pull  
glass door



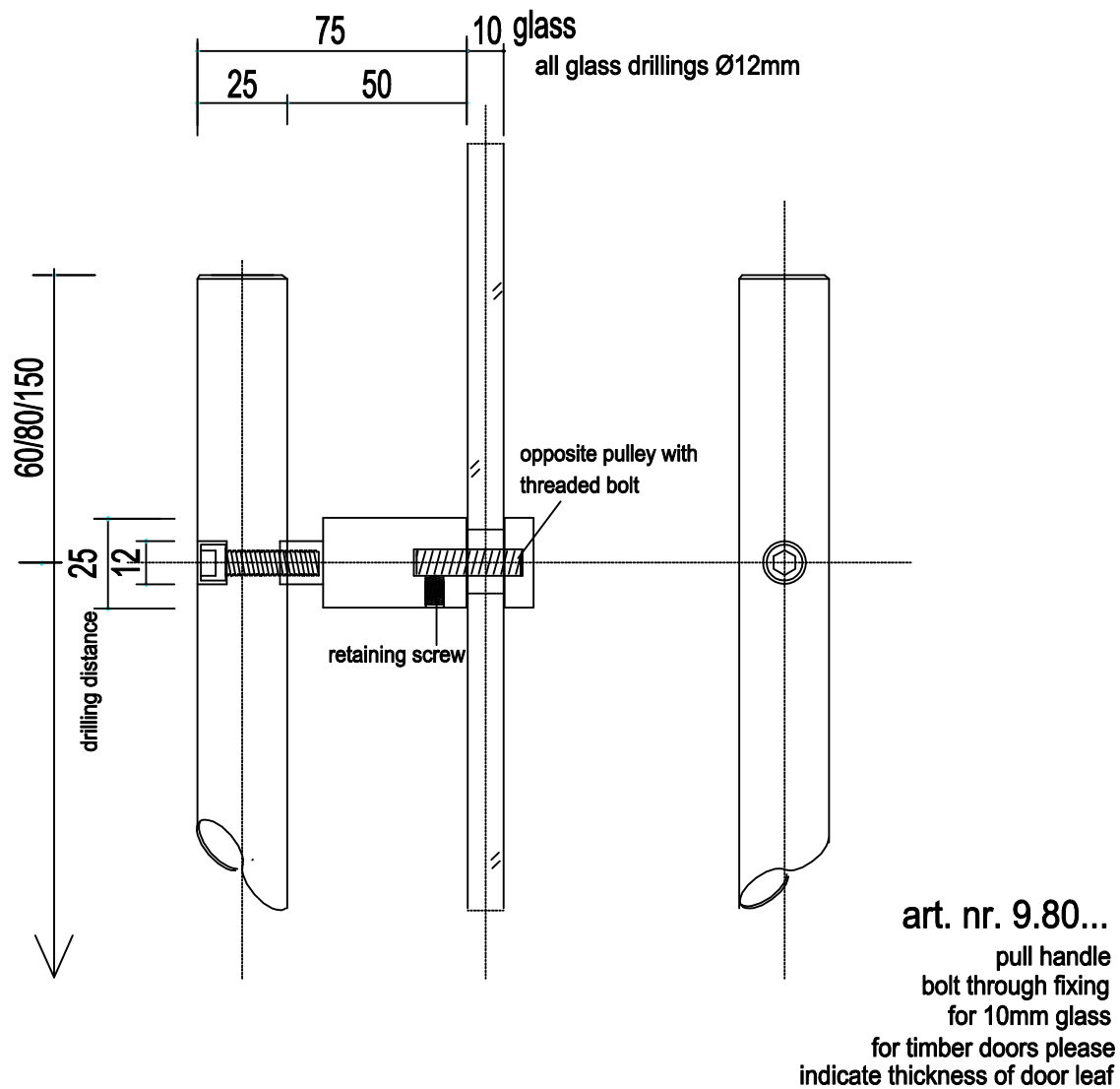
bore in timber  
Ø30x7mm

**art. no. 9.80.35**

flush pull  
timber door  
back to back fixing

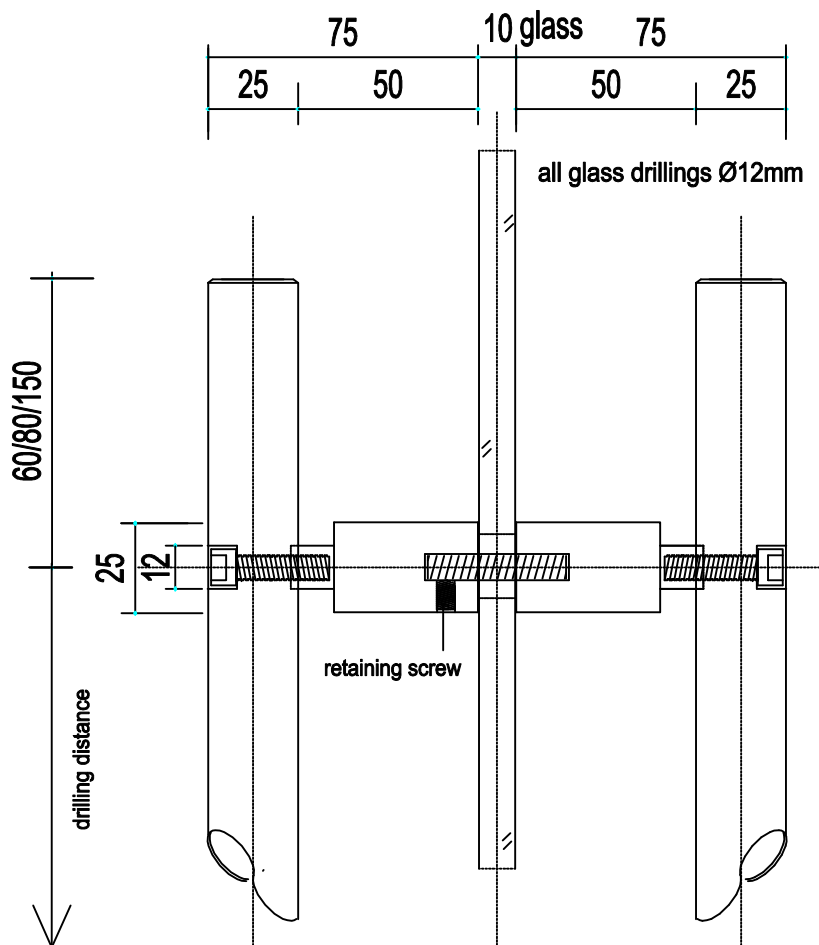
**art. no. 9.80.36**

flush pull  
timber door  
bolt through fixing



**pull handle versions**

art.no.	9.80.03	- length	300 mm	, drilling distance	180 mm
	9.80.05	- length	500 mm	, drilling distance	340 mm
	9.80.07	- length	750 mm	, drilling distance	590 mm
	9.80.09	- length	1000 mm	, drilling distance	700 mm
	9.80.11	- length	1250 mm	, drilling distance	950 mm
	9.80.13	- length	1500 mm	, drilling distance	600+600 mm
	9.80.15	- length	1750 mm	, drilling distance	725+725 mm
	9.80.17	- length	2000 mm	, drilling distance	850+850 mm

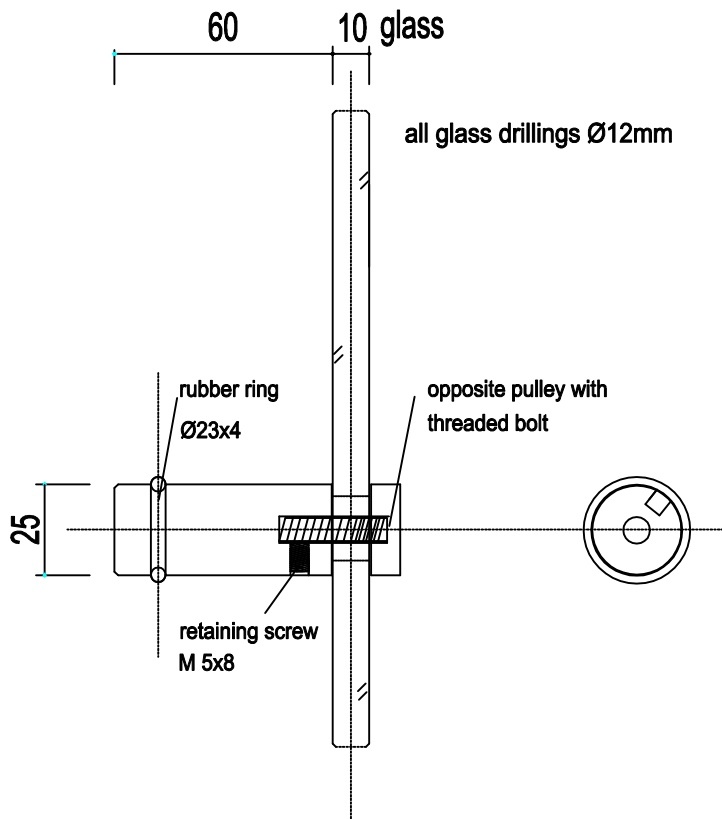


**art. no. 9.80...**

pull handle  
back to back fixing  
for 10mm glass  
for timber doors please  
indicate thickness of door leaf

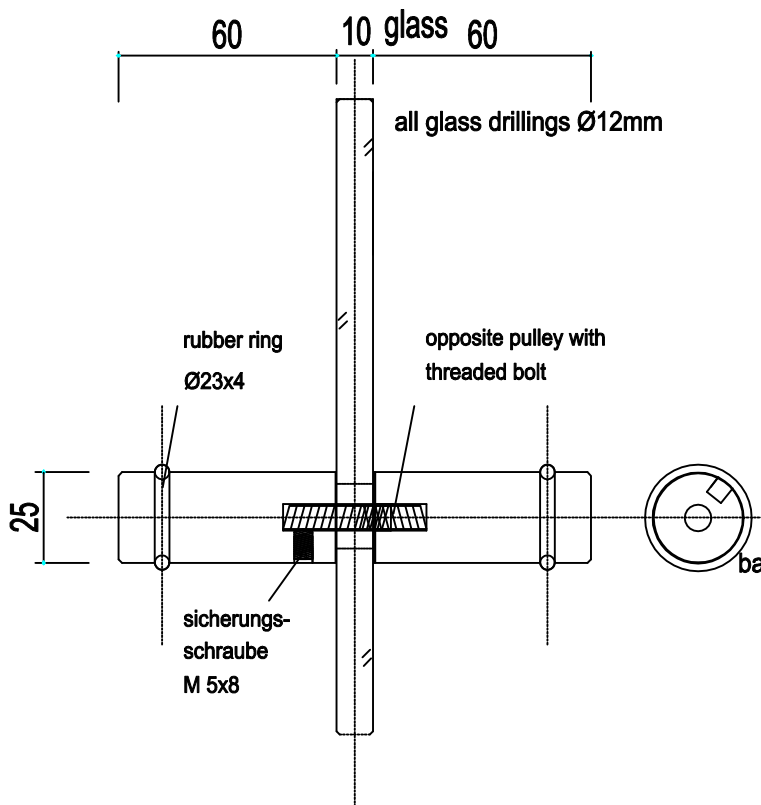
**pull handle versions**

art.no.	9.80.04	- length	300 mm,	drilling distance	180 mm
	9.80.06	- length	500 mm,	drilling distance	340 mm
	9.80.08	- length	750 mm,	drilling distance	590 mm
	9.80.10	- length	1000 mm,	drilling distance	700 mm
	9.80.12	- length	1250 mm,	drilling distance	950 mm
	9.80.14	- length	1500 mm,	drilling distance	600+600 mm
	9.80.16	- length	1750 mm,	drilling distance	725+725 mm
	9.80.18	- length	2000 mm,	drilling distance	850+850 mm



**art. no. 9.80.01**  
 handle knob Ø25x60  
 bolt through fixing 10 mm glass  
 for timber doors please  
 indicate thickness of door leaf

or Ø25x35 art.no. 9.80.25  
 Ø25x30 art.no. 9.80.23  
 Ø32x35 art.no. 9.80.19  
 Ø15x20 art.no. 9.80.21



**art. no. 9.80.02**  
 handle knob Ø25x60  
 back to back fixing for 10 mm glass  
 for timber doors please  
 indicate thickness of door leaf

or Ø25x35 art.no. 9.80.26  
 Ø25x30 art.no. 9.80.24  
 Ø32x35 art.no. 9.80.20  
 Ø15x20 art.no. 9.80.22