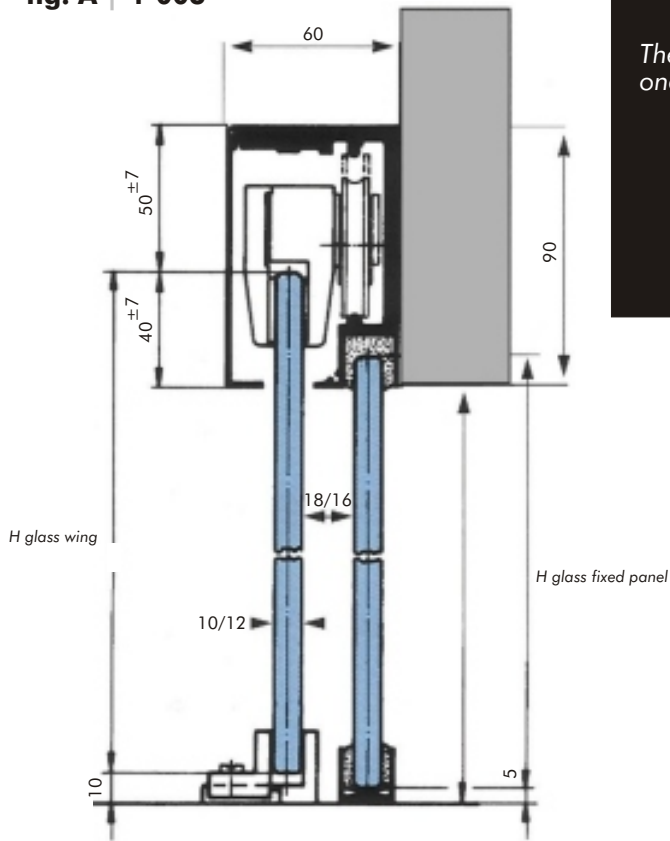
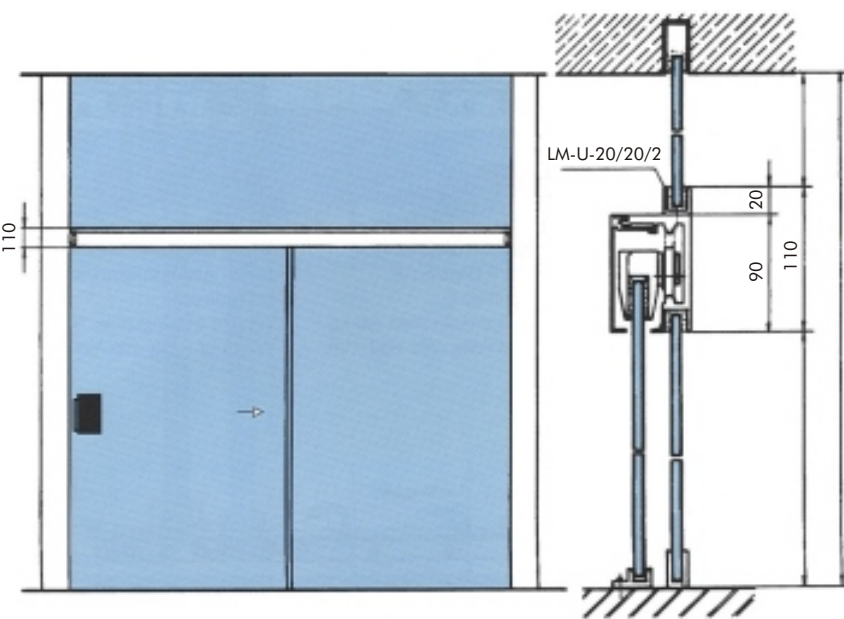
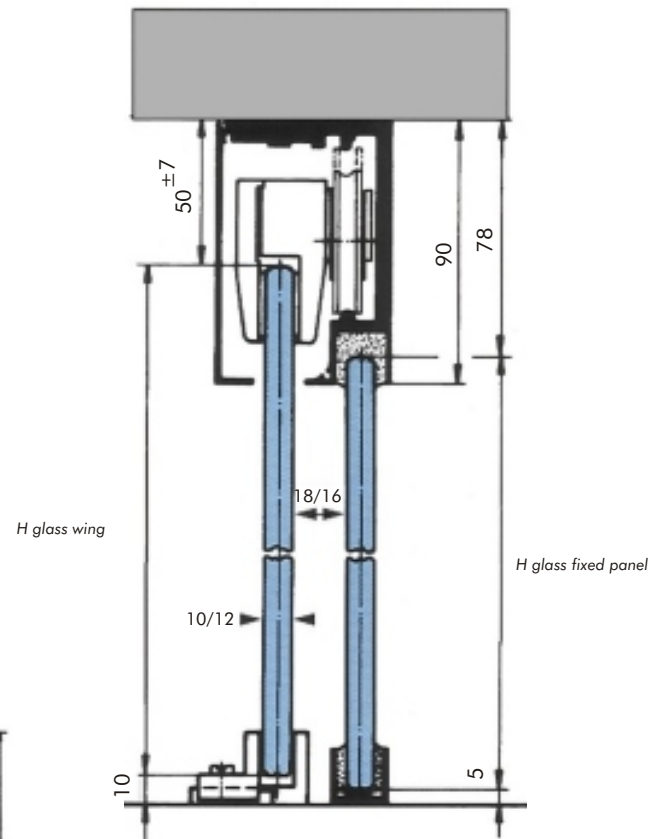


fig. A | 4-003



The upper runner rail has 2 fastening possibilities: one opposite to wall (fig.A) and one to ceiling (fig.B).

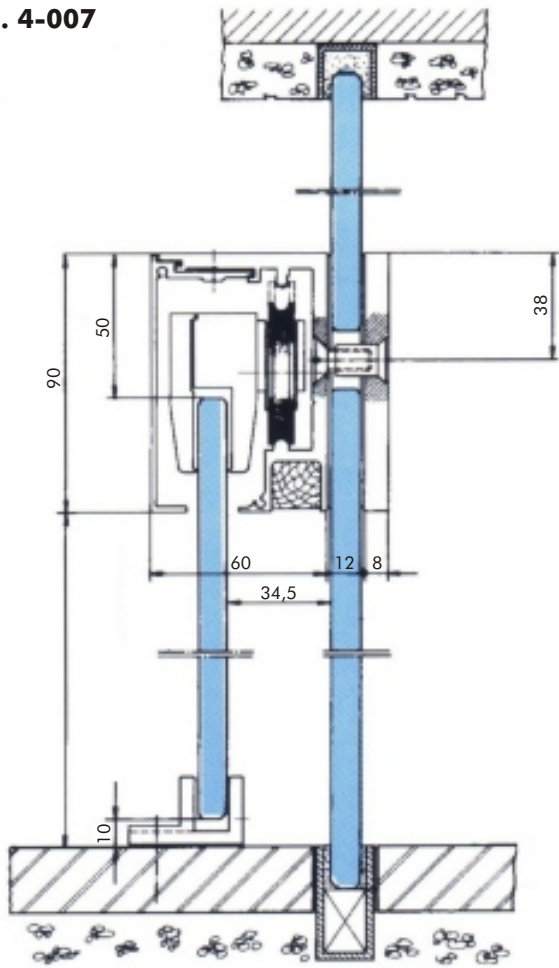
fig. B | 4-002



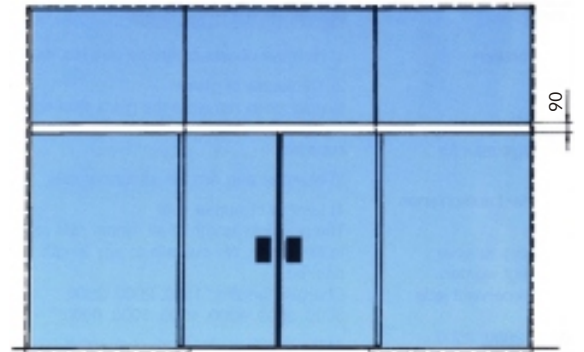
The upper runner rail can be provided with an U channel for over head transom holding and fixed to the side walls by using the corner fitting (art. 4-006).



fig. 4-007



Connection plate (4-007) for fixing the runner rail to the overpanel.



Brush seal.

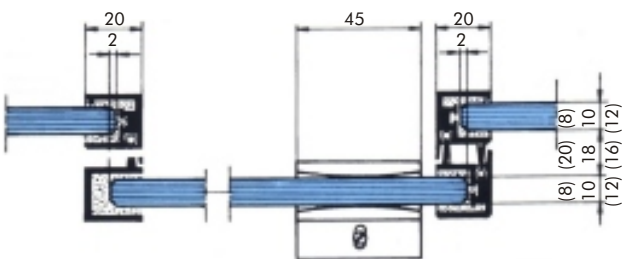


fig. 4-020

