

New



Designer hardware for transparent all-glass sliding doors

HAWA-Purolino 80



Sophisticated designer solution with concealed suspension for wall and ceiling installations

HAWA-Purolino 80

Technical specifications

Max. door weight	80 kg (176 lbs.)
Min. Door width	700 mm (2'3 ⁹ / ₁₆ ")
Glass thickness	
ESG	8/10/12/12,7 mm (⁵ / ₁₆ " / ¹³ / ₃₂ " / ¹⁵ / ₃₂ " / ¹ / ₂ ")
VSG	8 – 13 mm (⁵ / ₁₆ " – ¹⁷ / ₃₂ ")
Height adjustable	± 3 mm (¹ / ₈ ")

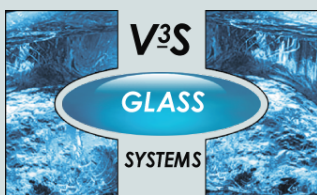
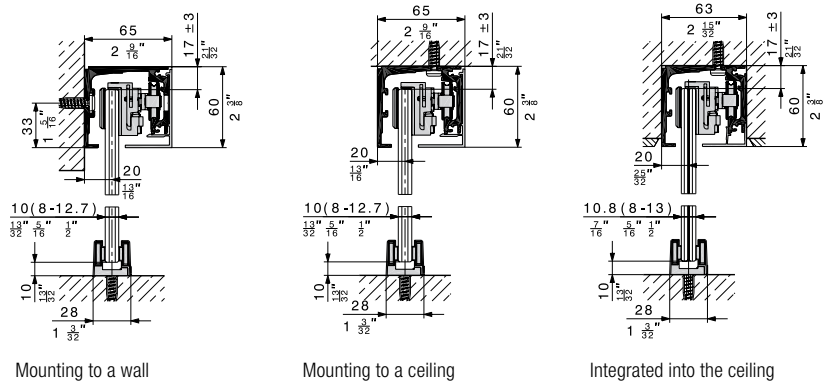
At a glance

- Suspension completely integrated into the top track for perfect transparency.
- Top track profile for mounting to wall or a ceiling or for integration into the ceiling – available in a plain anodised or a stainless steel effect finish.
- Patent-pending wedge suspension for rapid height adjustment and trouble-free installation.
- Form-fitting, stable connections between hardware and glass (tempered or laminated safety glass possible) provide high operational safety.
- A point-fixing and rattle-proof two-component floor guide makes it easy to install doors and prevents any rattling caused by draughts.

Glass doors without any visible hardware components are the latest fashion. All the more pleasing, then, that new sliding hardware available in the form of the HAWA-Purolino 80 promises the greatest possible transparency for glass doors. This is because every hardware component in the HAWA-Purolino 80 is integrated invisibly into the top tracks, which can be mounted to the wall or ceiling or even fully integrated into the ceiling. This makes HAWA-Purolino 80 a ground-breaking solution for numerous applications in upmarket residential and hotel architecture.

About the product

The new HAWA Purolino 80 is a moving masterpiece, both aesthetically and technologically. Take, for instance, the trolleys equipped with high-quality, plastic-coated steel rollers for impressive running smoothness. And you can rest assured that installation work will run just as smoothly: patent-pending wedge suspension technology is setting new standards with regard to simplicity and speed. The hardware is accessible from below when integrated into the ceiling. Optional additional profiles enable the use of vertical wall connections, and locks such as the HAWA-Toplock can be used even in systems running parallel to the wall.



www.v3s-glass-systems.be

Available from specialist dealers

Further information:

Hawa AG
 CH- 8932 Mettmenstetten
 Switzerland
 Tel. +41 44 767 91 91
 Fax +41 44 767 91 78
www.hawa.ch

