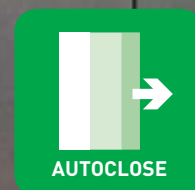


vitris
Glass fittings with logic

Portavant

Smooth cushioning, gentle closing

INNOVATION!





Perfected like

SOFTSTOP – the cushioning
system for your safety

nature

AUTOCLOSE –
the self-closing system to
make you feel good



Portavant from Willach is an innovative system for all-glass sliding doors which sets new standards.



SOFTSTOP – the cushioning system for your safety

- Slows the glass door effectively, gently and quietly irrespective of its weight and speed of closure – and does so over a distance of several centimetres
- Prevents damage through doors “jumping out” or tilting
- Removes the risk of trapped fingers almost entirely
- SOFTSTOP always works, no matter if the door is closed gently or harder
- Creates confidence and removes fear of breakage of glass perceived as a fragile material.

These have been assigned to history:

- Hard impact as the door closes together with noise and vibration
- Significant stresses on materials
- Potential damage to glass, fittings and brickwork
- Damage to or failure of endstops
- Insecurity and discomfort of users
- Need for conscious, focused and slow operation of door.



AUTOCLOSE – the self-closing system to make you feel good

- Fully closes the glass door effectively, gently and quietly once it has been slowed by the innovative cushioning system
- Guarantees that the door closes completely even if not fully shut or shut in a hurry
- Holds the door in position and prevents it from opening by itself
- Creates a feeling of security and wellbeing in gently closed spaces offering comfort, pleasant warmth, silence and privacy.

These have been assigned to history:

- Doors not closed properly to endstop
- Doors bouncing back as the result of excessive impact on endstop
- Undesirable consequences as draughts, waste of energy in air-conditioned spaces, no acoustic separation of spaces as well as visual impairment of space because of doors not fully closed.

The patent is pending on this revolutionary cushioning and self-closing system of Willach with its unique, easy-to-assemble components and reliable trigger mechanism.



Innovation and design to perfection

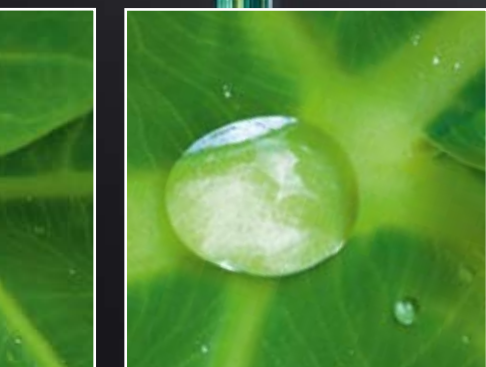
Portavant combines supreme qualities with modern design.

The beautiful, curved cover profile has a height of just 70 mm. The fittings are supplied in the colours aluminium natural anodised (EV1) as well as alinox anodised, brushed (stainless steel effect).

Beautiful handles and a wealth of accessories are available for single-sash and two-sash doors as well as doors with side-lights.

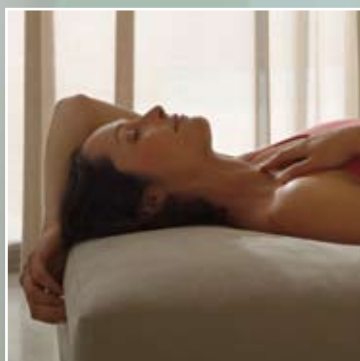


Portavant – the door, which...



...absorbs.

The door, which...



...protects.

Utilise all the benefits of Vitris

Traditional reliability of delivery

The complete product range is kept in stock in Ruppichteroth (Germany) and delivered with the reliability of Willach GmbH with which you are familiar.

Competent advice

Competent advice as well as technical support in all questions is available from our qualified technical staff in the office and the field. With Portavant, too, you benefit from the traditionally high service quality of Willach.

Familiar Willach quality

For more than 100 years Willach has stood for supreme quality, highest quality finishing as well as the long life of its products. The familiar high Willach quality can also be found in the products of the Portavant range:

- Extremely low initial roll resistance (class 3 according to DIN EN 1527), producing exceptionally easy running characteristics
- Maintenance-free components
- A film, available on DVD, shows the particular ease of assembly.

Ease of assembly

Portavant persuades through its ease of assembly and its easy handling within all positions of installation:

- The sash can be hung on the mounted top track without difficulty
- The height of each roller assembly can be adjusted +/- 4 mm to level the sash
- The closed position of the door can be adjusted even once the cover profile has been installed
- It is possible to screw in anti-tipping and anti-theft devices.

No processing of the glass required

The well-developed clamp technology makes processing of the glass unnecessary. The suspension mounting was developed in such a way that the sashes are securely held by the clamp mechanism. But if there is a special need, the clamp mechanism can be combined with a drilled glass hole and safety pin.

Adjustable floor guide

The elegant floor guide proves persuasive through the simple adjustment possibilities for the various glass thicknesses. The push-in plastic insets mean that the 8 to 12 mm glass sashes are securely guided. The lack of gaps in the floor guide prevents the sashes from rattling. The resistance of the floor guide has been adjusted for the reliable self-closing system.

Modular system

The modular design of the system offers you logistics and warehousing in line with customer needs. The system components can be combined depending on the assembly situation and individual requirements.

Portavant is suitable for toughened glass and laminated safety glass.

Technical specifications	
Doors weighing up to	80 kg
Sliding door glass thicknesses	
Toughened glass	8 / 10 / 12 mm
Laminated safety glass	8.76 / 10.76 / 12.76 mm
Stationary glazing thicknesses	
Toughened glass	8 / 10 / 12 mm
Laminated safety glass	8.76 / 10.76 / 12.76 mm
Roller assemblies	High quality precision rollers with plastic cover
Execution	one and two sash



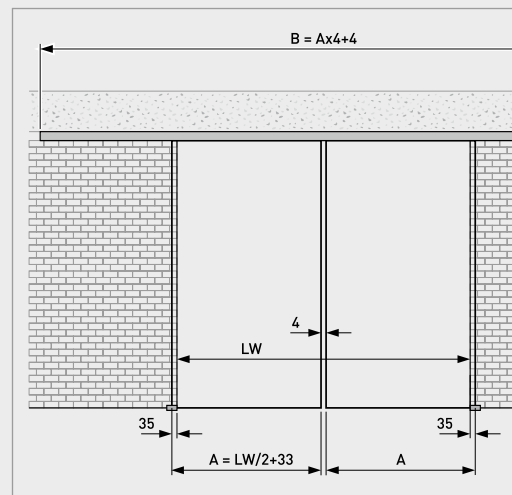
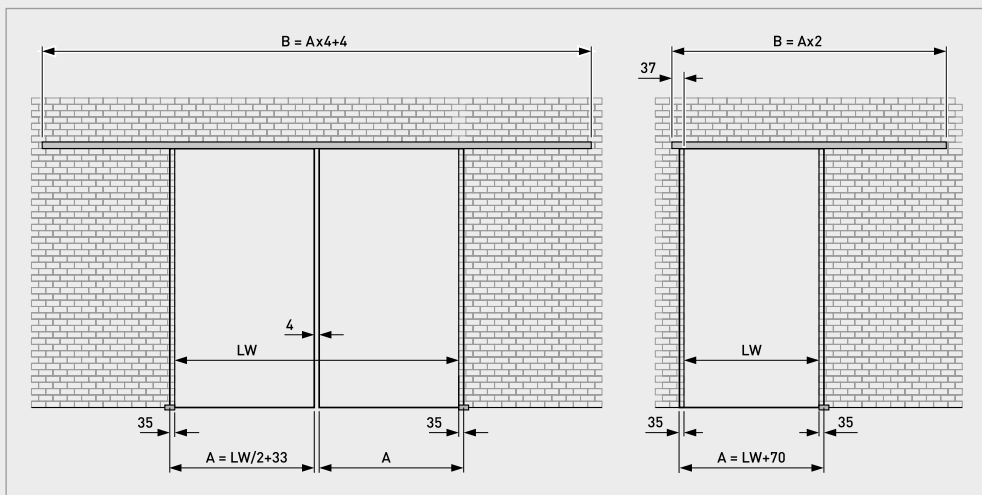
Roller assembly with cushioning system and self-closing system.



Profile with optional cover profile on the rear part for ceiling mounting

Diverse build variability to meet customer needs

Portavant is available for the following installation situations:

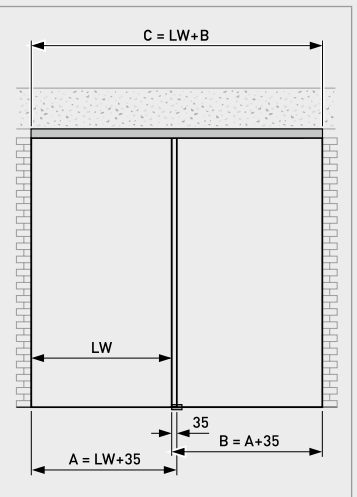
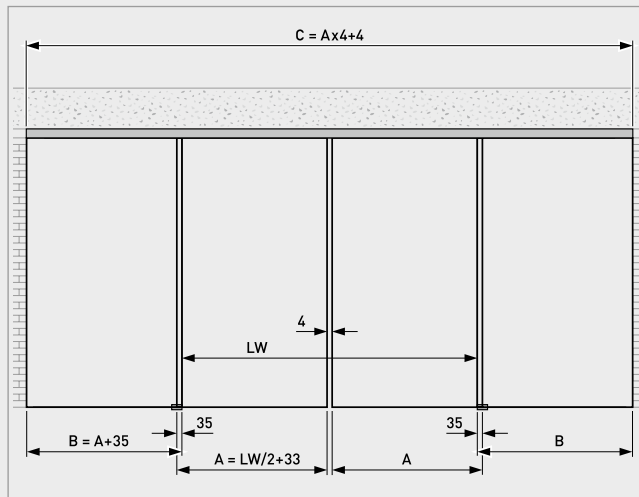
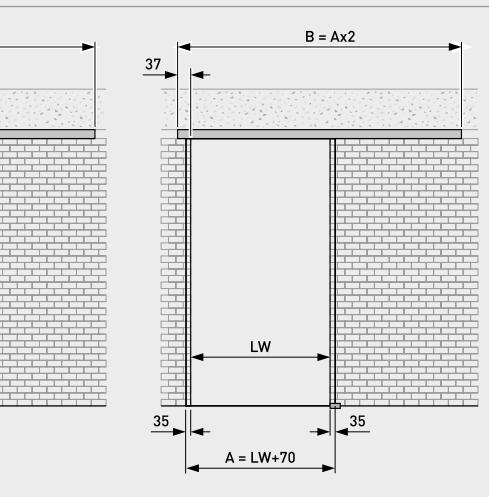


2-sash wall mounting, in single sets up to 975 mm or 1475 mm sash width, alternatively stock lengths or cut to size

1-sash wall mounting, in single sets up to 975 mm or 1475 mm sash width, alternatively stock lengths or cut to size

2-sash ceiling mounting, in single sets up to 975 mm or 1475 mm sash width, alternatively stock lengths or cut to size





1-sash ceiling mounting, in single sets up to 975 mm or 1475 mm sash width, alternatively stock lengths or cut to size

2-sash ceiling mounting, in single sets up to 975 mm or 1475 mm sash width with side-lights, alternatively stock lengths or cut to size

1-sash ceiling mounting, in single sets up to 975 mm or 1475 mm sash width with side-lights, alternatively stock lengths or cut to size

For legend see p. 11






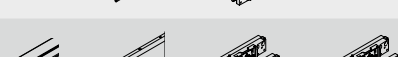


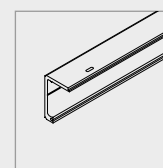
Comprehensive product range

We keep the following individual kits in store for you for the greatest variety of installation situations together with the respective set of accessories. Tracks, cover profiles as well as side-light profiles are supplied in profile lengths of 2, 3, 4 and 6 m.

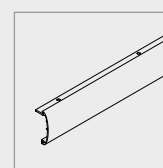
Special version

Fixed measurements can be ordered cut to size for individual requirements.

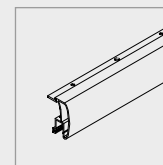
Position of installation	Sash width up to	Components of the Portavant-system
Wall mounted one sash	975 bzw. 1475 mm	
Wall mounted two sashes	975 bzw. 1475 mm	
Ceiling mounted one sash	975 bzw. 1475 mm	
Ceiling mounted two sashes	975 bzw. 1475 mm	
Ceiling mounted one sash with side-light	975 bzw. 1475 mm	
Ceiling mounted two sashes with side-light	975 bzw. 1475 mm	



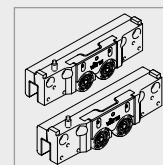
Top track



Cover profile



Side-light profile



Accessory kit



Calculation data for ceiling, wall mounting (without fixed sashes)

R	= overall height
LW	= clear width
A	= glass width of sliding sash
H	= glass height of sliding sash

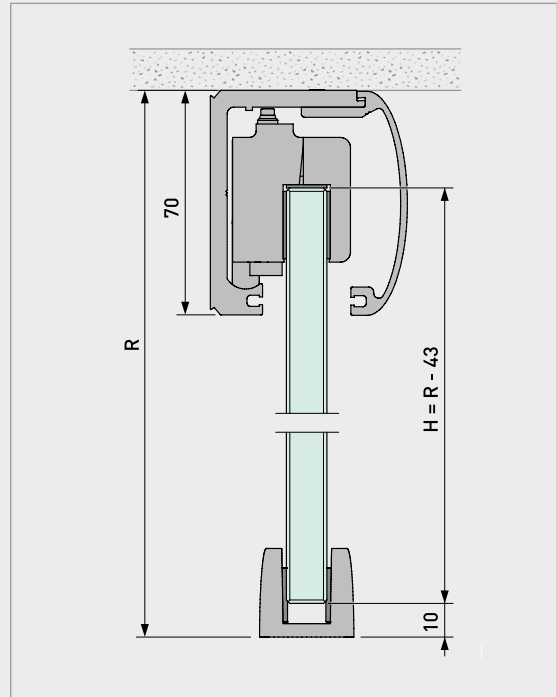
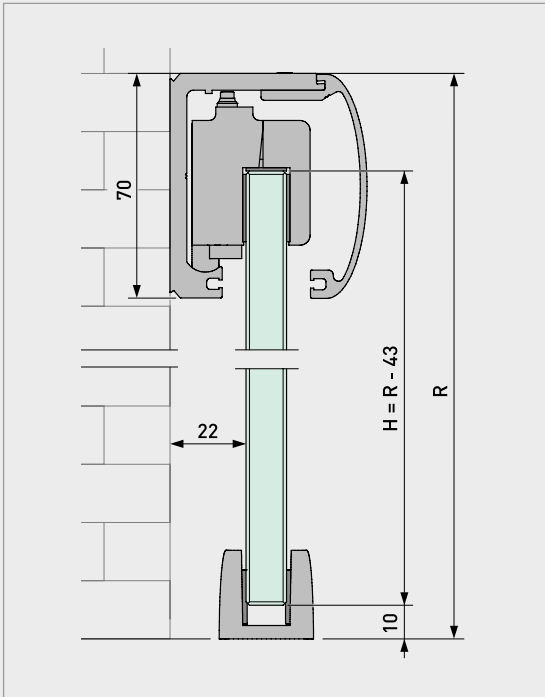
Determination of glass height:

$$H = R - 43$$

Determination of glass width:

$$A = LW + 70 \text{ (single sash)}$$

$$A = LW/2 + 33 \text{ (double sash)}$$



Calculating data for ceiling mounting (with side-light)

R	= overall height
LW	= clear width
A	= glass width of sliding sash
H1	= glass height of sliding sash
B	= glass width of side-light
H2	= glass height of side-light

Determination of glass height:

$$H1 = R - 43 \text{ (sliding sash)}$$

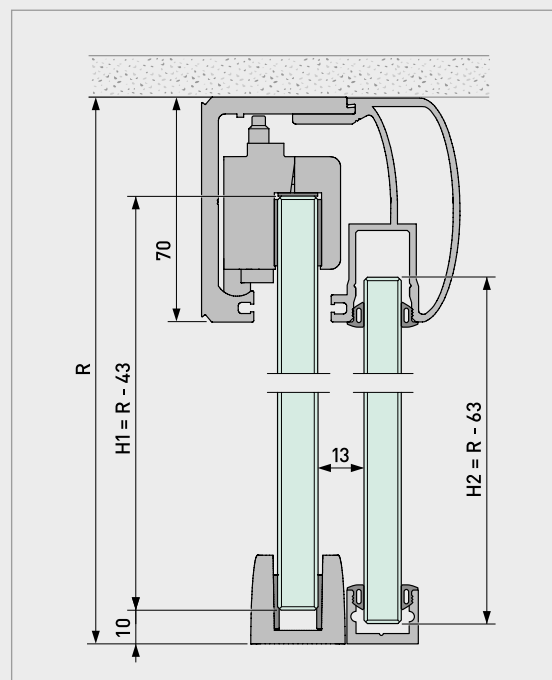
$$H2 = R - 63 \text{ (side-light)}$$

Determination of glass width:

$$A = LW + 35 \text{ (sliding sash, single sash)}$$

$$A = LW/2 + 33 \text{ (sliding sash, double sash)}$$

$$B = A + 35 \text{ (side-light, single, double sash)}$$

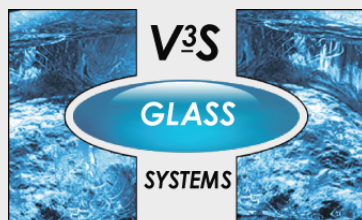




The company

Willach belongs to the leading producers of glass fittings in Europe. The manufacture of products to the highest quality and precision standards has been the supreme dictum of the company since its establishment in 1889. Numerous technical innovations and intelligent solutions with regard to detail meant that Willach was able to cement its pioneering reputation at an early stage. With the Vitris product line, Willach today offers a range of high quality fittings for all-glass sliding doors.

Furthermore the product range comprises a comprehensive modular system of glass door fittings, sliding door locks and slot bar systems for discerning interior, shop and trade show furnishings. Vitris also offers high quality clamp fixtures. Vitris products are certified in accordance with ISO standards and are manufactured at our Ruppichterorth production site to meet stringent manufacturing standards. This forms the basis for the excellent quality and consistently high level of availability of the complete Vitris range.



www.v3s-glass-systems.be

Benefit from the advantages



Vitris Portavant includes the unique cushioning system which gently and effectively slows down glass doors, no matter if the door is closed gently or hard.



The revolutionary self-closing system: The self-closing system ensures that doors are completely closed and stay closed.



Beautiful, curved profiles and handles in various colours and materials are stored in Ruppichterorth, Germany.

V3S Glass Systems BVBA
Bossestraat 4
9420 Erpe
Tel.: 053 80 87 77
Fax: 053 80 82 64
E-mail: info@v3s-glass-systems.be

Flyers, brochures and drawings are merely product descriptions and represent neither assured properties nor statements of guarantee.

