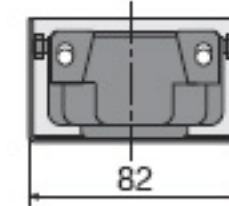
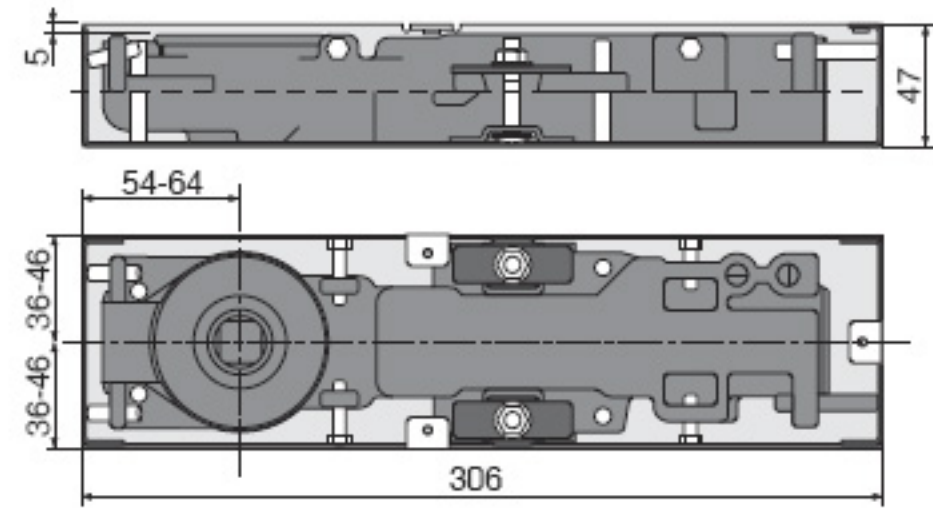
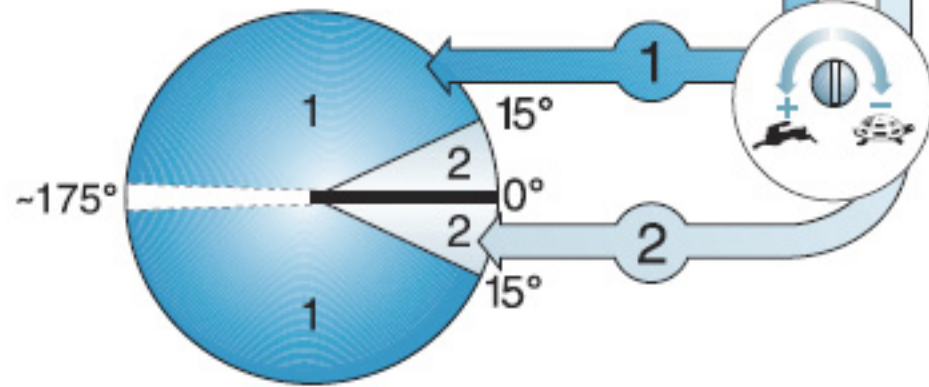
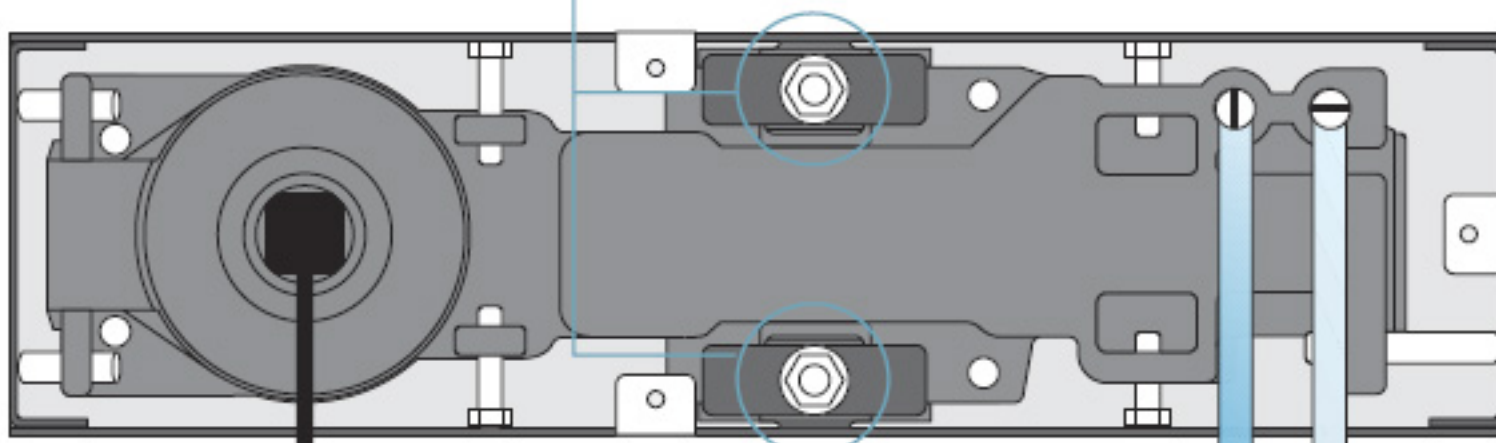


Vertical fixing

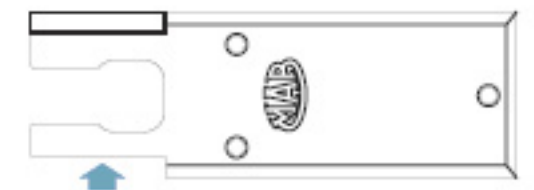
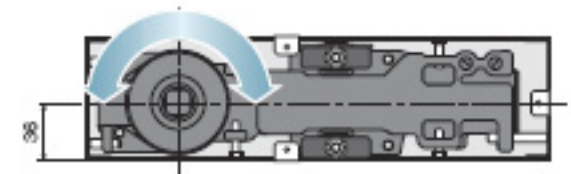
Closing and latching speeds adjustment

DIMENSIONS

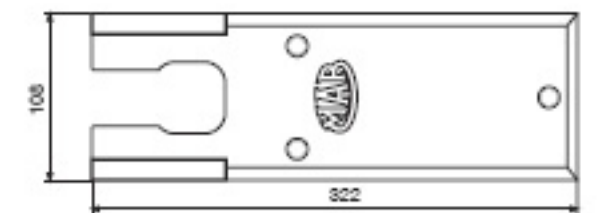
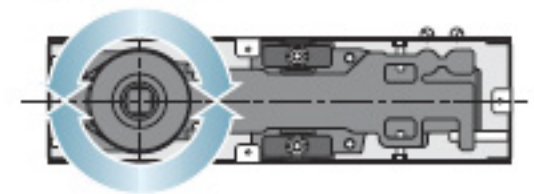


UNIVERSAL MOUNTING

Left hand



Double action



Right hand

