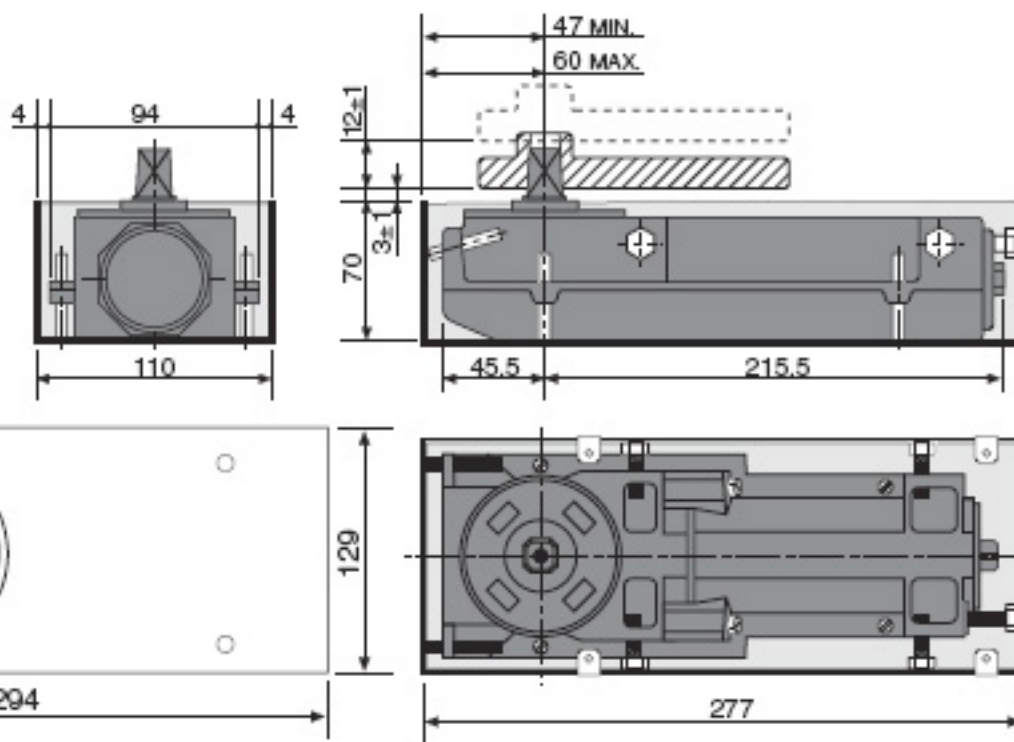


## DIMENSIONS

Adjustment within cement box:  
 - side 8 mm.  
 - front 13 mm.  
 - vertical 9 mm.

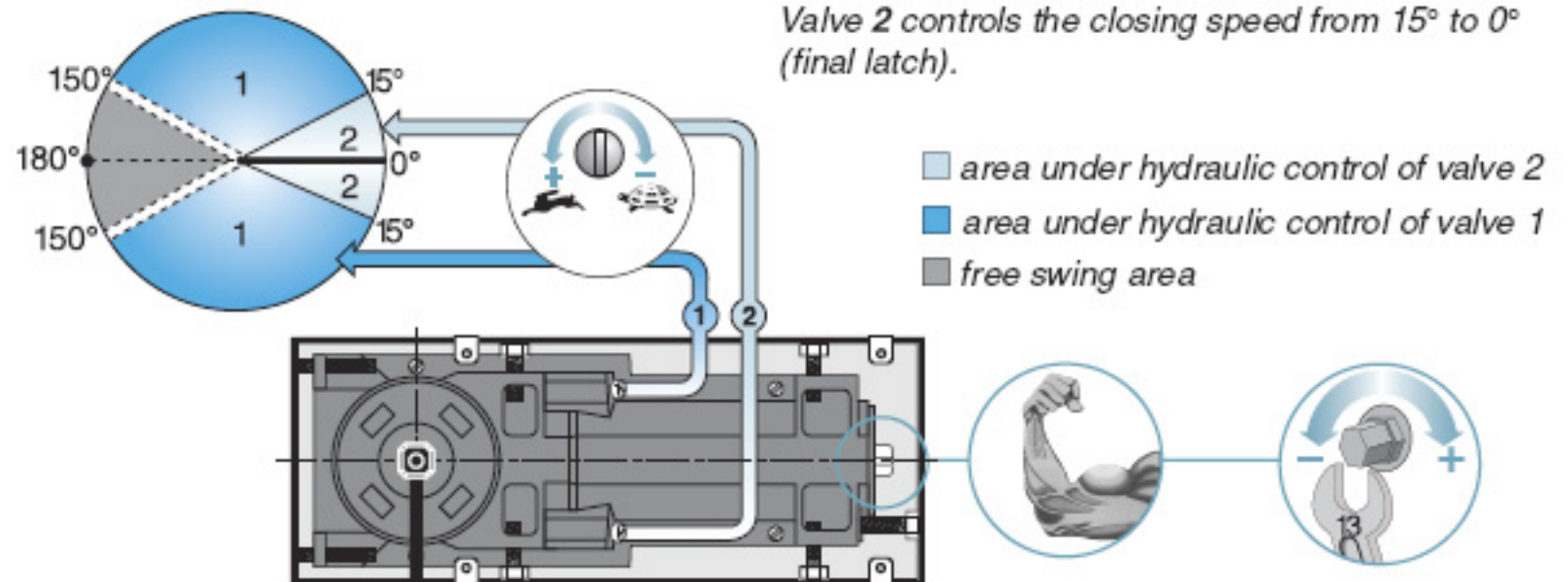


## COVERPLATES

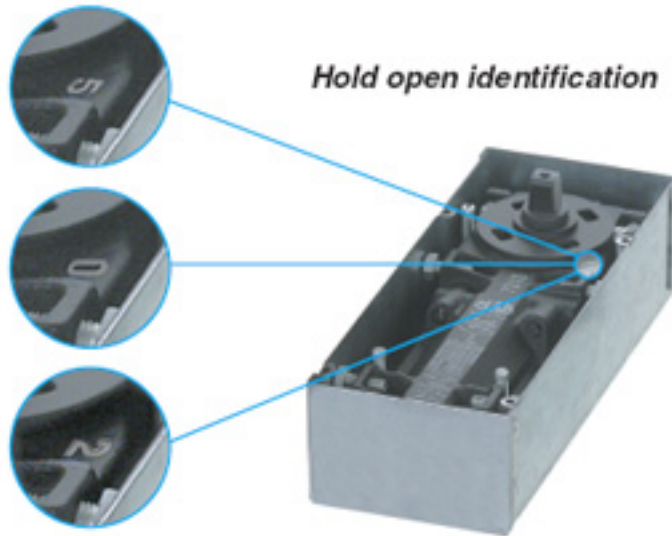


## CLOSING CONTROL

The use of a highly thermoconstant hydraulic fluid makes speed adjustments rarely needed. Valve 1 controls the closing speed from 150° to 15°. Valve 2 controls the closing speed from 15° to 0° (final latch).



Hold open identification



Date of manufacture  
 MM-YY (month - year)

