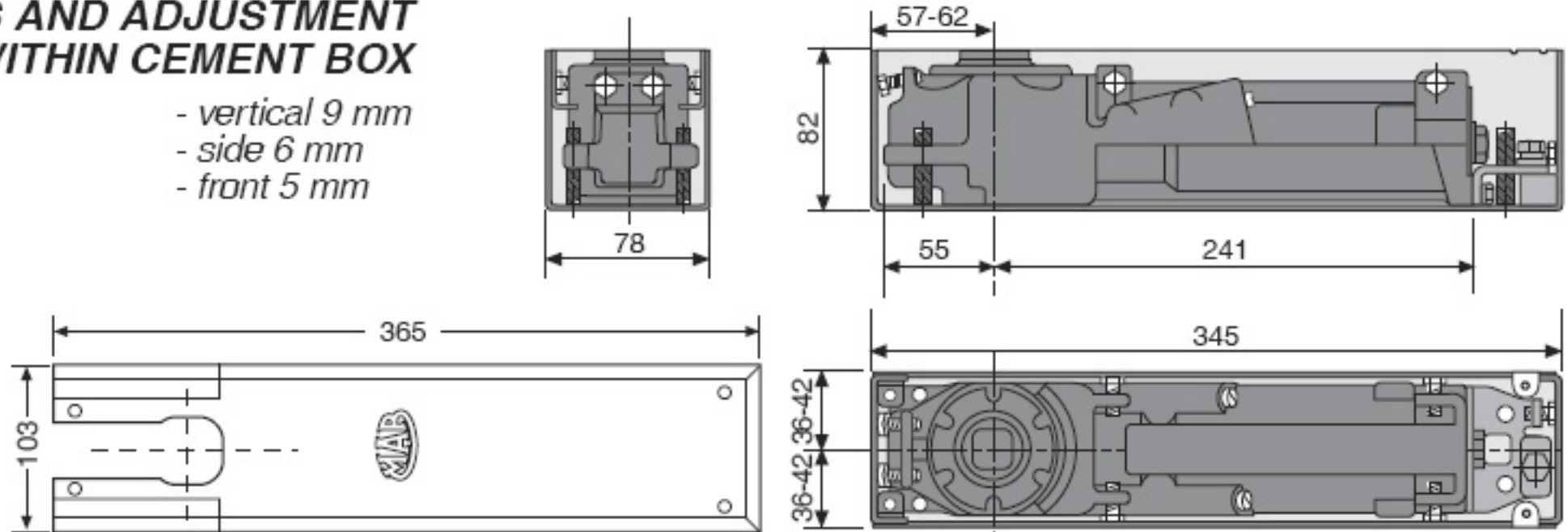
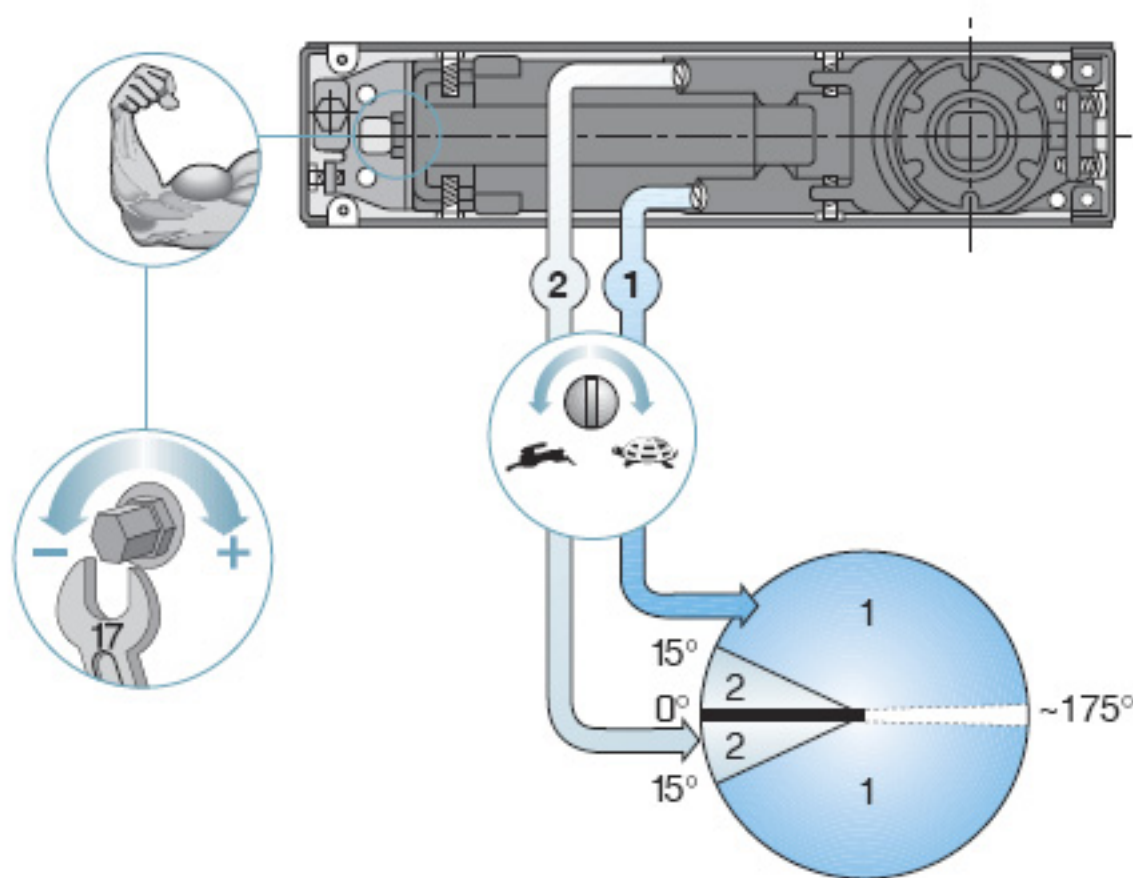


DIMENSIONS AND ADJUSTMENT WITHIN CEMENT BOX

- vertical 9 mm
- side 6 mm
- front 5 mm



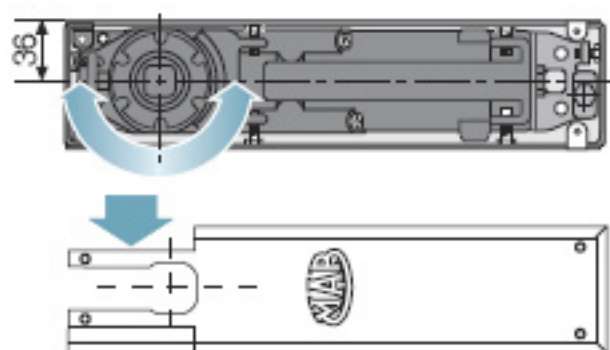
Thermostatic valves ① and ② control independently the general closing speed from $\sim 175^\circ$ to 15° and the final closing from $\sim 15^\circ$ to 0° (constant, damping or latching) Starting from valve closed, maximum speed is reached with three full turns anti-clockwise.



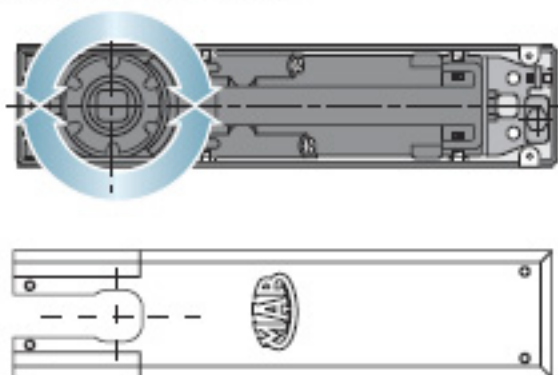
POWER AND CLOSING SPEED

Turn clockwise force adjuster $\text{O} 17 \text{ mm}$ to increase power. Turn anti-clockwise to decrease power. Starting from the minimum power, with 10 complete turns maximum power is reached.

RIGHT HAND



DOUBLE ACTION



UNIVERSAL MOUNTING

LEFT HAND

