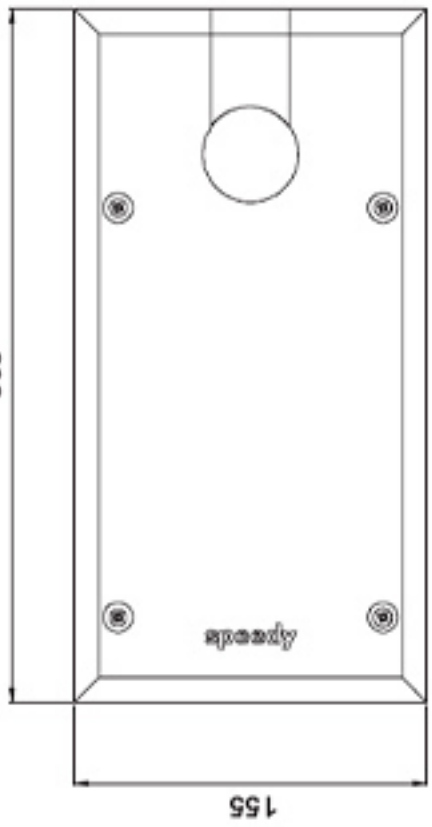
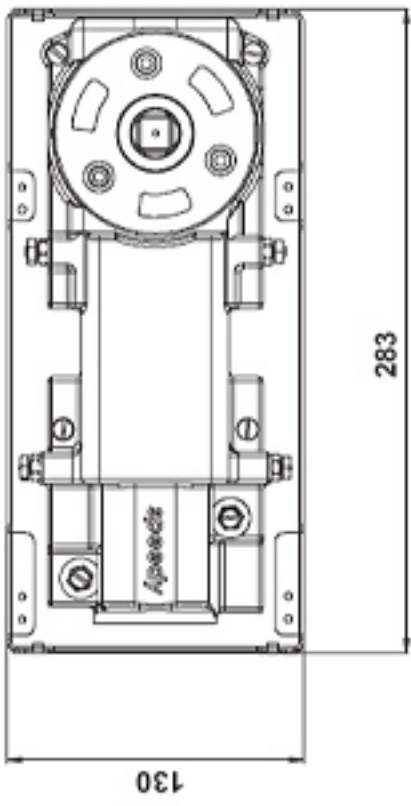
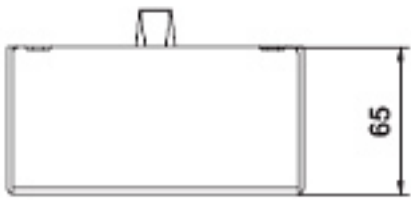


● constant hold-open



*Technical data*

	Maximum door width	
	Exterior	Interior
EN1154-2 "Yellow" strength	90 cm	110 cm
EN1154-3 "Red" strength	100 cm	120 cm
EN1154-4/5 "Black" strength	110 cm	140 cm

Doors weight up to kg 120/200  
 Dimensions of cement case: 130 x 283 x 65  
 Weight of package kg 6.4

