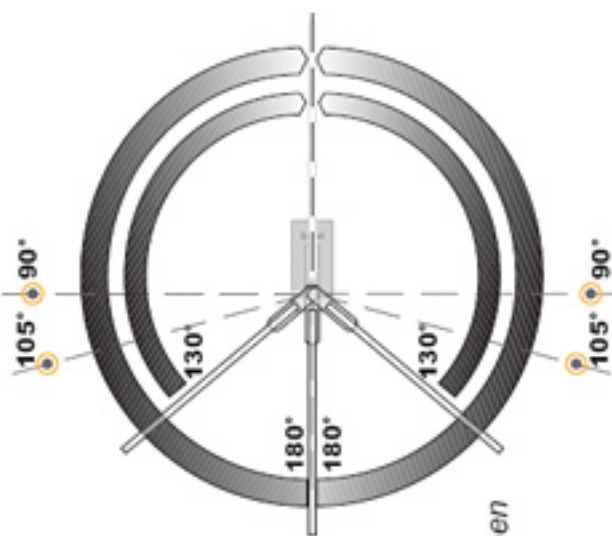
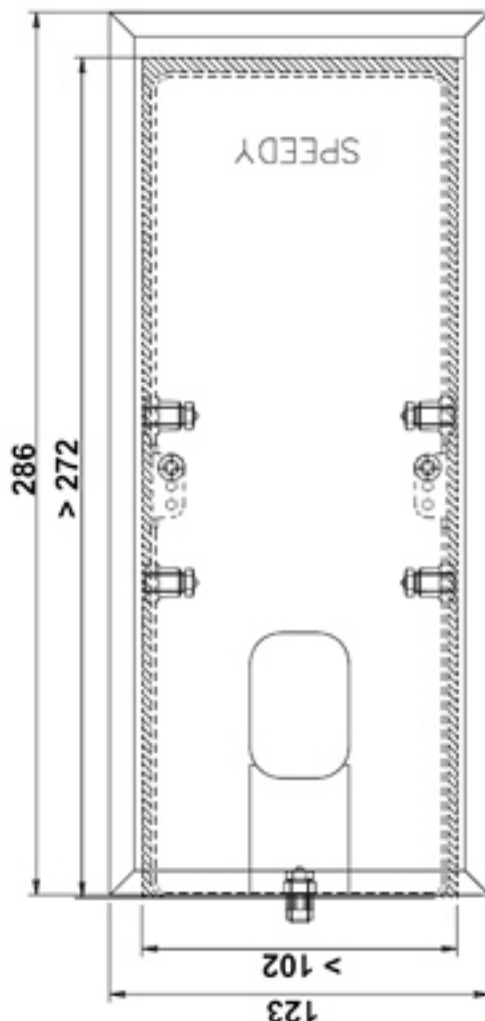
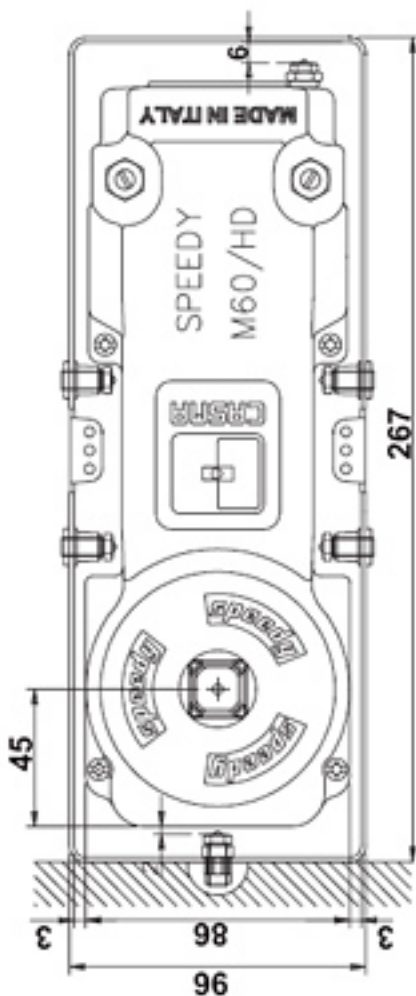
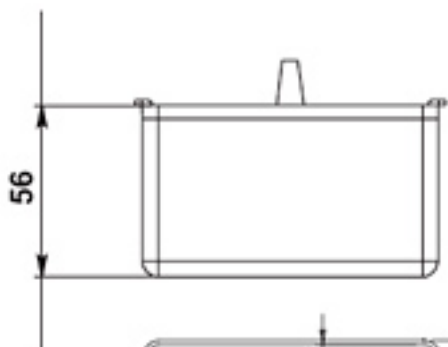


Technical data

Maximum door width	
Exterior	Interior
EN1154-2 "Yellow" strength	110 cm
EN1154-3 "Red" strength	120 cm

Doors weight up to kg. 160
 Dimensions of cement case: 96 x 267 x 56
 Weight of package kg. 5.2
 Note: Optimum fixing is obtained by blocking the side screws with a torque between 1,5 and 3 Nm and the longitudinal screws with a torque between 3 and 5 Nm.



● constant hold-open