



ICO 2019
AWARDS
WINNER
INNOVATIVE
INTERIOR

world of showers

overview – shower program



Pauli + Sohn

Pauli + Sohn GmbH

All images, technical drawings and descriptions are copyrighted property of the Pauli + Sohn GmbH
technical measurements within the catalog are not binding; subject to change. Any liability for printing
errors which have occurred during the preparation of this brochure is excluded.

www.pauli.de

stand: March 2021



Pauli + Sohn

world of showers

overview – shower program



shower fixtures from Pauli + Sohn manufactured in Germany

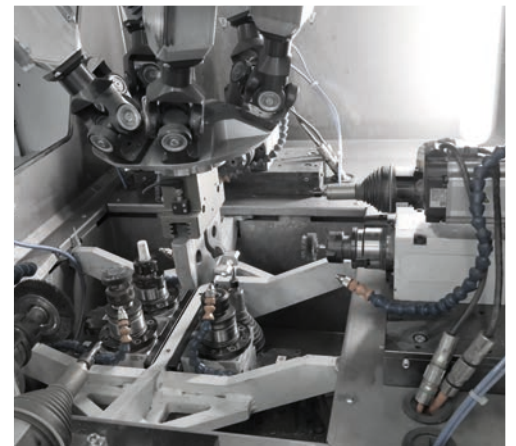
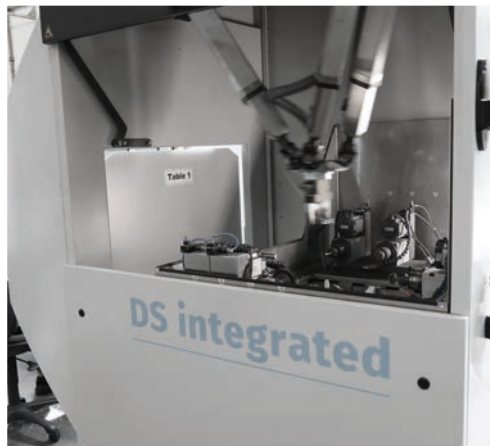
Pauli + Sohn, based in the region of Oberberg, specializes in the development and production of hardware for glass constructions. As a family business in the second generation, constant development and consistent customer orientation is our highest goal.

The materials and the special processing make our shower fixtures a long lasting and sustainable product. Concurrently, Pauli + Sohn attaches



great importance to innovation and modern production technologies. Only high-quality materials are used, which are processed in detail and exclusively assembled by hand.

Pauli + Sohn also takes sustainability seriously: residual raw materials are recycled, and water required for production is recycled in an in-house filter system.



general information

■ introduction	4
■ new products in overview	8
■ our product portfolio in comparison	12
■ assembly instructions	332
■ training and showrooms	348
■ shower-configurator	356
■ colors and finishing	357

hinge-sets/installation situations

■ ■ ■ ■ ■ PONTERE, PAVONE, FLAMEA ⁺ , FLAMEA, FARDELLO, ■ ■ ■ ■ ■ FLINTER, NIVELLO ⁺ , NIVELLO, FLUTURE ■ ■ ■ ■ ■ TURA, FARFALLA, PILLANGO, PAPILLON,	14
---	----

shower swing door hinges – round form

■ PONTERE	32
■ PONTERE angle brackets	48
■ PAVONE flush with lifting function	54
■ PAVONE angle brackets	66

shower swing door hinges – angle form

■ FLAMEA ⁺	70
■ FLAMEA ⁺ angle brackets	84
■ FLAMEA ⁺ sauna hinges	90
■ FLAMEA	100
■ FARDELLO	108
■ FARDELLO sauna hinges	122

striker hinges – angle form

■ FLINTER	130
-----------------	-----

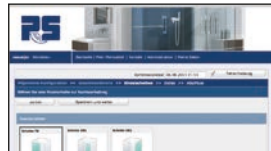
striker hinge with lifting function

■ NIVELLO ⁺ – flush	144
■ NIVELLO ⁺ angle brackets	150
■ NIVELLO – with counter plate	152

shower door hinge set

■ FLUTURE – overlapping	162
■ ■ ■ ■ ■ angle brackets for FLAMEA, FARDELLO, FLINTER, NIVELLO und FLUTURE	168

striker hinges – round form	
■ TURA heavy-duty hinge	174
■ TURA angle brackets	186
■ FARFALLA	190
■ PILLANGO	196
■ PAPILLON	204
■ ■ ■ angle brackets for FARFALLA, PILLANGO und PAPILLON	210
 stainless steel sliding door shower system	
■ VIVERE II	212
■ VIVERE II installation situations	216
■ VIVERE II sets	218
■ VIVERE II single components	225
 WALK-IN	
■ WALK-IN over view products	236
■ WALK-IN installation situations	238
■ WALK-IN system profile	240
■ WALK-IN floor to ceiling expansion tube	244
■ WALK-IN wall connection profile	250
■ WALK-IN wall connection profile	252
■ WALK-IN clamp profile	254
■ WALK-IN profiles	256
 accessories	
■ door knobs/ door handles	258
■ towel holder	261
■ stabilizer bars	270
■ opening limiter/ door stop	276
■ sealing profiles	296
■ profiles (see category WALK-IN)	302
■ glass door locks/ floor mount	254
■ glass	320
■ miscellaneous	322
	326



The domain www.duschenplaner.de assists you perfectly when planning and managing an order. You will receive a bulletin concerning the latest updates fully automated via newsletter. For further information please refer to page 356.

FARDELLO – new swing door hinge

from page 108

MADE
IN
GERMANY



FARDELLO also available for sauna applications.

from page 122



FARDELLO – 8900ZN

page 112



FARDELLO – 8901ZN

page 114

new hinges and a new surface for FLAMEA+

from page 70



FLAMEA+ – 8133ZN

page 76



FLAMEA+ – 8131ZN

page 78



FLAMEA+ – 8130ZN10 gloss nickel

page 74



FLAMEA+ – 8132ZN10 gloss nickel

page 80



TURA – new heavy-duty hinge

from page 174

MADE
IN
GERMANY



TURA – 8962ZN
page 179



TURA – 8960ZN
page 184

new category WALK-IN

from page 236



FLAMEA and FLINTER now also available in black matt

**Black
EDITION**



FLAMEA – Black Edition

MADE
IN
GERMANY



FLAMEA – 8180ZN – page 104



FLINTER – 8152ZN – page 133

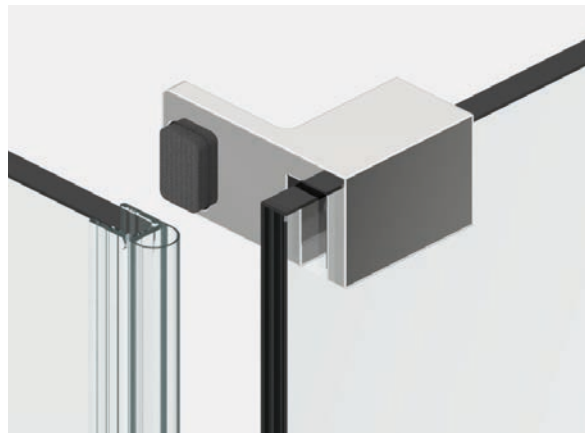
new stabilizer bracket

from page 294



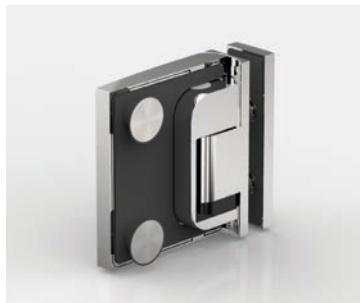
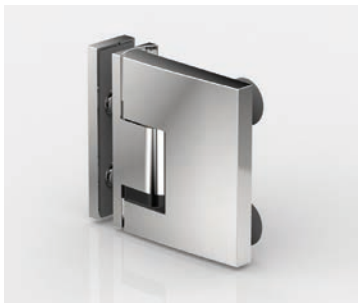
new door stops

from page 298



extension of the PAVONE series

from page 54



PAVONE – 8393ZN – page 64

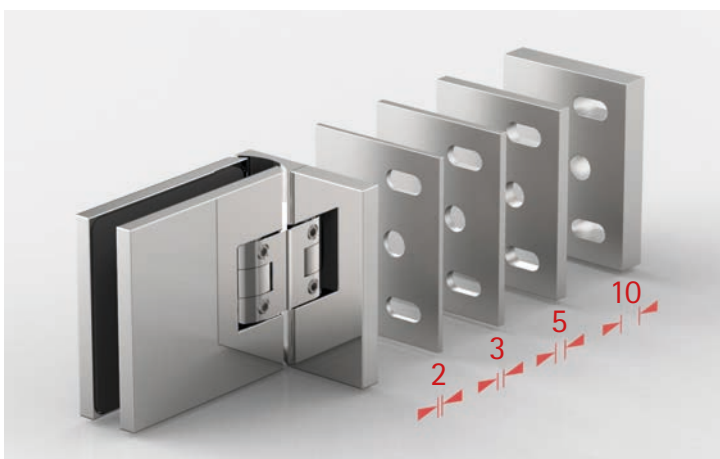


PAVONE – 8397ZN – page 67



shim plates for FLAMEA+ and FLAMEA

from page 329



new profiles







profile 8830 with end cap suitable for the new WALK-IN system
page 249



profile 8841 with end cap in
different surfaces
page 257



shower hinges and –systems comparison

	 ■ MADE IN GERMANY	 ■ MADE IN GERMANY	 ■ MADE IN GERMANY	 ■ MADE IN GERMANY	 ■ MADE IN GERMANY	 ■ MADE IN GERMANY
	PONTERE page 32	PAVONE page 54	FLAMEA+ page 70	FLAMEA+ SN page 90	FLAMEA page 100	FARDELLO page 108
base material	ZAMAK®	ZAMAK®	ZAMAK®	ZAMAK®	ZAMAK®	ZAMAK®
load capacity of two hinges	50 kg *2	36 kg *4	45 kg *3	30–36 kg	36 kg	42 kg
maximum door width (with a door height of 2000 mm and 8mm glass)	1000 mm	900 mm	1000 mm	750–900 mm	900 mm	1000 mm
lifting function		✓				
swing door	✓	✓	✓	✓	✓	✓
striker door						
overlapping door						
sliding door						
suitable for sauna applications				✓		
seal without notching						
installation without seal possible	✓	✓	✓	✓	✓	✓
adjustable closed position	✓	✓	✓	✓	✓	✓
self-closing during the final cm	✓	✓	✓	✓	✓	✓
concealed wall mount	✓*1	✓	✓	✓	✓	✓
concealed screws		✓	✓	✓		✓
flush screws		✓				
wall mount with oblong holes	✓*1	✓	✓	✓	✓	✓
adjustable angle bracket	✓		✓		✓	✓
shower sets with curved glass doors possible						

the durability of the hardware was tested in our factory according to DIN EN 14428:2015/A1:2018 5.5 and TR24.

*1 = except 8408MS

*2 = except 8404MS (35kg when using 2 hinges)

*3 = bis auf 8133ZN (40kg when using 2 hinges/ max. door width: 900 mm)

shower hinges and –systems comparison

 ■ MADE IN GERMANY	 ■ MADE IN GERMANY	 ■ MADE IN GERMANY	 ■ MADE IN GERMANY	 ■ MADE IN GERMANY	 ■ MADE IN GERMANY	 ■ MADE IN GERMANY	 ■ MADE IN GERMANY	 ■ MADE IN GERMANY	 ■ MADE IN GERMANY
FARDELLO SN page 122	FLINTER page 130	NIVELLO+ page 144	NIVELLO page 152	FLUTURE page 162	TURA page 174	FARFALLA page 190	PILLANGO page 196	PAPILLON page 204	VIVERE page 212
ZAMAK®	ZAMAK®	ZAMAK®	ZAMAK®	ZAMAK®	ZAMAK®	ZAMAK®	ZAMAK®	ZAMAK®	Edelstahl
30-32 kg	36 kg	36 kg	36 kg	36 kg	70 kg	40 kg	40 kg	40 kg	40 kg
750-900 mm	900 mm	900 mm	900 mm	900 mm	1200 mm	1000 mm	1000 mm	1000 mm	1000 mm
✓		✓	✓						
	✓	✓	✓	✓	✓	✓	✓	✓	
				✓					
✓									✓
	✓	✓	✓		✓	✓	✓	✓	
✓				✓*5					
✓		✓	✓	✓	✓		✓		
✓	✓	✓	✓	✓	✓		✓	✓	
✓	✓	✓	✓	✓	✓	✓	✓	✓	
✓	✓	✓	✓		✓		✓	✓	
		✓	✓						✓*6
✓	✓	✓	✓		✓	✓	✓	✓	✓
	✓		✓	✓					
	✓	✓	✓	✓	✓	✓	✓	✓	✓

*4 = except 8393ZN-L/R (30 kg when using 2 hinges/ max. door width: 750 mm)

*5 = with stopper

*6 = only wall mount



overview installation situation

Large or small, niche or round shower – many factors come into play when making the right choice. Not only do the wishes of the customers have to be taken into account, but also the construction situation of the bathroom. On the following pages, we will show you the possibilities with our systems, PONTERE, FLAMEA⁺, FLAMEA, FARFALLA, PILLANGO, PAPILLON, FLINTER and FLUTURE. You can also find set combinations at www.duschplaner.de.





General notes

Our installation examples serve for orientation and planning and are not to be understood as complete sets. You can design each type individually and customized to your specifications.

When planning and selecting the installation situations, please note the structural requirements and assess the premises precisely. Depending on the application example, the number and arrangement of the stabilizing bars and doorstops may vary.

For detailed information please refer to our measurement sheets on the Internet. Our technical team would be glad to assist you.





Important:

1. shower enclosures must be installed securely and stable.
2. the stabilization depends on the structural situation and the division of the shower enclosure.
3. side panels on which doors are mounted must generally be stabilized.

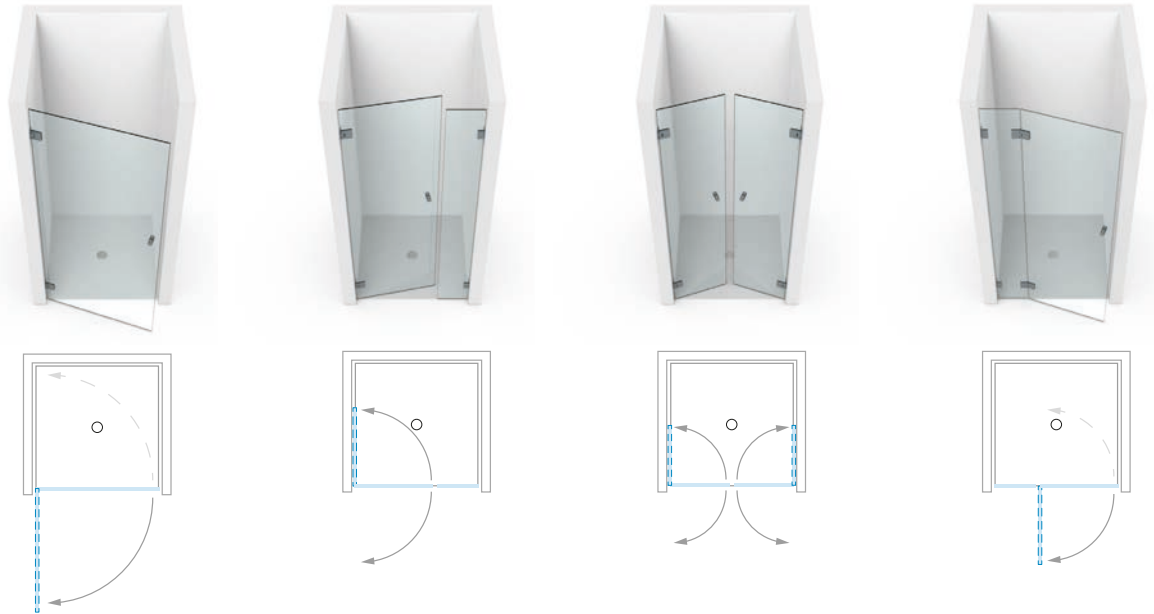
standard shower sizes:

our situations fit all common standard sizes –
e.g. 900 x 900 x 2000 cm

installation situations legend

(A)	opening outwards
(P)	swing door
(F)	folding system
(LA)	hardware mounted on the left, opening outwards
(RA)	hinge mounted on the right, opening outwards
	combination FLAMEA+ / FLINTER
	combination PONTERE / FARFALLA
	combination FLAMEA / FLINTER
	combination FARDELLO / FLINTER

installation situations - niche showers

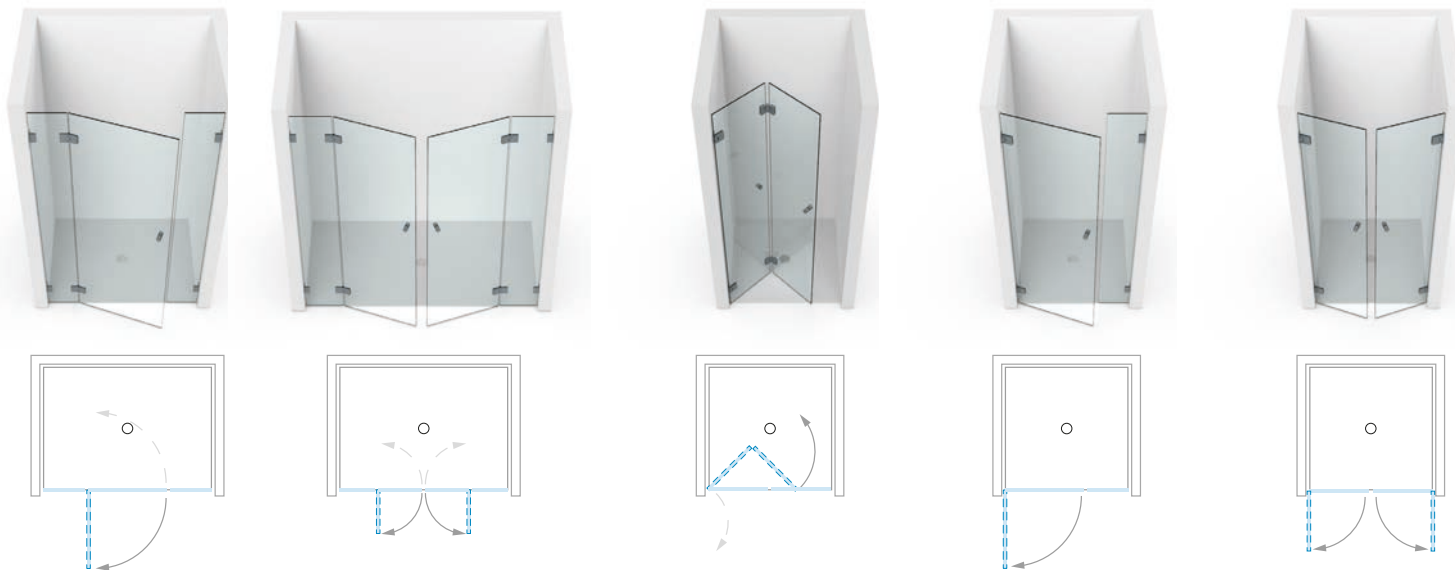


PONTERE ■	101 (P)	102 (P)	103 (P)	104 (P)
PAVONE ■	101 (P)	102 (P)	103 (P)	104 (P)
FLAMEA+ ■	101 (P)	102 (P)	103 (P)	104 (P)
FLAMEA ■	101 (P)	102 (P)	103 (P)	104 (P)
FARDELLO ■	101 (P)	102 (P)	103 (P)	104 (P)
FLINTER ■	101 (A)	-	-	104 (A)
NIVELLO+ ■	101 (LA) 101 (RA)	-	-	104 (LA) 104 (RA)
NIVELLO ■	101 (LA) 101 (RA)	-	-	104 (LA) 104 (RA)
FLUTURE ■	-	-	-	104 (A)
TURA ■	101 (A)	-	-	104 (A)
FARFALLA ■	101 (A)	-	-	104 (A)
PILLANGO ■	101 (A)	-	-	104 (A)
PAPILLON ■	101 (A)	-	-	104 (A)

(A) = opening outward - (P) = swing door - (FP) = swing folding-system in combination - (F) = folding-system



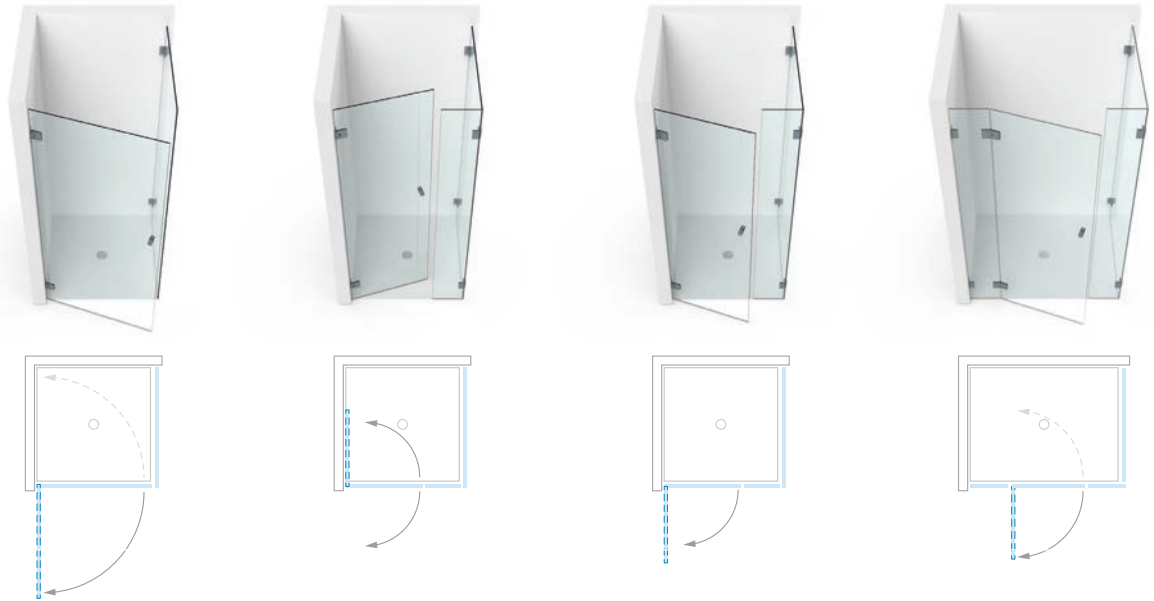
installation situations - niche showers



■ 105 (P)	106 (P)	■ 107 (FP)	102 (P)	103 (P)
■ 105 (P)	106 (P)	-	102 (P)	103 (P)
■ 105 (P)	106 (P)	■ 107 (FP)	102 (P)	103 (P)
■ 105 (P)	106 (P)	■ 107 (FP)	102 (P)	103 (P)
■ 105 (P)	106 (P)	■ 107 (FP)	102 (P)	103 (P)
■ 105 (A)	106 (A)	-	108 (A)	109 (A)
■ 105 (LA) 105 (RA)	106 (A)	-	108 (LA) 108 (RA)	109 (A)
■ 105 (LA) 105 (RA)	106 (A)	-	108 (LA) 108 (RA)	109 (A)
■ 105 (A)	106 (A)	-	-	-
■ 105 (A)	106 (A)	107 (F)	108 (A)	109 (A)
■ 105 (A)	106 (A)	-	108 (A)	109 (A)
■ 105 (A)	106 (A)	-	108 (A)	109 (A)
■ 105 (A)	-	-	108 (A)	-

Depending on the application example, the number and arrangement of stabilizer bars, door hinges and angle brackets may vary or be required. For detailed information, please refer to our measurement sheets or ask our technical department. Information on standard dimensions of showers and abbreviations can be found on page 15.

installation situations – corner showers

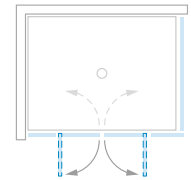
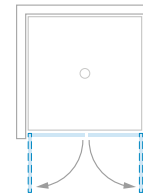
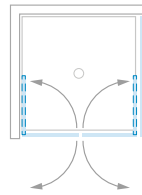
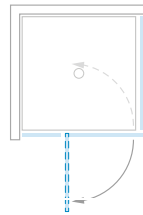
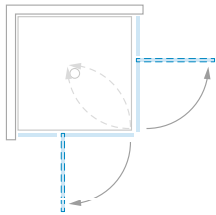


PONTERE	201 (P)	202 (P)	202 (P)	204 (P)
PAVONE	201 (P)	202 (P)	202 (P)	204 (P)
FLAMEA+	201 (P)	202 (P)	202 (P)	204 (P)
FLAMEA	201 (P)	202 (P)	202 (P)	204 (P)
FARDELLO	201 (P)	202 (P)	202 (P)	204 (P)
FLINTER	201 (A)	-	203 (A)	204 (A)
NIVELLO+	201 (LA) 201 (RA)	-	203 (LA) 203 (RA)	204 (LA) 204 (RA)
NIVELLO	201 (LA) 201 (RA)	-	203 (LA) 203 (RA)	204 (LA) 204 (RA)
FLUTURE	-	-	-	204 (A)
TURA	201 (A)	-	203 (A)	204 (A)
FARFALLA	201 (A)	-	203 (A)	204 (A)
PILLANGO	201 (A)	-	203 (A)	204 (A)
PAPILLON	201 (A)	-	203 (A)	204 (A)

(A) = opening outward - (P) = swing door - (FP) = swing folding-system in combination - (F) = folding-system



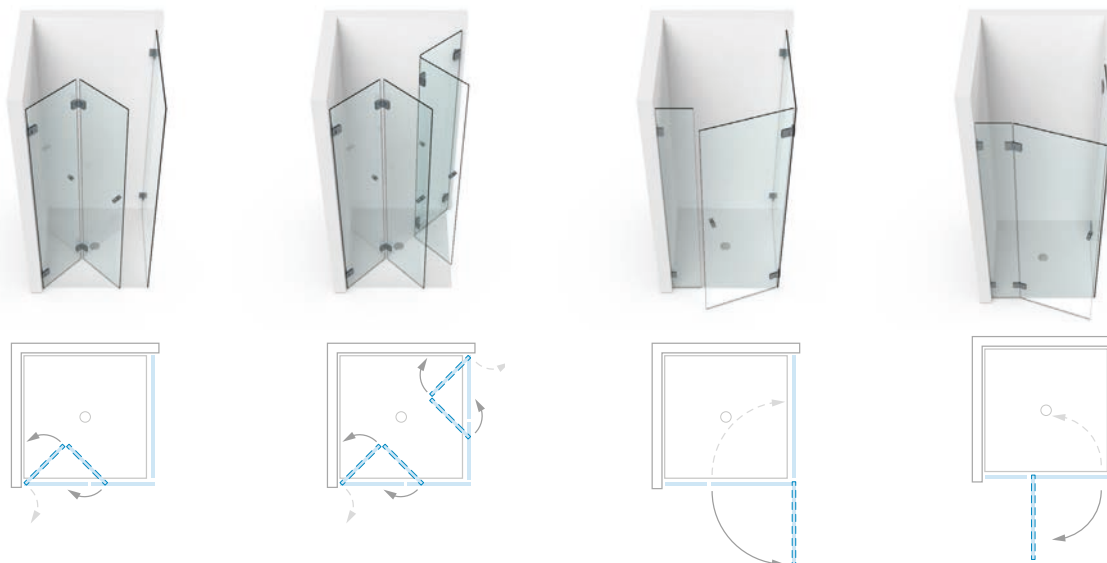
installation situations - corner showers











■ 209 (P)	210 (P)	211 (P)	211 (P)	213 (P)
■ 209 (P)	210 (P)	211 (P)	211 (P)	213 (P)
■ 209 (P)	210 (P)	211 (P)	211 (P)	213 (P)
■ 209 (P)	210 (P)	-	-	213 (P)
■ 209 (P)	210 (P)	211 (P)	211 (P)	213 (P)
■ 209 (A)	210 (A)	-	212 (A)	213 (A)
■ 209 (A)	210 (LA) 210 (RA)	-	-	213 (LA) 213 (RA)
■ 209 (A)	210 (LA) 210 (RA)	-	212 (LA) 212 (RA)	213 (LA) 213 (RA)
■ 209 (A)	210 (A)	-	212 (A)	213 (A)
■ 209 (A)	210 (A)	-	-	213 (A)
■ 209 (A)	210 (A)	-	-	213 (A)
■ 209 (A)	210 (A)	-	212 (A)	213 (A)
■ -	210 (A)	-	212 (A)	-

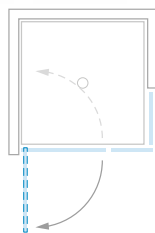
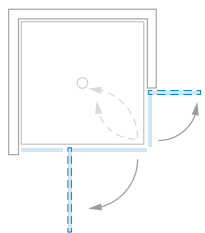
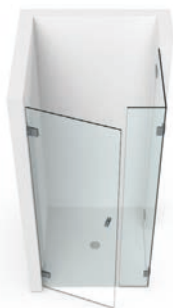
Depending on the application example, the number and arrangement of stabilizer bars, door hinges and angle brackets may vary or be required. For detailed information, please refer to our measurement sheets or ask our technical department. Information on standard dimensions of showers and abbreviations can be found on page 15.

installation situations – corner showers



PONTERE	 215 (FP)	 216 (FP)	217 (P)	218 (P)
PAVONE	-	-	217 (P)	-
FLAMEA+	 215 (FP)	 216 (FP)	217 (P)	218 (P)
FLAMEA	 215 (FP)	 216 (FP)	-	218 (P)
FARDELLO	 215 (FP)	 216 (FP)	217 (P)	218 (P)
FLINTER	-	-	217 (A)	218 (A)
NIVELLO+	-	-	-	-
NIVELLO	-	-	-	218 (LA) 218 (RA)
FLUTURE	-	-	-	218 (A)
TURA	215 (F)	216 (F)	-	-
FARFALLA	-	-	-	218 (A)
PILLANGO	-	-	217 (A)	218 (A)
PAPILLON	-	-	-	-

(A) = opening outward - (P) = swing door - (FP) = swing folding-system in combination - (F) = folding-system



■ 219 (P)

221 (P)

■ -

-

■ 219 (P)

221 (P)

■ -

221 (P)

■ -

221 (P)

■ -

221 (A)

■ -

-

■ -

221 (LA) 221 (RA)

■ -

-

■ -

-

■ -

221 (A)

■ -

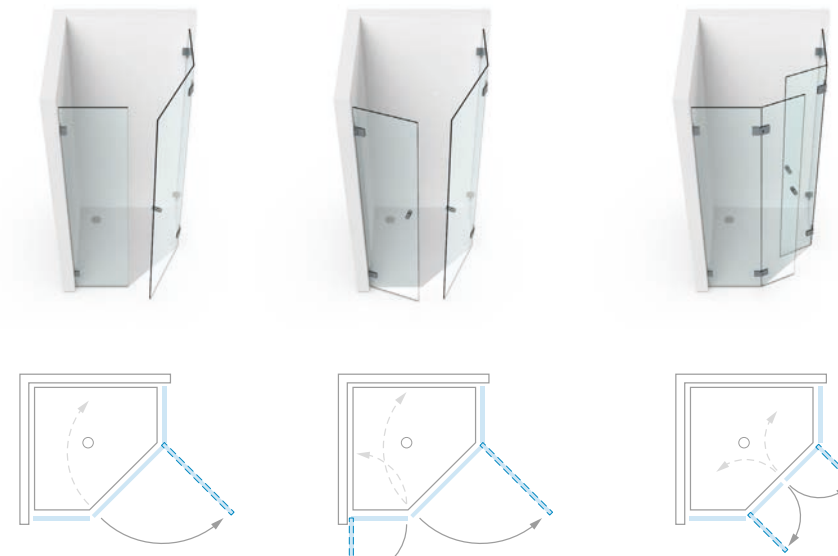
221 (A)

■ -

221 (A)



Depending on the application example, the number and arrangement of stabilizer bars, door hinges and angle brackets may vary or be required. For detailed information, please refer to our measurement sheets or ask our technical department. Information on standard dimensions of showers and abbreviations can be found on page 15.



PONTERE ■

301 (P)

302 (P)

303 (P)

PAVONE ■

-

-

-

FLAMEA+ ■

301 (P)

302 (P)

303 (P)

FLAMEA ■

-

-

-

FARDELLO ■

-

-

-

FLINTER ■

301 (A)

-

303 (A)

NIVELLO+ ■

301 (LA) 301 (RA)

-

303 (A)

NIVELLO ■

301 (LA) 301 (RA)

-

303 (A)

FLUTURE ■

-

-

-

TURA ■

-

-

-

FARFALLA ■

301 (A)

-

303 (A)

PILLANGO ■

301 (A)

-

303 (A)

PAPILLON ■

301 (A)

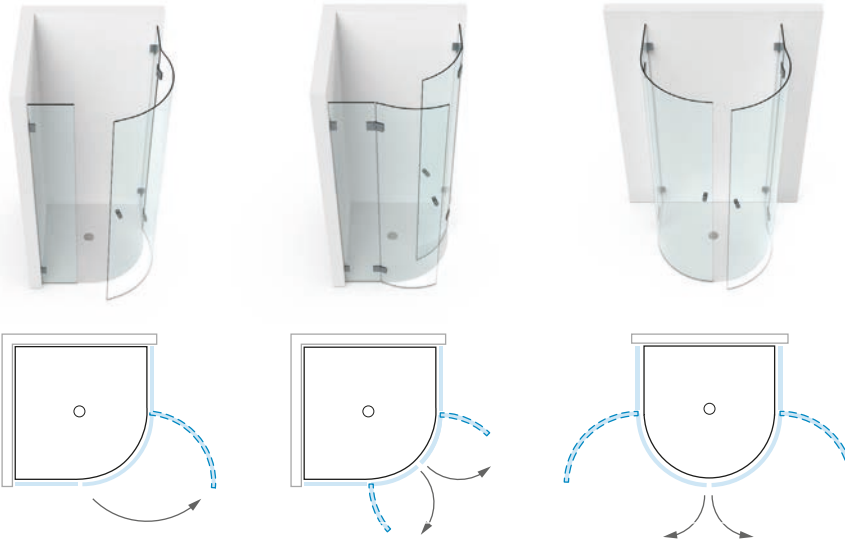
-

303 (A)

(A) = opening outward - (P) = swing door - (FP) = swing folding-system in combination - (F) = folding-system

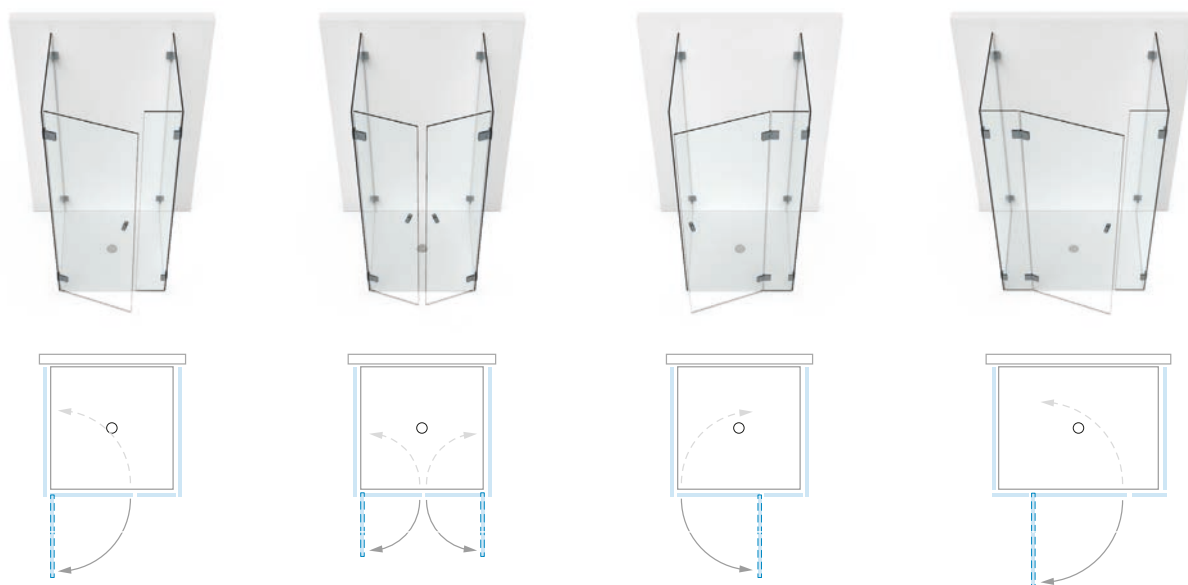


installation situations - round showers



PONTERE	■	-	-	-
PAVONE	■	-	-	-
FLAMEA+	■	-	-	-
FLAMEA	■	-	-	-
FARDELLO	■	-	-	-
FLINTER	■	-	502 (A)	-
NIVELLO+	■	-	-	-
NIVELLO	■	-	502 (A)	-
FLUTURE	■	-	502 (A)	-
TURA	■	501 (A)	502 (A)	503 (A)
FARFALLA	■	501 (A)	502 (A)	503 (A)
PILLANGO	■	501 (A)	502 (A)	503 (A)
PAPILLON	■	501 (A)	-	-

Depending on the application example, the number and arrangement of stabilizer bars, door hinges and angle brackets may vary or be required. For detailed information, please refer to our measurement sheets or ask our technical department. Information on standard dimensions of showers and abbreviations can be found on page 15.



PONTERE ■	401 (P)	402 (P)	403 (P)	404 (P)
PAVONE ■	401 (P)	402 (P)	403 (P)	404 (P)
FLAMEA+ ■	401 (P)	402 (P)	403 (P)	404 (P)
FLAMEA ■	-	-	403 (P)	404 (P)
FARDELLO ■	401 (P)	402 (P)	403 (P)	404 (P)
FLINTER ■	401 (A)	402 (A)	403 (A)	404 (A)
NIVELLO+ ■	-	-	403 (LA) 403 (RA)	404 (LA) 404 (RA)
NIVELLO ■	-	-	403 (LA) 403 (RA)	404 (LA) 404 (RA)
FLUTURE ■	-	-	403 (A)	404 (A)
TURA ■	-	-	403 (A)	404 (A)
FARFALLA ■	-	-	403 (A)	404 (A)
PILLANGO ■	401 (A)	402 (A)	403 (A)	404 (A)
PAPILLON ■	-	-	403 (A)	404 (A)

(A) = opening outward - (P) = swing door - (FP) = swing folding-system in combination - (F) = folding-system



■ 406 (P)

■ 406 (P)

■ 406 (P)

■ 406 (P)

■ 406 (P)

■ 406 (A)

■ 406 (A)

■ 406 (A)

■ 406 (A)

■ 406 (A)

■ 406 (A)

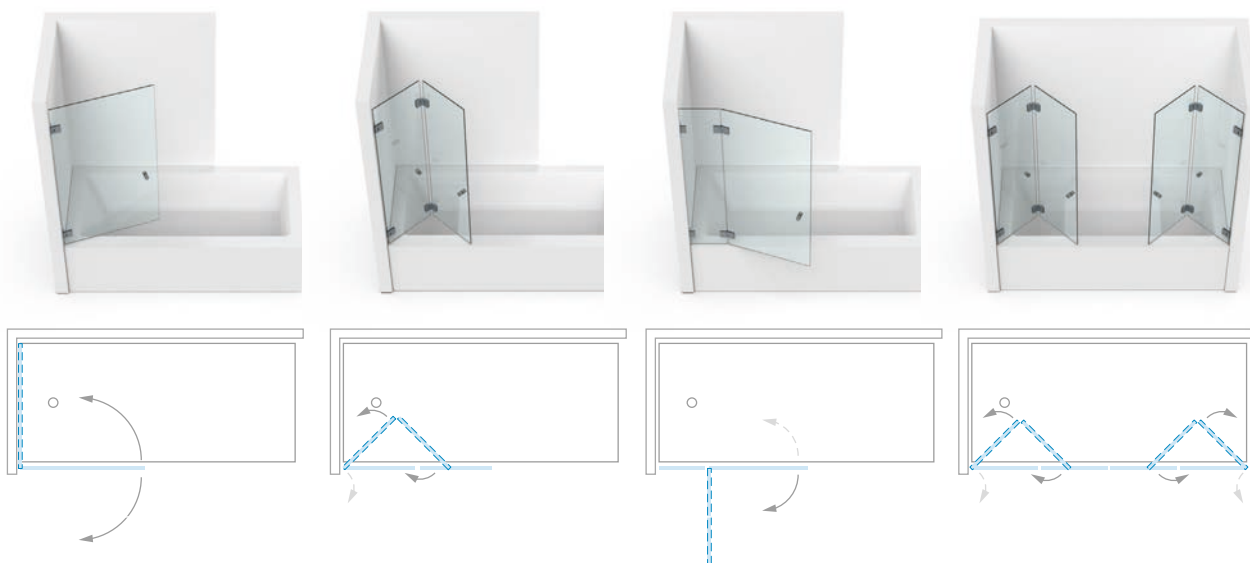
■ 406 (A)

■ 406 (A)



Depending on the application example, the number and arrangement of stabilizer bars, door hinges and angle brackets may vary or be required. For detailed information, please refer to our measurement sheets or ask our technical department. Information on standard dimensions of showers and abbreviations can be found on page 15.

installation situations - bath tub solutions

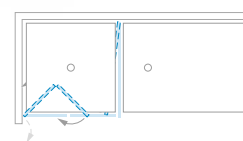
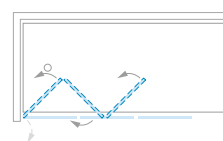
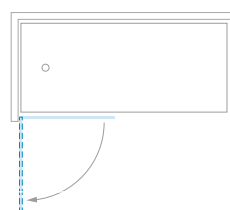
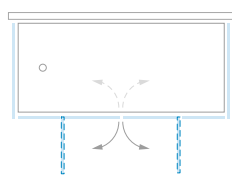
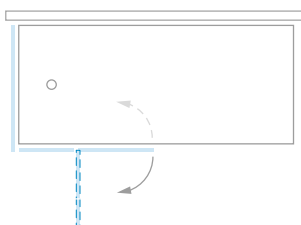


PONTERE	601 (P)	602 (FP)	603 (P)	604 (FP)
PAVONE	601 (P)	-	603 (P)	-
FLAMEA+	601 (P)	602 (FP)	603 (P)	603 (FP)
FLAMEA	601 (P)	602 (FP)	603 (P)	604 (FP)
FARDELLO	601 (P)	602 (FP)	603 (P)	604 (FP)
FLINTER	-	-	603 (A)	-
NIVELLO+	-	-	603 (LA) 603 (RA)	-
NIVELLO	-	-	603 (LA) 603 (RA)	-
FLUTURE	-	-	603 (A)	-
TURA	-	602 (F)	603 (A)	604 (F)
FARFALLA	-	-	603 (A)	-
PILLANGO	-	-	603 (A)	-
PAPILLON	-	-	-	-

(A) = opening outward - (P) = swing door - (FP) = swing folding-system in combination - (F) = folding-system



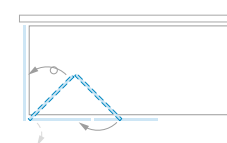
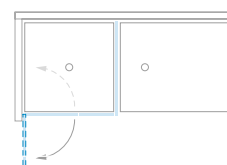
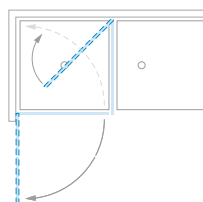
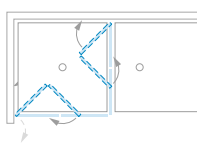
installation situations - bath tub solutions



605 (P)	606 (P)	601 (P)	608 (FP)	609 (FP)
605 (P)	606 (P)	601 (P)	-	-
605 (P)	606 (P)	601 (P)	608 (FP)	609 (FP)
605 (P)	606 (P)	601 (P)	608 (FP)	609 (FP)
605 (P)	606 (P)	601 (P)	608 (FP)	609 (FP)
605 (A)	606 (A)	607 (A)	-	-
605 (LA) 605 (RA)	606 (A)	607 (LA) 607 (RA)	-	-
605 (LA) 605 (RA)	606 (A)	607 (LA) 607 (RA)	-	-
-	606 (A)	-	-	-
605 (A)	606 (A)	607 (A)	608 (F)	609 (F)
605 (A)	606 (A)	607 (A)	-	-
-	606 (A)	607 (A)	-	-
-	-	-	-	-

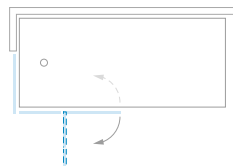
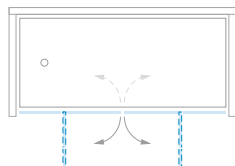
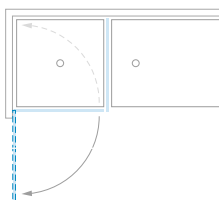
Depending on the application example, the number and arrangement of stabilizer bars, door hinges and angle brackets may vary or be required. For detailed information, please refer to our measurement sheets or ask our technical department. Information on standard dimensions of showers and abbreviations can be found on page 15.

installation situations - bath tub solutions



PONTERE		610 (FP)	611 (P)	612 (P)		613 (FP)
PAVONE		-	611 (P)	612 (P)	-	-
FLAMEA+		610 (FP)	611 (P)	612 (P)		613 (FP)
FLAMEA		610 (FP)	611 (P)	612 (P)		613 (FP)
FARDELLO		610 (FP)	611 (P)	612 (P)		613 (FP)
FLINTER		-	611 (A)	612 (A)	-	-
NIVELLO+		-	-	612 (LA) 612 (RA)	-	-
NIVELLO		-	611 (LA) 611 (RA)	612 (LA) 612 (RA)	-	-
FLUTURE		-	-	-	-	-
TURA		610 (F)	611 (A)	612 (A)	-	613 (F)
FARFALLA		-	611 (A)	612 (A)	-	-
PILLANGO		-	-	612 (A)	-	-
PAPILLON		-	-	612 (A)	-	-

(A) = opening outward - (P) = swing door - (FP) = swing folding-system in combination - (F) = folding-system



■ 615 (P)	616 (P)	617 (P)
■ 615 (P)	616 (P)	-
■ 615 (P)	616 (P)	617 (P)
■ 615 (P)	616 (P)	617 (P)
■ 615 (P)	616 (P)	617 (P)
■ 615 (A)	616 (A)	617 (A)
■ 615 (LA) 615 (RA)	616 (A)	-
■ 615 (LA) 615 (RA)	616 (A)	617 (LA) 617 (RA)
■ -	616 (A)	617 (A)
■ 615 (A)	616 (A)	-
■ 615 (A)	616 (A)	617 (A)
■ 615 (A)	616 (A)	617 (A)
■ 615 (A)	-	-

Depending on the application example, the number and arrangement of stabilizer bars, door hinges and angle brackets may vary or be required. For detailed information, please refer to our measurement sheets or ask our technical department. Information on standard dimensions of showers and abbreviations can be found on page 15.



stabilization and doorstops

Sustainability is important to us. Therefore we place great emphasis on safety, intelligent technology and good quality of the material. To stabilize your shower and to protect it from improper use, such as over-opened doors, there are various sensible possibilities. Your shower expert will be happy to assist you.

with stabilizer angle bracket



8449MS_
page 294

with railing



with stabilizer bars

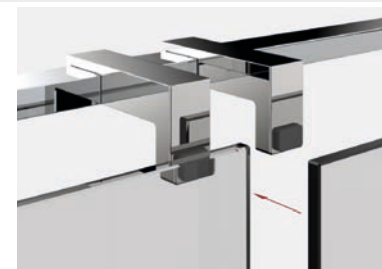
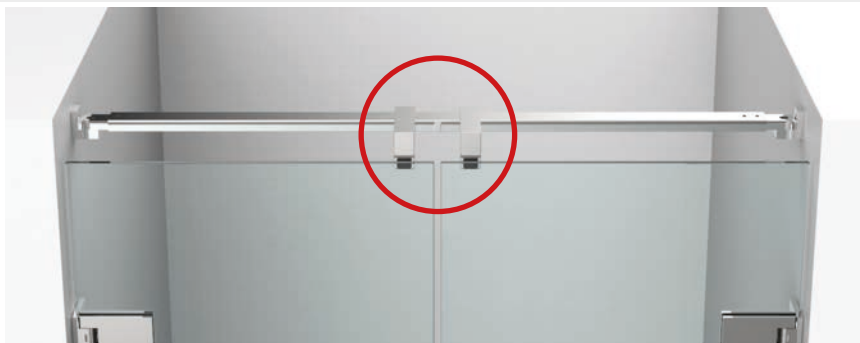


8444MS_/8494MS_
from page 276

8474MS_
page 290



door-stops



8491MS7
page 293



8490MS7-R/L
page 296



8274MS_-R
page 300



8489MS_-R/L
page 298



PONTERE



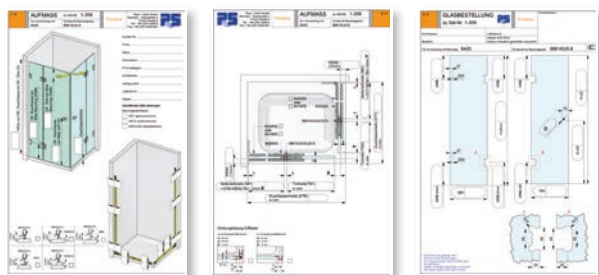
corresponding angle brackets

for PONTERE can be found on page 48.



our service for you!

On www.pauli.de, you can find many different measurement sheets for all standard installations.



■ MADE
■ IN
■ GERMANY



■ shower swing door hinge PONTERE



PONTERE – for special requirements

PONTERE is a high quality, aesthetic highlight for individual solutions for high end projects or private homes. niche, corner, pentagonal or U showers: PONTERE is a hinge that takes on any challenge and offers nearly limitless design possibilities. It closes the door in the last centimeters automatically and the closed position can be adjusted infinitely.

- unlimited adjustment of the closed position
 - infinite adjustable degree function (except 8418MS)
 - quick assembly
 - maintenance free in normal use due to high-grade bearing sleeves
 - useable with or without sealing profile
 - load capacity (two hinges): 50kg (except 8404MS) corresponding to a glass door with the dimension 1000 x 2000 mm and a glass thickness of 10 mm
 - the durability of the hardware has been tested internally according to DIN EN 14428:2015 5.5.
- pivoting point centered and therefore useable as a swing door
 - self-closing during the last 15 - 20°



shower swing door hinge – PONTERE



8430MS view A

8430MS



8430MS view B

8421MS



8406MS

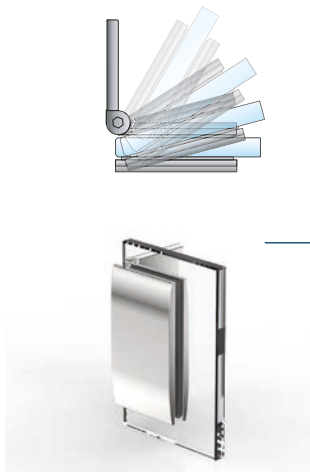


8412MS

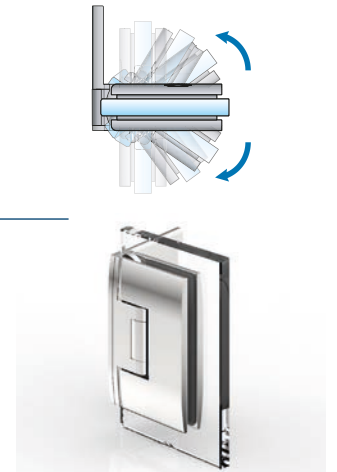
PONTERE

■ adjustable angle when using angle brackets (except 8418MS)

■ closed position can be adjusted as often as needed



8430MS



8406MS

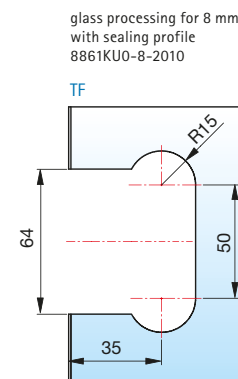
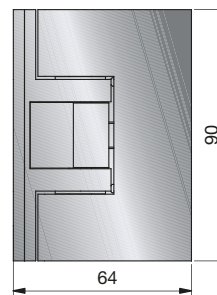
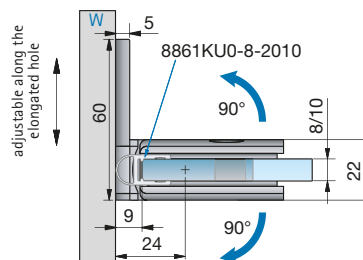
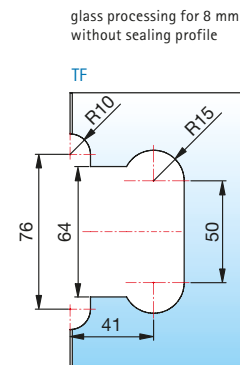
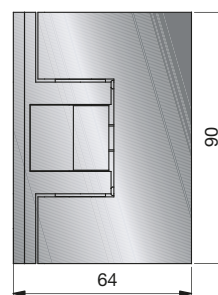
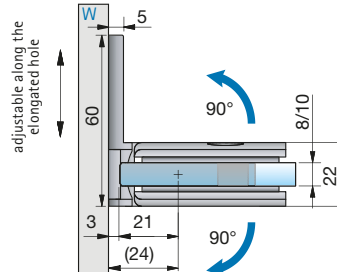
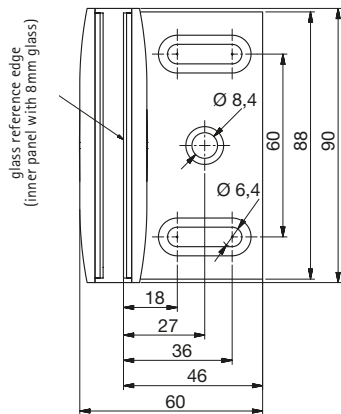


Please note that the instruction manual can be found on page 332.

shower swing door hinge - PONTERE



PONTERE



article no.	finish	glass thickness	article description	features	pu/pieces
8406MS7	gloss chrome	8/10 mm	shower swing door hinge PONTERE	opens in- and outwards 90°, with adjustable closed position, single sided mounting plate	1/2
8406MS10	matt chrome		glass-wall, 90°		
8406MSPVD22	stainless steel optic				

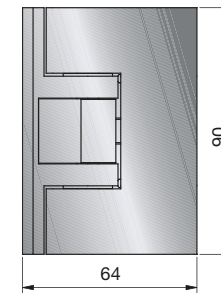
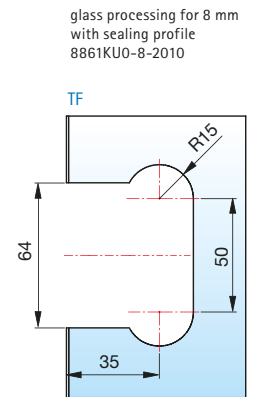
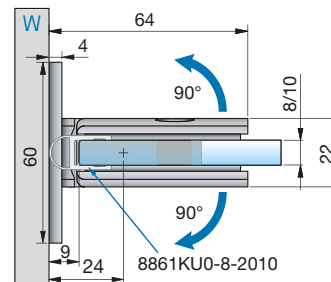
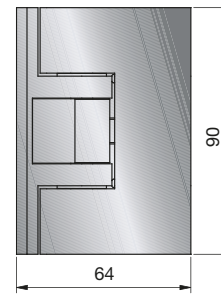
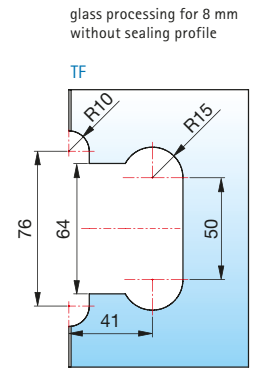
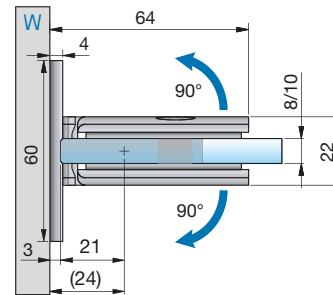
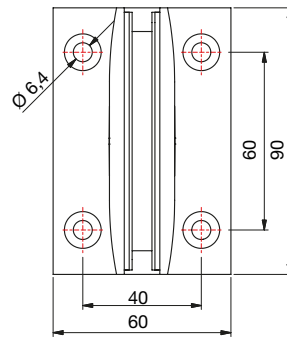
MADE IN GERMANY

When using the hinges for 10 mm glass thickness, please use the insert set Art. No. HZ-SET9 per hinge free of charge.



shower swing door hinge - PONTERE

PONTERE



article no.	finish	glass thickness	article description	features	pu/pieces
8408MS7	gloss chrome	8/10 mm	shower swing door hinge PONTERE	opens in- and outwards 90°, with adjustable closed position, double sided mounting plate	1/2
8408MS10	matt chrome		glass-wall, 90°		
8408MSPVD22	stainless steel optic				



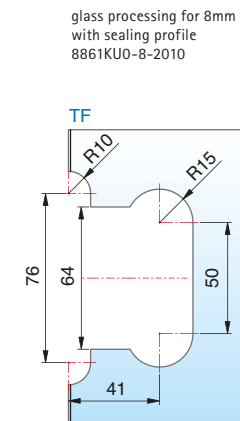
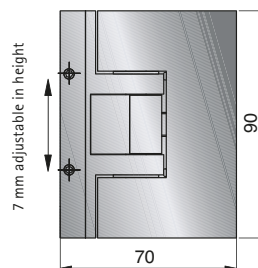
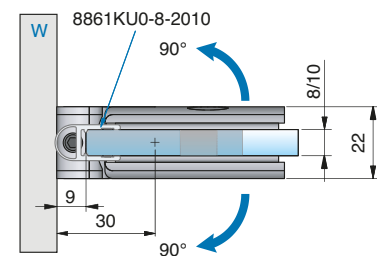
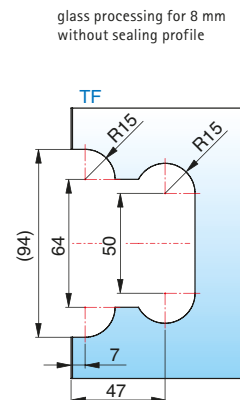
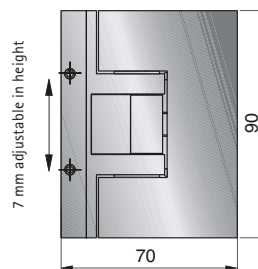
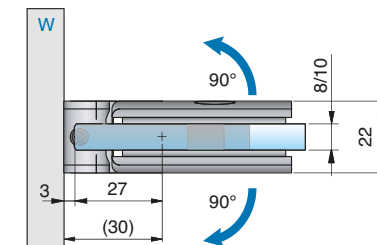
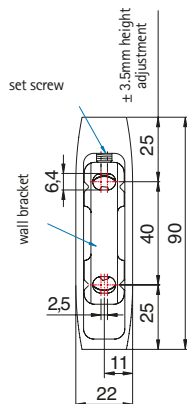
When using the hinges for 10 mm glass thickness, please use the insert set Art. No. HZ-SET9 per hinge free of charge.

ST = side panel TF = door leaf W = wall

shower swing door hinge – PONTERE



PONTERE



loading capacity of 8404 (2 hinges): 35 kg corresponding to a glass door with the dimension 700 x 2000 mm and a glass thickness of 10 mm

article no.	finish	glass thickness	article description	features	pu/pieces
8404MS7	gloss chrome	8/10 mm	shower swing door hinge PONTERE	opens in- and outwards 90°, with adjustable	1/2
8404MS10	matt chrome		glass-wall, 90°	closed position, adjustable in height	
8404MSPVD22	stainless steel optic				

MADE IN GERMANY

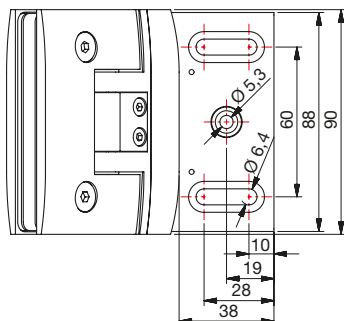
When using the hinges for 10 mm glass thickness, please use the insert set Art. No. HZ-SET9 per hinge free of charge.



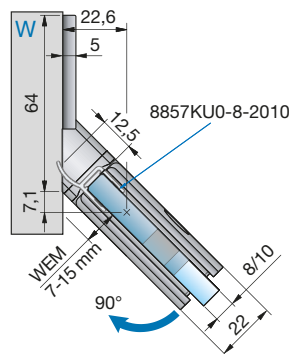


shower swing door hinge - PONTERE

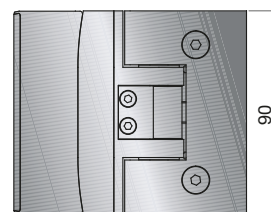
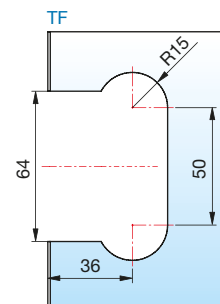
PONTERE



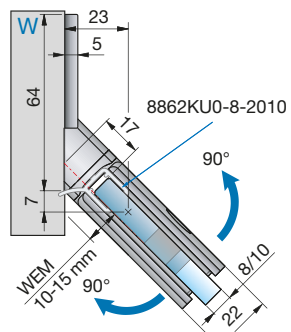
adjustable along the elongated hole



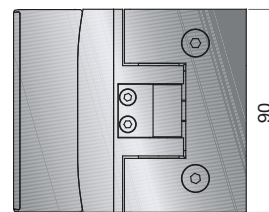
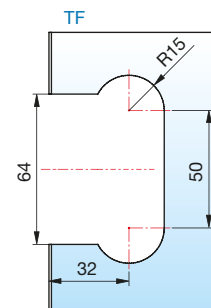
glass processing for 8mm with sealing profile 8857KU0-8-2010



adjustable along the elongated hole



glass processing for 8mm with sealing profile 8862KU0-8-2010



article no.	finish	glass thickness	article description	features	pu/pieces
8414MS7	gloss chrome	8/10 mm	shower swing door hinge PONTERE	opens in- and outwards 90° depending on sealing profile, with adjustable closed position, adjustable along the oblong hole	1/2
8414MS10	matt chrome		glass-wall, 135°		
8414MSPVD22	stainless steel optic				

MADE IN GERMANY

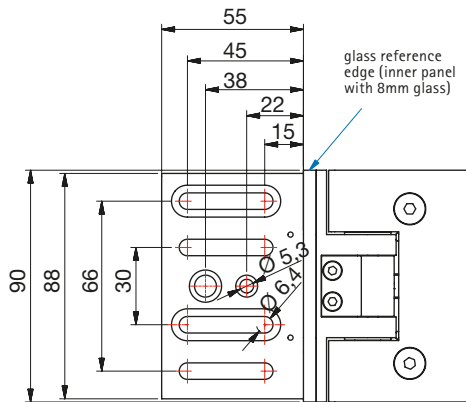
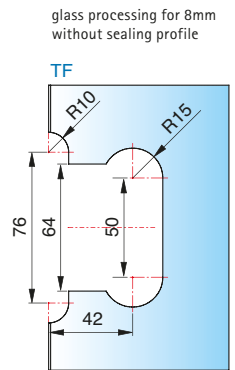
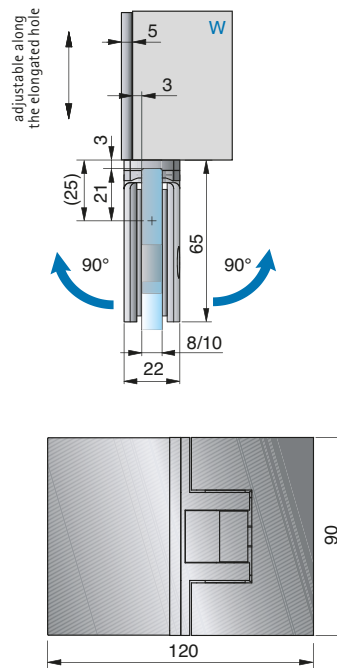
When using the hinges for 10 mm glass thickness, please use the insert set Art. No. HZ-SET9 per hinge free of charge.

ST = side panel TF = door panel W = wall

shower swing door hinge – PONTERE



PONTERE

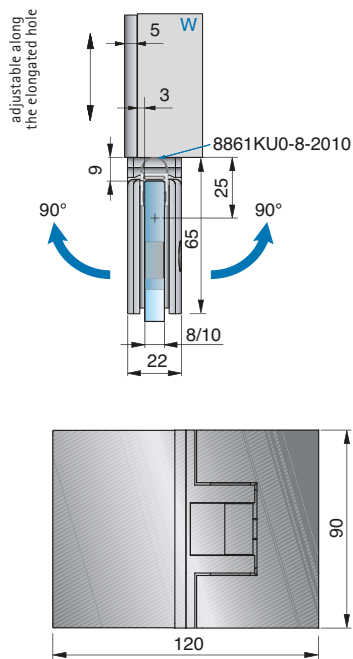


When using the hinges for 10 mm glass thickness, please use the insert set Art. No. HZ-SET9 per hinge free of charge.

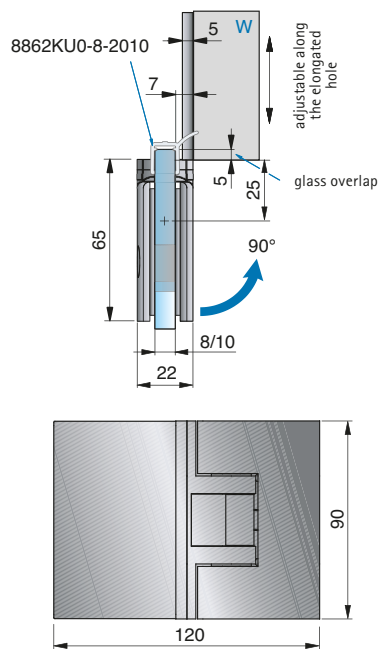
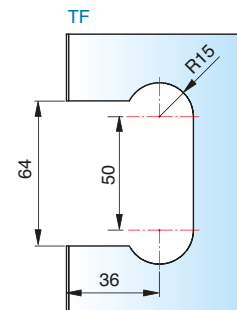


shower swing door hinge - PONTERE

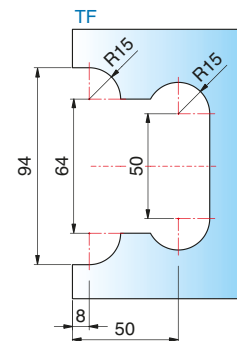
PONTERE



glass processing for 8mm
with sealing profile
8861KU0-8-2010



glass processing for 8mm
with sealing profile
8862KU0-8-2010



article no.	finish	glass thickness	article description	features	pu/pieces
8412MS7	gloss chrome	8/10 mm	shower swing door hinge PONTERE	opens in- and outwards 90°, depending on sealing profile, with adjustable closed position, adjustable along the oblong hole	1/2
8412MS10	matt chrome		glass-wall, 180°		
8412MSPVD22	stainless steel optic				

MADE IN GERMANY

ST = side panel

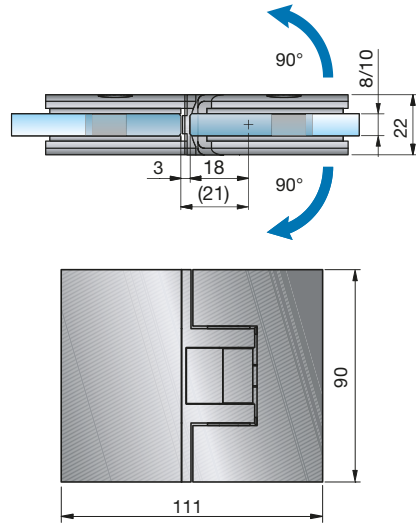
TF = door panel

W = wall

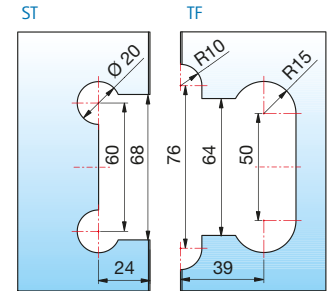
shower swing door hinge – PONTERE



PONTERE



glass processing for 8mm
without sealing profile

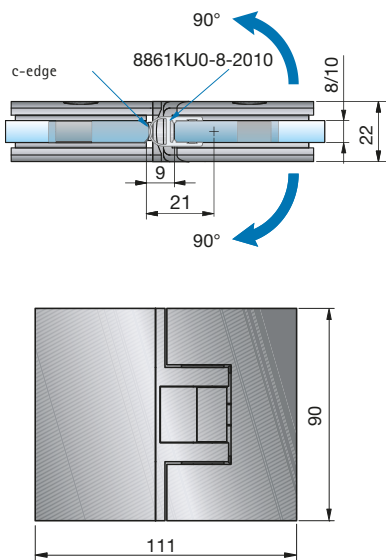


When using the hinges for 10 mm glass thickness, please use the insert set Art. No. HZ-SET7 per hinge free of charge.

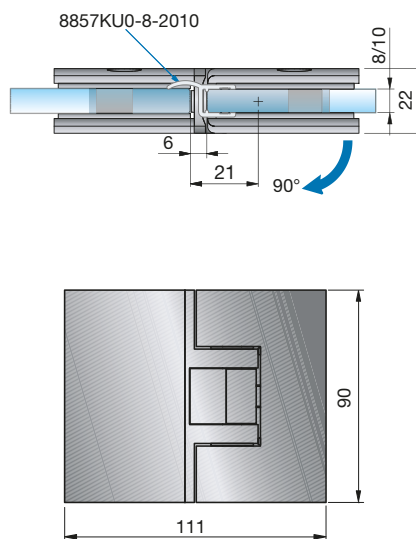
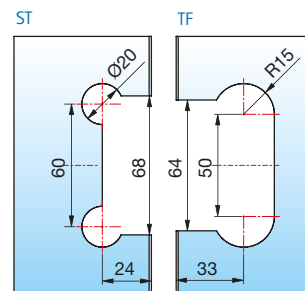


shower swing door hinge - PONTERE

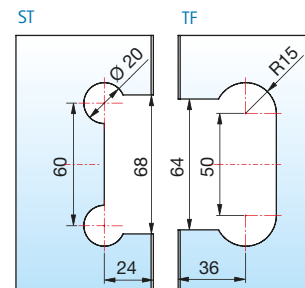
PONTERE



glass processing for 8mm
with sealing profile 8861KU0-8-2010



glass processing for 8mm
with sealing profile 8857KU0-8-2010



article no.	finish	glass thickness	article description	features	pu/pieces
8400MS7	gloss chrome	8/10 mm	shower swing door hinge PONTERE	opens in- and outwards 90°, with adjustable closed position, opens in both directions 90° depending on sealing profile	1/2
8400MS10	matt chrome		glass-glass, 180°		
8400MSPVD22	stainless steel optic				

ST = side panel

TF = door panel

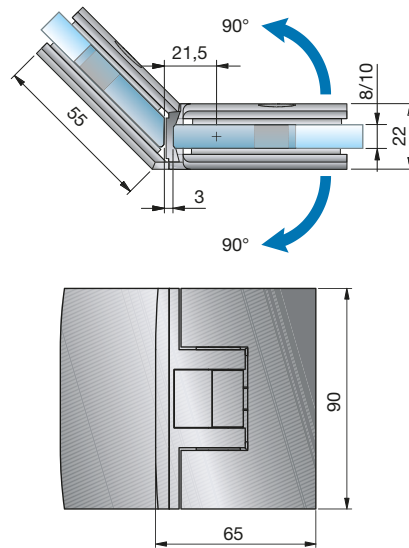
W = wall

MADE IN GERMANY

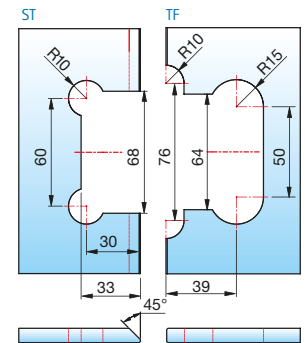
shower swing door hinge – PONTERE



PONTERE



glass processing for 8 mm
without sealing profile

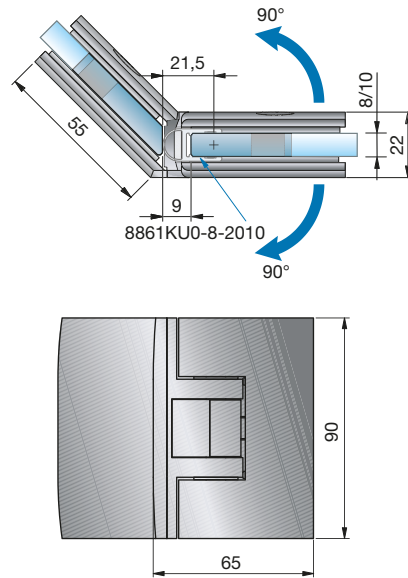


When using the hinges for 10 mm glass thickness, please use the insert set Art. No. HZ-SET8 per hinge free of charge.

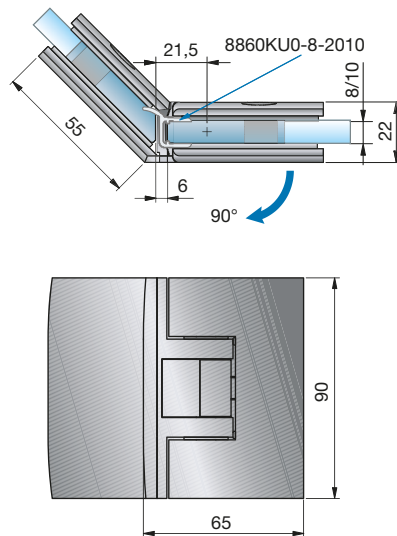
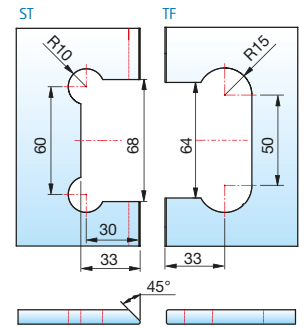


shower swing door hinge - PONTERE

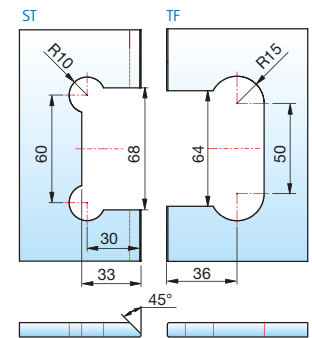
PONTERE



glass processing for 8 mm
with sealing profile 8861KU0-8-2010



glass processing for 8 mm
with sealing profile 8860KU0-8-2010



article no.	finish	glass thickness	article description	features	pu/pieces
8402MS7	gloss chrome	8/10 mm	shower swing door hinge PONTERE	opens in- and outwards 90°, with adjustable closed position, opens in both directions 90° depending on sealing profile	1/2
8402MS10	matt chrome		glass-glass, 135°		
8402MSPVD22	stainless steel optic				

MADE IN GERMANY

ST = side panel

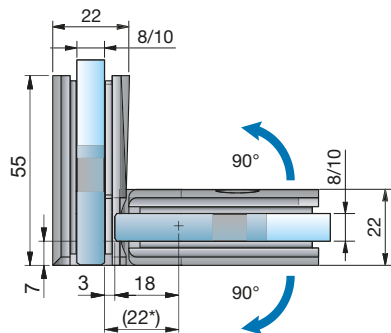
TF = door panel

W = wall

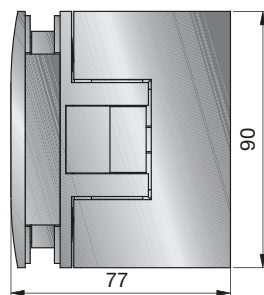
shower swing door hinge – PONTERE



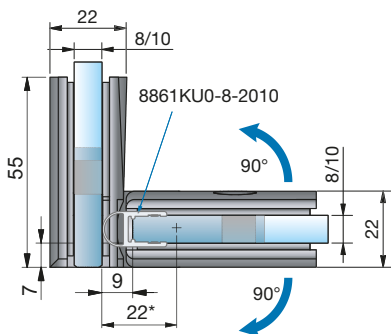
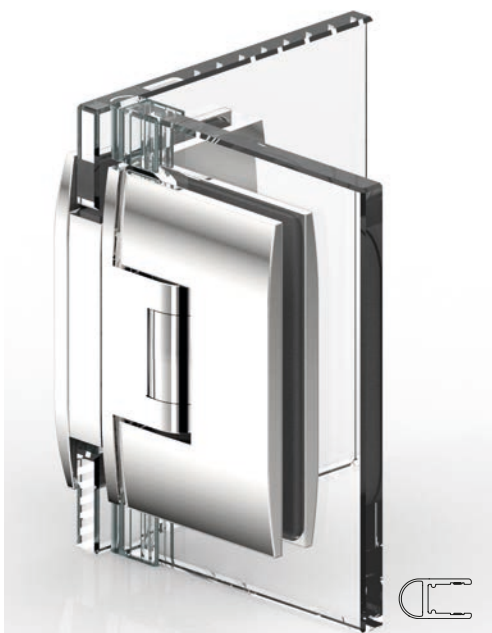
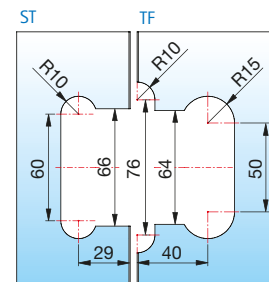
PONTERE



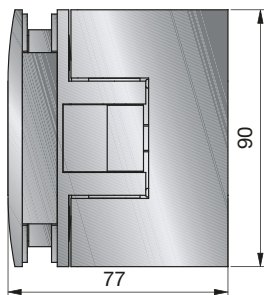
* 21 mm with 10mm glass



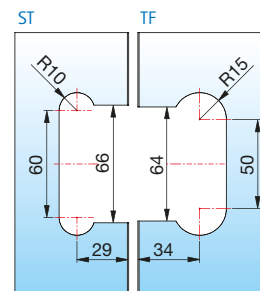
glass processing for 8 mm without sealing profile



* 21 mm with 10mm glass



glass processing for 8 mm with sealing profile 8861KU0-8-2010



article no.	finish	glass thickness	article description	features	pu/pieces
8410MS7	gloss chrome	8/10 mm	shower swing door hinge PONTERE	opens in- and outwards 90°, with adjustable closed position	1/2
8410MS10	matt chrome		glass-glass, 90°		
8410MSPVD22	stainless steel optic				

MADE IN GERMANY

When using the hinges for 10 mm glass thickness, please use the insert set Art. No. HZ-SET10 per hinge free of charge.

ST = side panel

TF = door panel

W = wall





- to stabilize the shower, we recommend the VIVERE railing in stainless steel for even more stability.

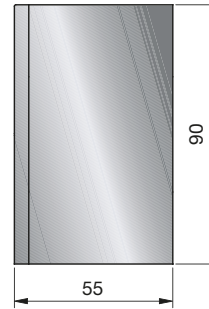
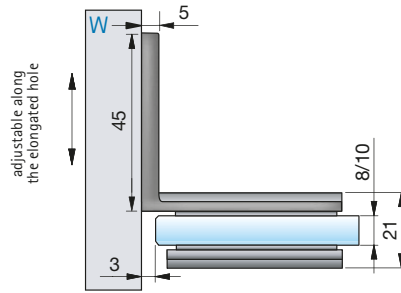


- by positioning the glass within the shower area you can install the shower without the usage of seals. In this case, it is important to consider the angle of the water spray onto the glass.

angle bracket - PONTERE

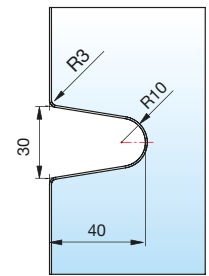
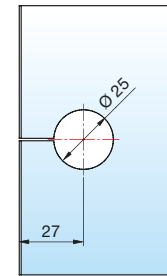


PONTERE



glass processing for 8/10 mm glass

hole \varnothing 25 mm or edge recess R40



article no.	finish	glass thickness	article description	features	pu/pieces
8418MS7	gloss chrome	8/10 mm	angle bracket PONTERE	fixed, adjustable within the recess	1/2
8418MS10	matt chrome		glass-wall, 90°		
8418MSPVD22	stainless steel optic				

MADE
IN
GERMANY



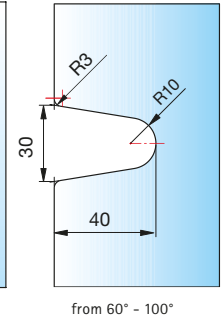
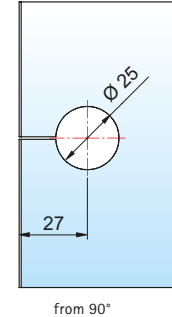
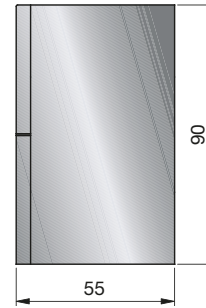
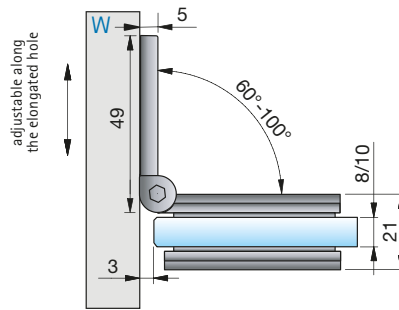
angle bracket - PONTERE

PONTERE

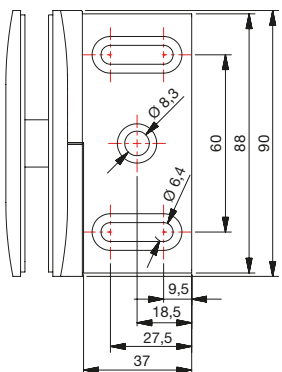
glass processing for 8 mm glass

with other angles the miter angle and/or hole distance is changing according to table.

hole \varnothing 25 mm or edge recess R40



article no.	finish	glass thickness	article description	features	pu/pieces
8430MS7	gloss chrome	8/10 mm	angle bracket PONTERE	degree of angle is fully adjustable between 60° and 100°, adjustable along the oblong hole	1/2
8430MS10	matt chrome		glass-wall, 90°		
8430MSPVD22	stainless steel optic				



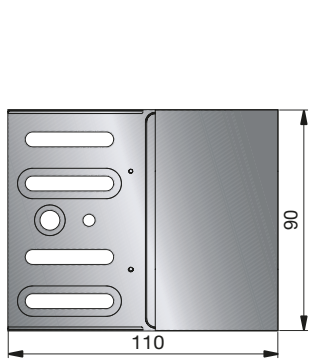
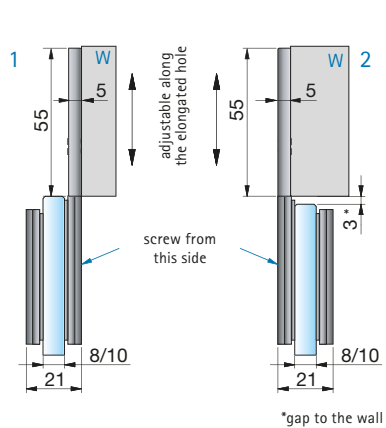
mounting bracket for 8418 and 8430

corner	hole dimensions from glass edge	miter angle	remarks
60°	35 mm	30°	-
65°	33 mm	25°	-
70°	32 mm	20°	-
75°	31 mm	15°	-
80°	29 mm	10°	-
85°	28 mm	5°	hole slotted
90°	27 mm	without miter angle	hole slotted
95°	26 mm	5°	hole slotted
100°	26 mm	10°	hole slotted

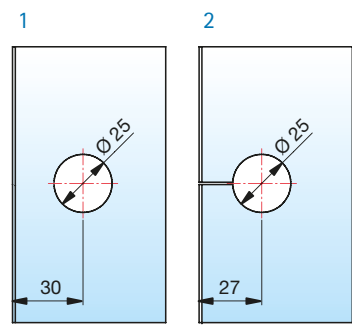
angle bracket - PONTERE



PONTERE

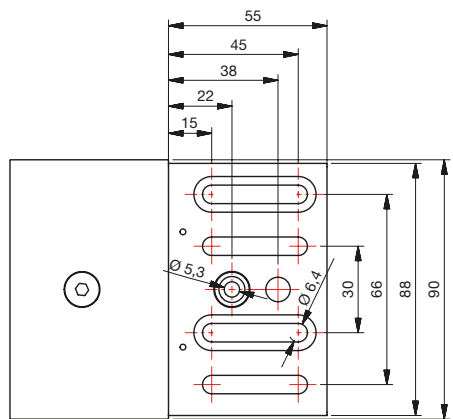


glass processing for 8 mm glass



article no.	finish	glass thickness	article description	features	pu/pieces
8428MS7	gloss chrome	8/10 mm	connector PONTERE	adjustable along the oblong hole and comes with mounting plate, screw side usable left or right	1/2
8428MS10	matt chrome		glass-wall, 180°		
8428MSPVD22	stainless steel optic				

MADE IN GERMANY



mounting bracket for 8428

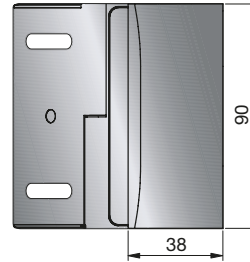
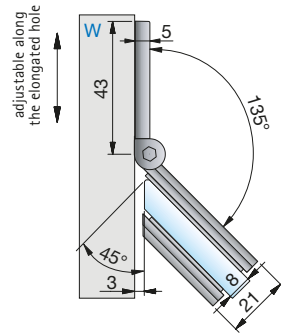
W = wall





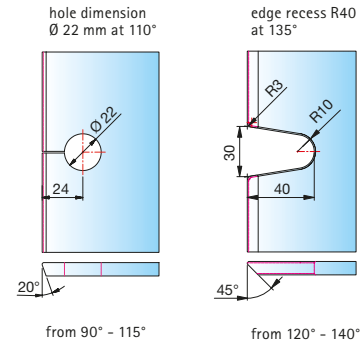
angle bracket - PONTERE

PONTERE



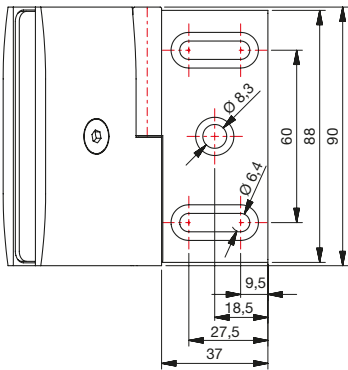
glass processing for 8 mm glass

with other angles the miter angle and/or hole distance is changing according to table.



article no.	finish	glass thickness	article description	features	pu/pieces
8427MS7	gloss chrome	8/10 mm	angle bracket PONTERE	degree of angle is fully adjustable between 90° - 140°, adjustable within the recess	1/2
8427MS10	matt chrome		glass-wall 135°		
8427MSPVD22	stainless steel optic				

MADE IN GERMANY



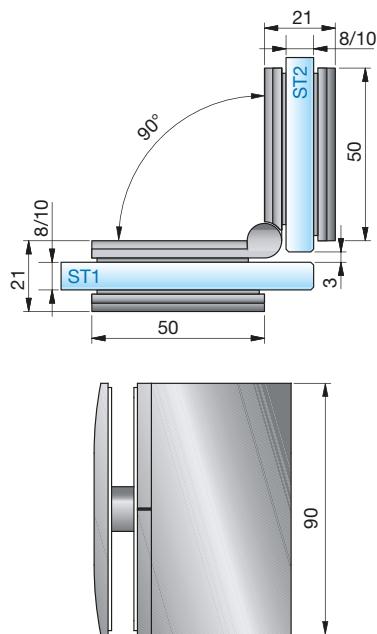
mounting bracket for 8427

miter angle and hole dimensions for 8427MS				
corner	hole dimensions from glass edge	miter angle	glass processing	remarks
90°	27 mm	0°	hole	-
95°	26 mm	5°	hole	hole slotted
100°	26 mm	10°	hole	hole slotted
105°	25 mm	15°	hole	hole slotted
110°	24 mm	20°	hole	hole slotted
115°	24 mm	25°	hole	hole slotted
120°		30°	edge recess R40	-
125°		35°	edge recess R40	-
130°		40°	edge recess R40	-
135°		45°	edge recess R40	-
140°		50°	edge recess R40	-

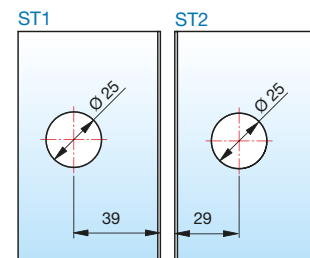
angle bracket - PONTERE



PONTERE

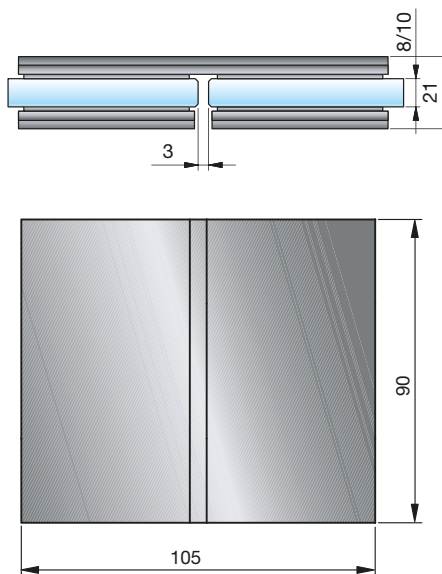


glass processing for 8 mm glass

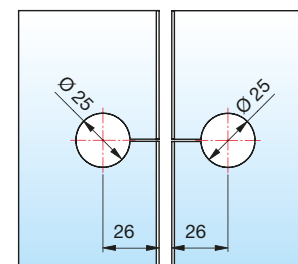


article no.	finish	glass thickness	article description	features	pu/pieces
8421MS7	gloss chrome	8/10 mm	angle bracket PONTERE	degree of angle is fully adjustable	1/2
8421MS10	matt chrome		glass-glass, 90°	between 80° and 180°	
8421MSPVD22	stainless steel optic				

MADE IN GERMANY



glass processing for 8/10 mm glass



article no.	finish	glass thickness	article description	features	pu/pieces
8422MS7	gloss chrome	8/10 mm	connector PONTERE	fixed	1/2
8422MS10	matt chrome		glass-glass, 180°		
8422MSPVD22	stainless steel optic				

MADE IN GERMANY

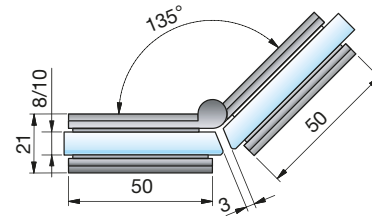
W = wall





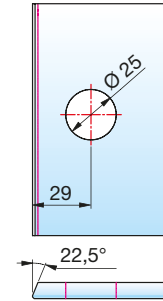
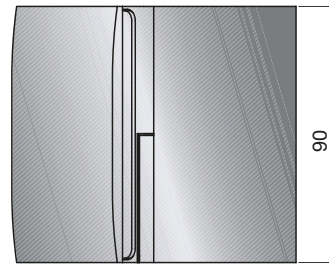
angle bracket - PONTERE

PONTERE



glass processing for 8 mm glass

with other angles the miter angle and/or hole distance is changing according to table.



article no.	finish	glass thickness	article description	features	pu/pieces
8425MS7	gloss chrome	8/10 mm	angle bracket PONTERE	degree of angle is fully adjustable	1/2
8425MS10	matt chrome		glass-glass, 135°	between 80° and 180°	
8425MSPVD22	stainless steel optic				

MADE
IN
GERMANY

miter angle and hole dimensions for 8421MS / 8425MS				miter angle and hole dimensions for 8421MS / 8425MS			
corner	hole dimensions from glass edge	miter angle	remarks	corner	hole dimensions from glass edge	miter angle	remarks
80°	38 mm	50°	-	135°	29 mm	22,5°	-
85°	37 mm	47,5°	-	140°	28 mm	20°	hole slotted
90°	36 mm	45°	-	145°	27 mm	17,5°	hole slotted
95°	35 mm	42,5°	-	150°	27 mm	15°	hole slotted
100°	34 mm	40°	-	155°	26 mm	12,5°	hole slotted
105°	33 mm	37,5°	-	160°	26 mm	10°	hole slotted
110°	32 mm	35°	-	165°	25 mm	7,5°	hole slotted
115°	31 mm	32,5°	-	170°	25 mm	5°	hole slotted
120°	31 mm	30°	-	175°	24 mm	0°	hole slotted
125°	30 mm	27,5°	-	180°	24 mm	0°	hole slotted
130°	29 mm	25°	-				



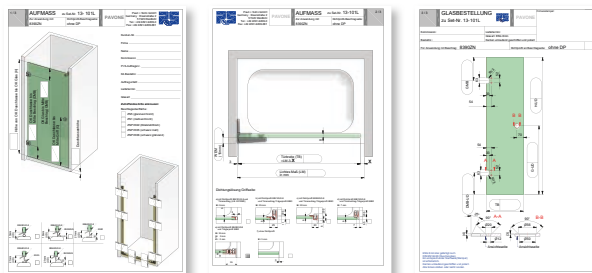
corresponding angle brackets

for PAVONE can be found on page 66.



our service for you!

On www.pauli.de, you can find many different measurement sheets for all standard installations.



**MADE
IN
GERMANY**



PAVONE

- PAVONE – new flush lifting swing door hinge



8393ZN



8397ZN

PAVONE – highest demands on functionality and aesthetic

With our new innovative developments in the lifting hinge area we give you the possibility, depending on the application, to build the shower without seals.

- 90° opens in- and outwards
- lifting function
- with flush screws
- self-closing during the lowering process
- fully adjustable closed position
- load capacity (2 hinges): 36 kg corresponds to a maximum door panel size of 900 x 2000mm with 8 mm glass thickness
- optimized for assembly without seals depending on the building situation (3mm gap to the wall with modified glass processing with mitered edge)
- the durability of the hardware has been tested internally according to DIN EN 14428:2015 5.5.



PAVONE – new flush lifting swing door hinge



8390ZN



8392ZN



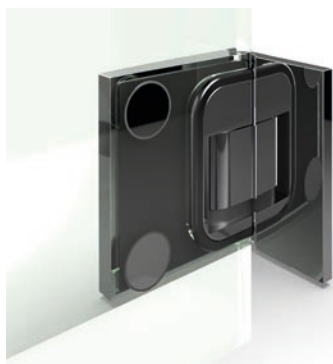
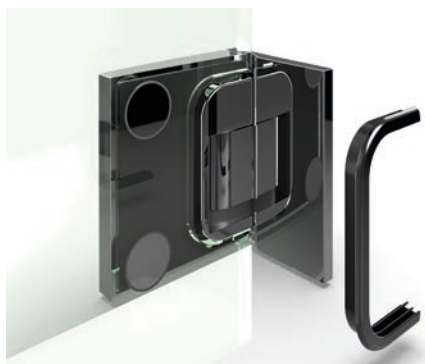
8399ZN



PAVONE

- flush glass mounting for simpler cleaning
- lifting function - lifts 6 mm, after approx. 54°
- self-closing during the lowering process

■ all hinges available also in black



■ for a smooth assembly process:
insert the sealing gasket before aligning the panel.

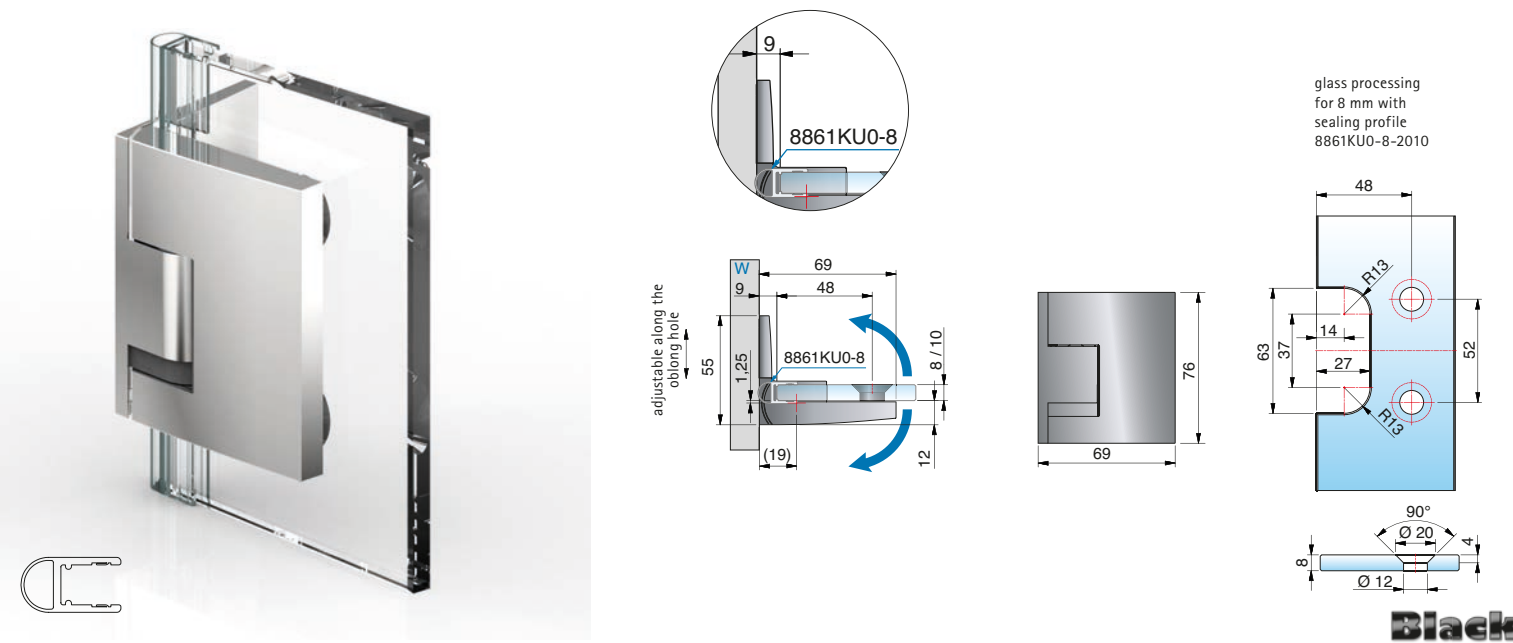
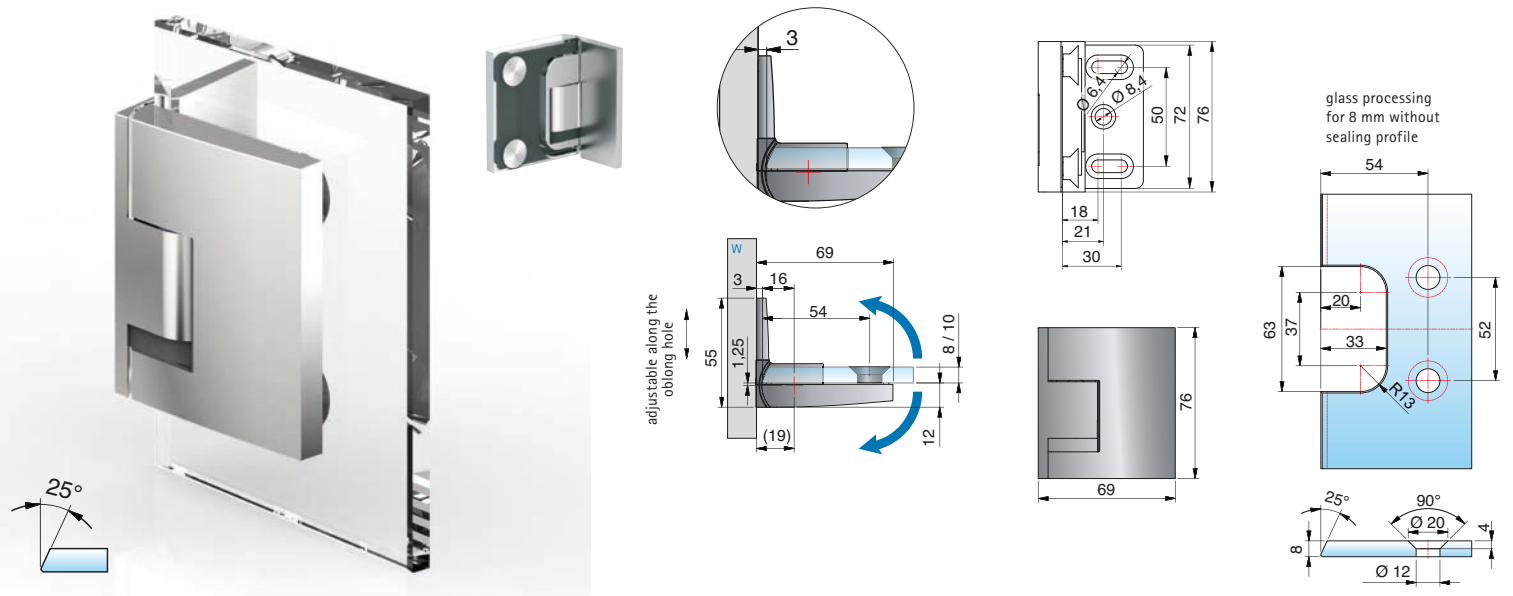


Please note that the instruction manual can be found on page 332.

PAVONE – new flush lifting swing door hinge



PAVONE



**Black
EDITION**

article no.	finish	glass thickness	article description	features	pu/pieces
8390ZN5-L	gloss chrome	8/10 mm	PAVONE – shower swing door hinge	glass fixtures flush, concealed screws with cover plate, point fixture	1/2
8390ZN1-L	matt chrome		glass-wall 90°	assembly adjustable independent of each other ± 2 mm in any	
8390ZNPVD22-L	stainless steel optic		mounted on the left,	direction, closed position adjustable. assembly without side seal	
8390ZNPVD35-L	black matt		opening in- and outwards	possible with altered glass processing	
8390ZNPVD36-L	black gloss				

MADE
IN
GERMANY

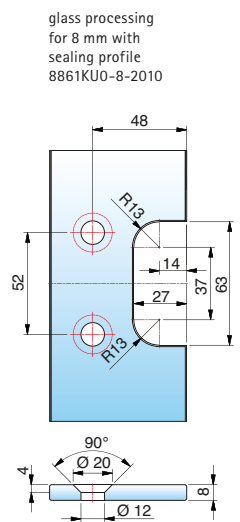
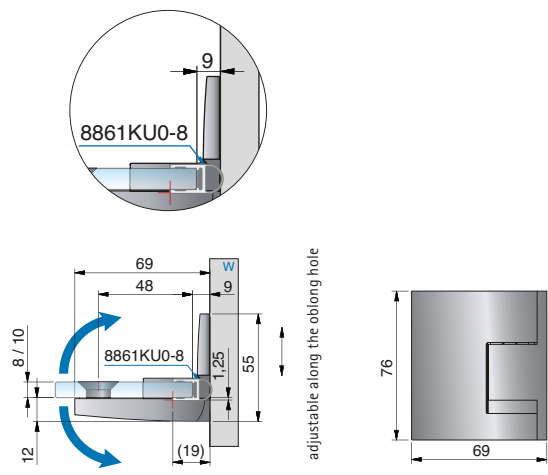
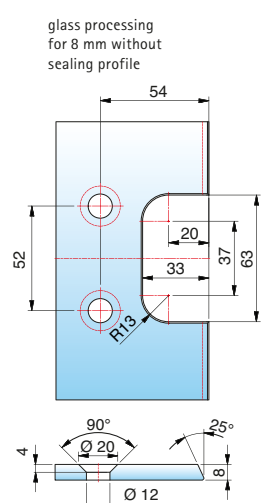
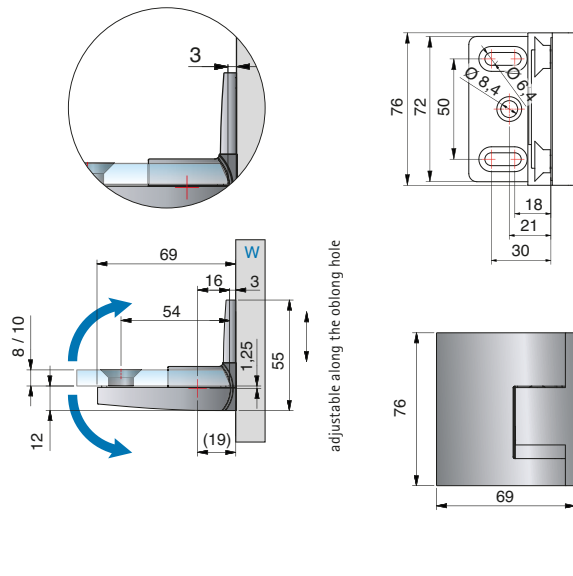
Attention: Please note the information on page 68!





PAVONE – new flush lifting swing door hinge

PAVONE



article no.	finish	glass thickness	article description	features	pu/pieces
8390ZN5-R	gloss chrome	8/10 mm	PAVONE – shower swing door hinge	glass fixtures flush, concealed screws with cover plate, point fixture	1/2
8390ZN1-R	matt chrome		glass-wall 90°	assembly adjustable independent of each other ± 2 mm in any	
8390ZNPVD22-R	stainless steel optic		mounted on the right,	direction, closed position adjustable. assembly without side seal	
8390ZNPVD35-R	black matt		opening in- and outwards	possible with altered glass processing	
8390ZNPVD36-R	black gloss				

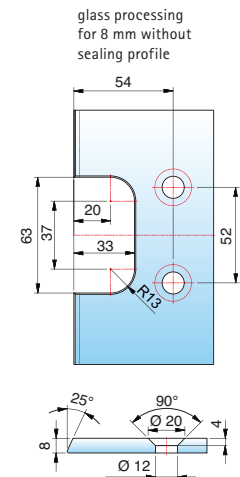
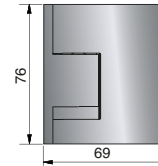
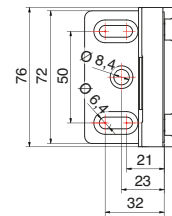
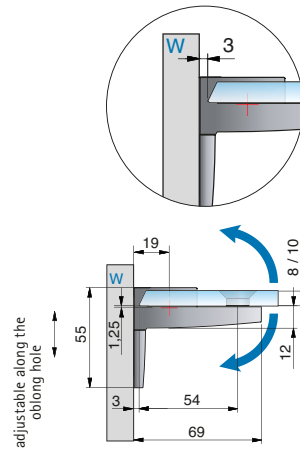
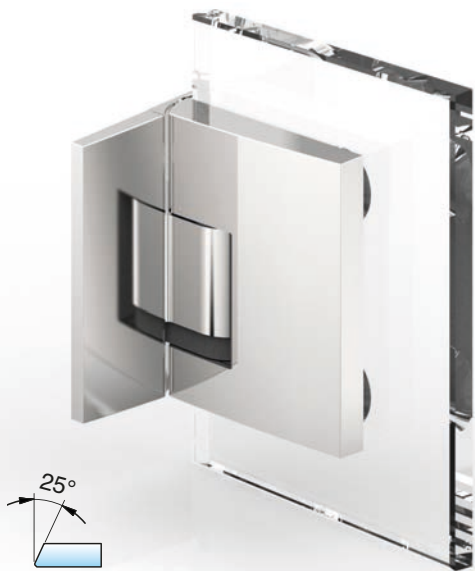
MADE IN GERMANY

TF = door panel W = wall

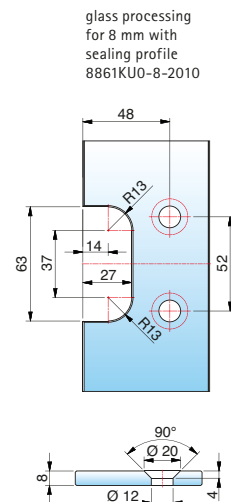
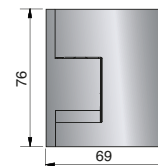
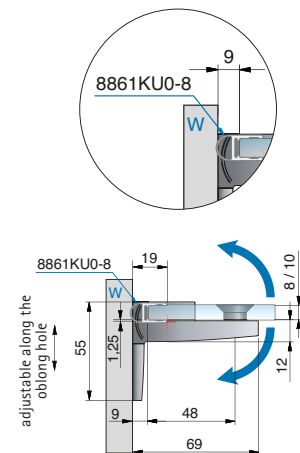
PAVONE – new flush lifting swing door hinge



PAVONE



glass processing for 8 mm without sealing profile



glass processing for 8 mm with sealing profile 8861KU0-8-2010

Black EDITION

article no.	finish	glass thickness	article description	features	pu/pieces
8391ZN5-L	gloss chrome	8/10 mm	PAVONE – shower swing door hinge	glass fixtures flush, concealed screws with cover plate, point fixture	1/2
8391ZN1-L	matt chrome		glass-wall 90°	assembly adjustable independent of each other ± 2 mm in any	
8391ZNPVD22-L	stainless steel optic		mounted on the left,	direction, closed position adjustable	
8391ZNPVD35-L	black matt		opening in- and outwards,		
8391ZNPVD36-L	black gloss		wall plate outside		

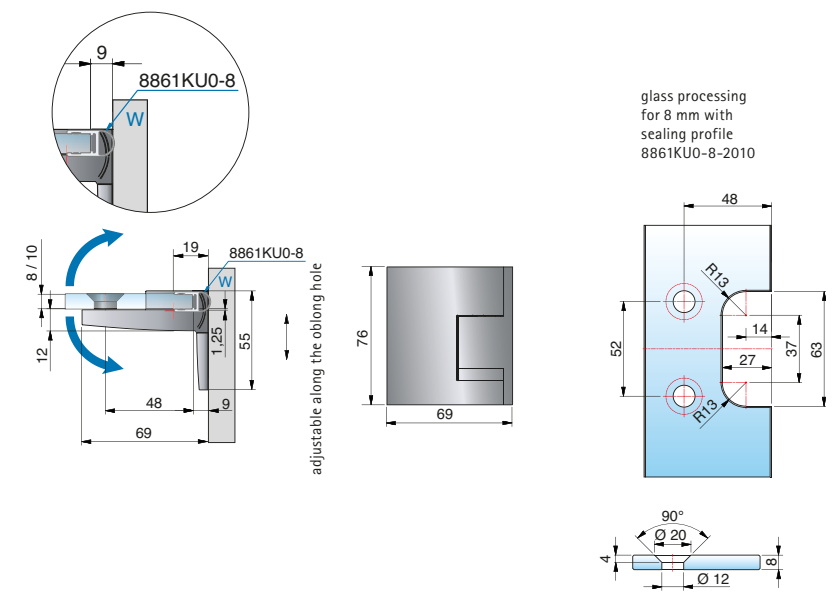
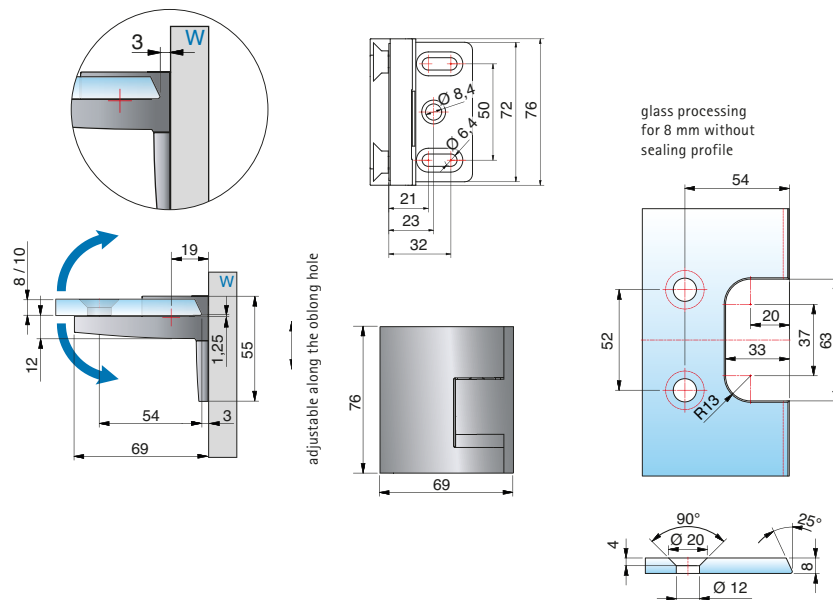
MADE IN GERMANY

Attention: Please note the information on page 68!



PAVONE – new flush lifting swing door hinge

PAVONE



**Black
EDITION**

article no.	finish	glass thickness	article description	features	pu/pieces
8391ZN5-R	gloss chrome	8/10 mm	PAVONE – shower swing door hinge	glass fixtures flush, concealed screws with cover plate, point fixture	1/2
8391ZN1-R	matte chrome		glass-wall 90°	assembly adjustable independent of each other ± 2 mm in any	
8391ZNPVD22-R	stainless steel optic		mounted on the right,	direction, closed position adjustable	
8391ZNPVD35-R	black matt		opening in- and outwards		
8391ZNPVD36-R	black gloss		wall plate outside		

MADE
IN
GERMANY

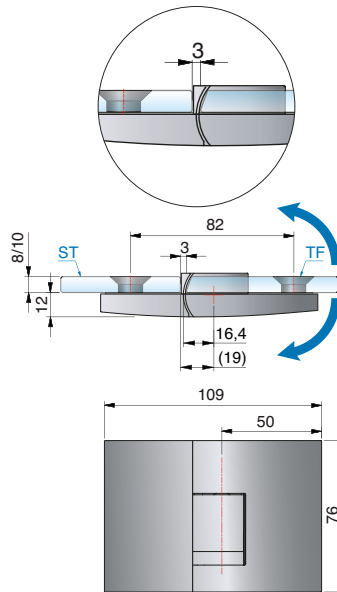
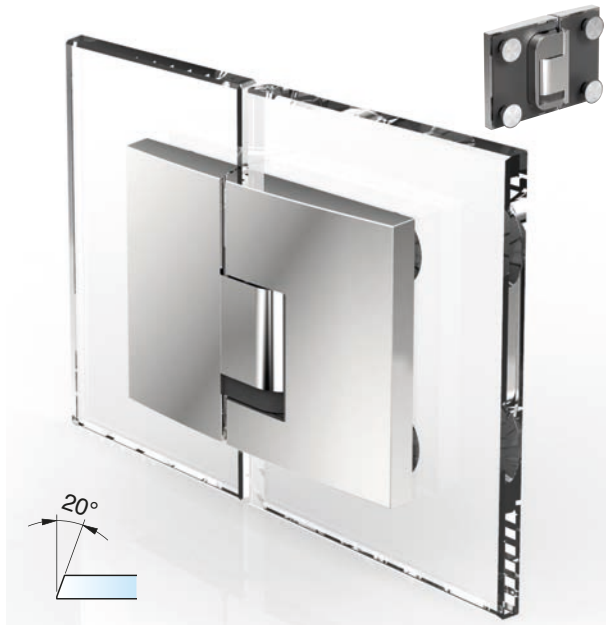
TF = door panel

W = wall

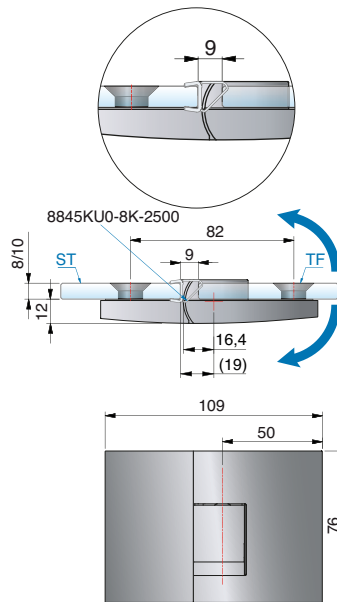
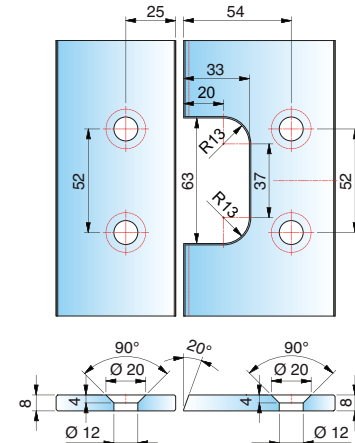
PAVONE – new flush lifting swing door hinge



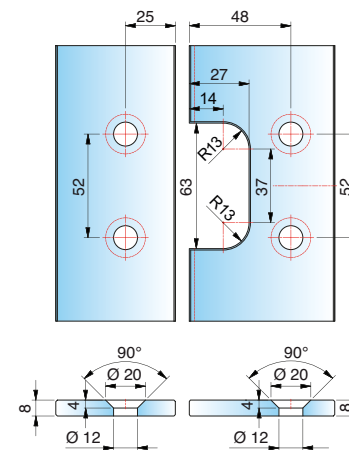
PAVONE



glass processing for 8 mm without sealing profile



glass processing for 8 mm with sealing profile 8861KU0-8-2010



Black EDITION

article no.	finish	glass thickness	article description	features	pu/pieces
8392ZN5-L	gloss chrome	8/10	PAVONE – shower swing door hinge	glass fixtures flush, concealed screws with cover plate, point fixture	1/2
8392ZN1-L	matt chrome		glass-glass 180°, mounted on the left,	assembly adjustable independent of each other ± 2 mm in any	
8392ZNPVD22-L	stainless steel optic		opening in- and outwards	direction, closed position adjustable	
8392ZNPVD35-L	black matt				
8392ZNPVD36-L	black gloss				

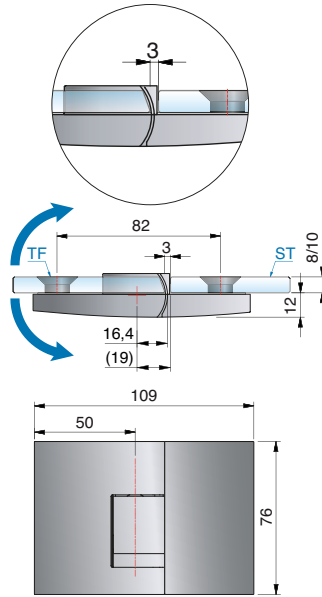
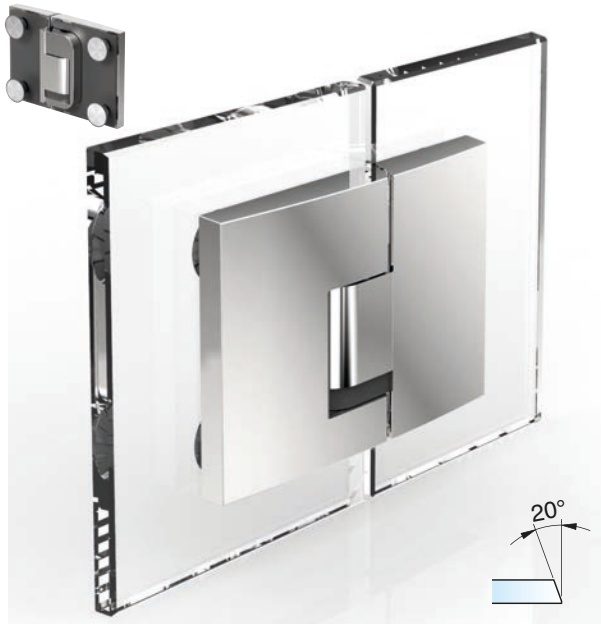
MADE IN GERMANY

Attention: Please note the information on page 68!

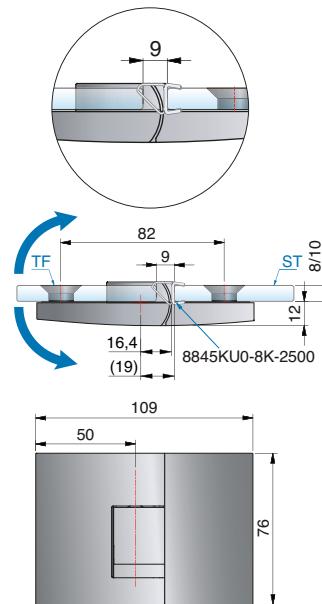
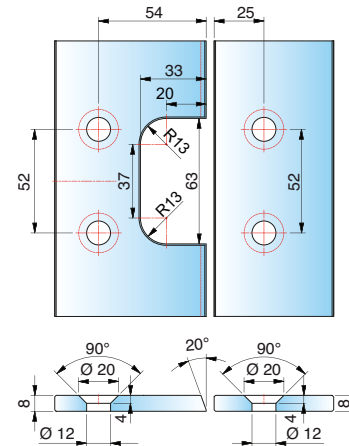


PAVONE – new flush lifting swing door hinge

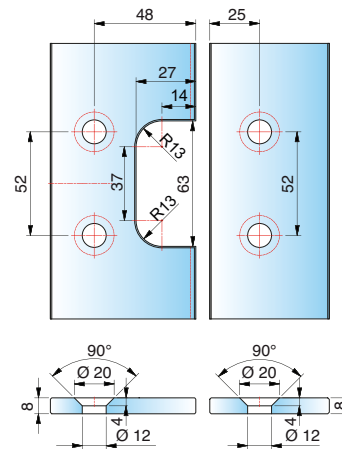
PAVONE



glass processing for 8 mm
without sealing profile



glass processing for 8 mm with
sealing profile 8861KU0-8-2010



**Black
EDITION**

article no.	finish	glass thickness	article description	features	pu/pieces
8392ZN5-R	gloss chrome	8/10	PAVONE – shower swing door hinge	glass fixtures flush, concealed screws with cover plate, point fixture	1/2
8392ZN1-R	matt chrome		glass-glass 180°, mounted on the right,	assembly adjustable independent of each other ± 2 mm in any	
8392ZNPVD22-R	stainless steel optic		opening in- and outwards	direction, closed position adjustable	
8392ZNPVD35-R	black matt				
8392ZNPVD36-R	black gloss				

MADE
IN
GERMANY

TF = door panel

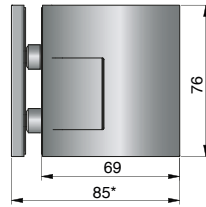
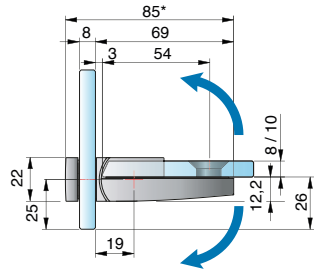
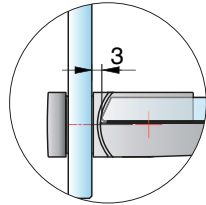
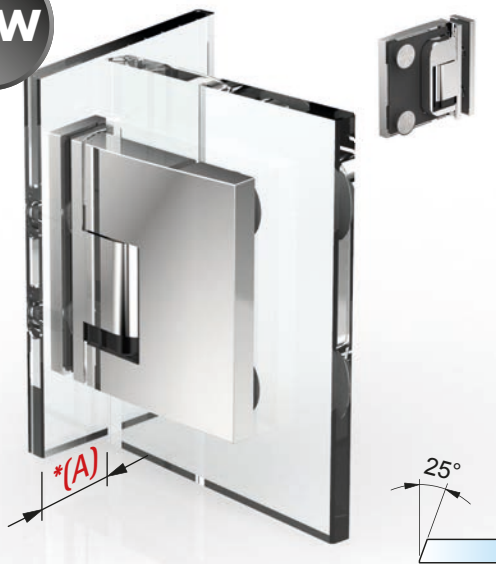
W = wall

PAVONE – new flush lifting swing door hinge

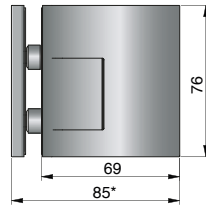
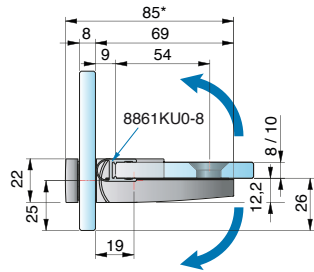
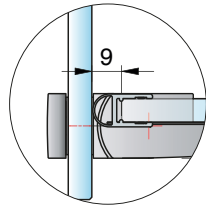
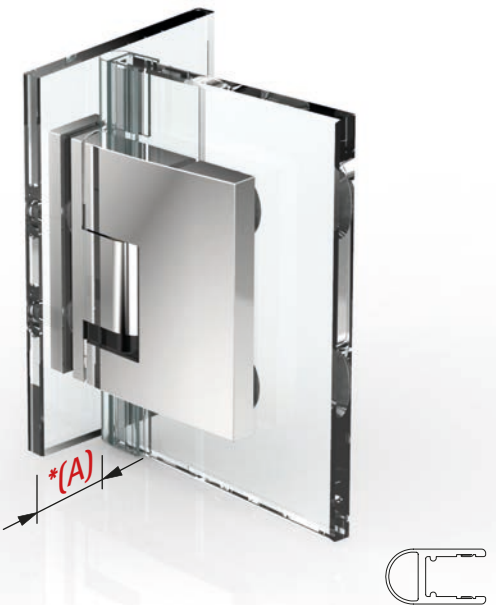
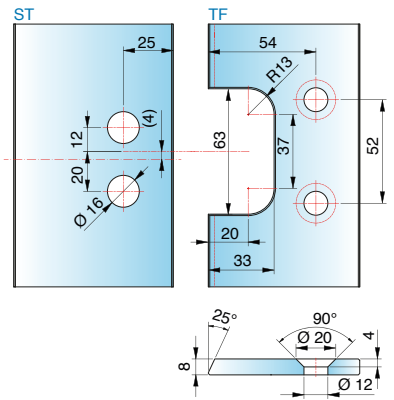


PAVONE

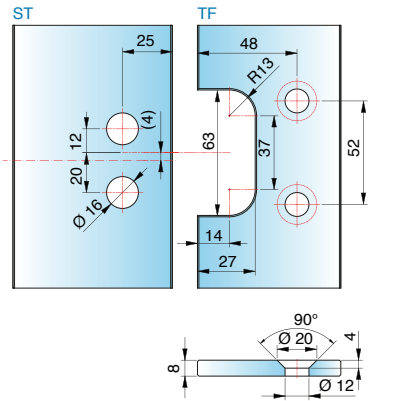
NEW



glass processing for 8 mm
without sealing profile



glass processing for 8 mm
with sealing profile 8861KU0-8-2010



**Black
EDITION**

article no.	finish	glass thickness	article description	features	pu/pieces
8393ZN5-L	gloss chrome	8/10 mm	PAVONE – shower swing door hinge	glass fixtures flush, concealed screws with cover plate, point fixture	1/2
8393ZN1-L	matt chrome		glass-glass 90°, mounted on the left,	assembly adjustable independent of each other ± 2 mm in any	
8393ZNPVD22-L	stainless steel optic		opening in- and outwards	direction, closed position adjustable	
8393ZNPVD35-L	black matt			*offset dimension (A) on the side panel can be determined by the installer	
8393ZNPVD36-L	black gloss			max. door width: 750 mm max. door weight: 30 kg	

MADE
IN
GERMANY

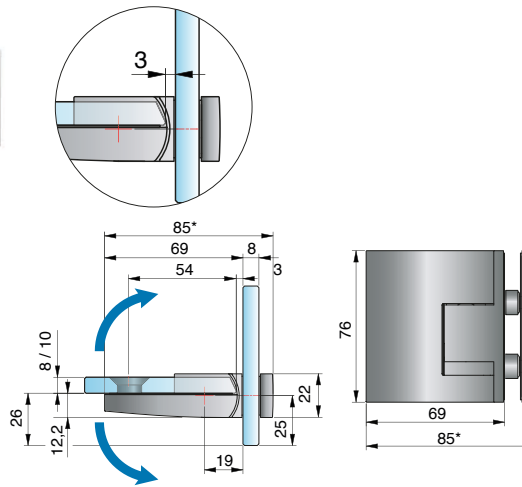
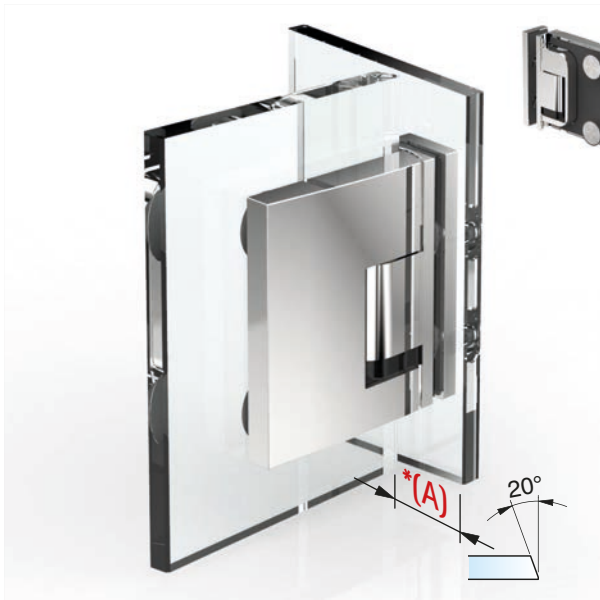
Attention: Please note the information on page 68!



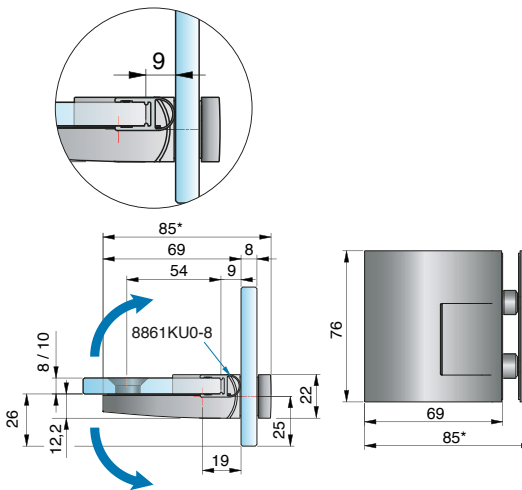
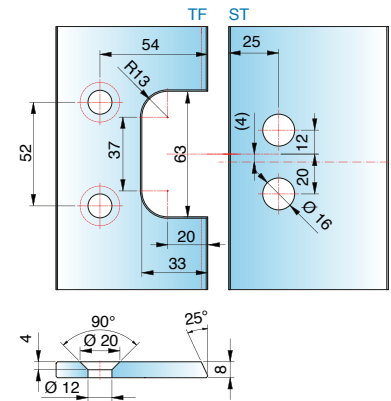


PAVONE – new flush lifting swing door hinge

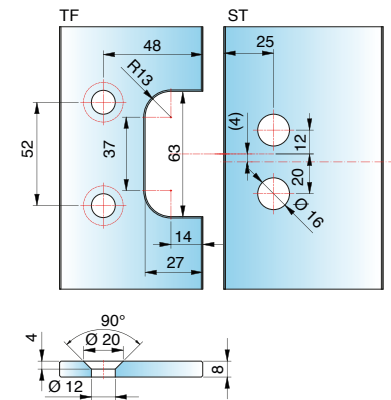
PAVONE



glass processing for 8 mm
without sealing profile



glass processing for 8 mm
with sealing profile 8861KU0-8-2010



**Black
EDITION**

article no.	finish	glass thickness	article description	features	pu/pieces
8393ZN5-R	gloss chrome	8/10 mm	PAVONE – shower swing door hinge	glass fixtures flush, concealed screws with cover plate, point fixture	1/2
8393ZN1-R	matt chrome		glass-glass 90°, mounted on the right,	assembly adjustable independent of each other ± 2 mm in any	
8393ZNPVD22-R	stainless steel optic		opening in- and outwards	direction, closed position adjustable	
8393ZNPVD35-R	black matt			*offset dimension (A) on the side panel can be determined by the	
8393ZNPVD36-R	black glass			installer	

MADE
IN
GERMANY

max. door width: 750 mm
max. door weight: 30 kg

TF = door panel

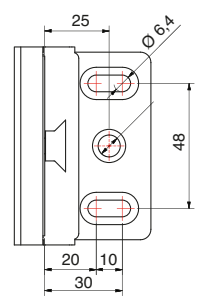
W = wall



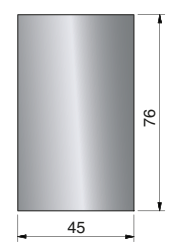
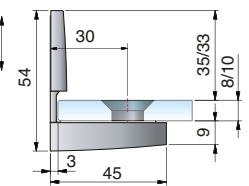
PAVONE – angle bracket



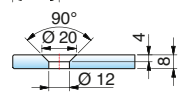
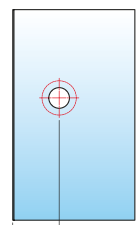
PAVONE



adjustable along the oblong hole



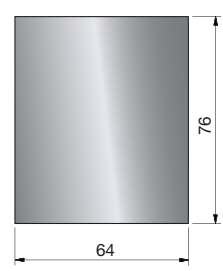
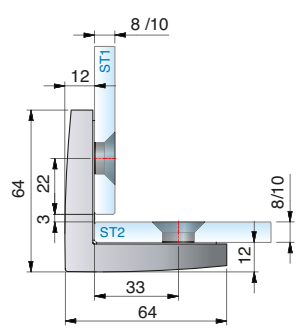
glass processing for 8 mm without sealing profile



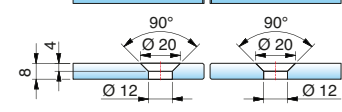
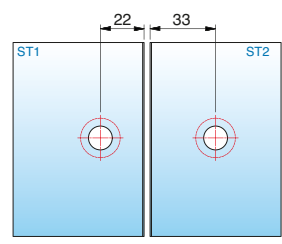
Black EDITION

article no.	finish	glass thickness	article description	features	pu/pieces
8398ZN5	gloss chrome	8/10 mm	PAVONE – angle bracket	glass mount flush, bracket inside with oblong adjustment,	1/2
8398ZN1	matt chrome		glass-wall 90°	cover plate, point fixtures adjustable ± 2mm in any direction	
8398ZNPVD22	stainless steel optic				
8398ZNPVD35	black matt				
8398ZNPVD36	black gloss				

MADE IN GERMANY



glass processing for 8 mm with sealing profile 8861KU0-8-2010



Black EDITION

article no.	finish	glass thickness	article description	features	pu/pieces
8399ZN5	gloss chrome	8/10 mm	PAVONE – angle bracket	glass mount flush, cover plate, point fixtures adjustable ± 2mm in any	1/2
8399ZN1	matt chrome		glass-glass 90°	direction	
8399ZNPVD22	stainless steel optic				
8399ZNPVD35	black matt				
8399ZNPVD36	black gloss				

MADE IN GERMANY

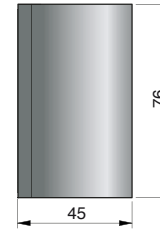
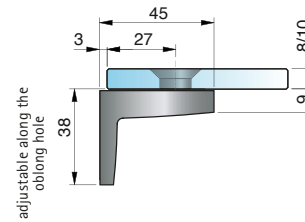
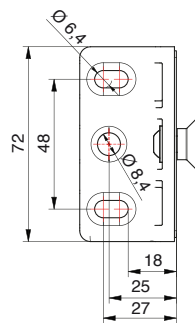
ST = side panel TF = door panel W = wall



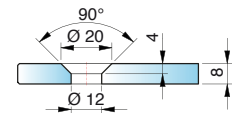
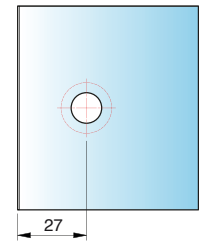


PAVONE – angle bracket

NEW



glass processing for 8 mm without sealing profile



Black EDITION

article no.	finish	glass thickness	article description	features	pu/pieces
8398ZN5	gloss chrome	8/10 mm	PAVONE – angle bracket	glass mount flush, bracket inside with oblong adjustment,	1/2
8398ZN1	matt chrome		glass-wall 90°	cover plate, point fixtures adjustable ± 2mm in any direction	
8398ZNPVD22	stainless steel optic				
8398ZNPVD35	black matt				
8398ZNPVD36	black gloss				

MADE IN GERMANY

PAVONE



Attention: please take into account when planning!

The hinges lifts the door 6mm when opened. This could lead to a collision with the stabilizer bar. Here we offer you various options:

new stabilizer angle bracket



8449MS7 – see on page 294

extended glass connections for railing system 844_:



extended glass connectors for stabilizer bar 8444



8444MS7-GTL – see on page 280



8444MS7-GL – see on page 280



glass wall stabilizer bar 45°



8446MS7-460 – see page 277



8496MS7-460 – see page 283



adjustable double sided 90°

8432MS7/MS10/MSPVD22
different lengths, see on page 288



adjustable double sided 90°

8474MS7/MS10/MSPVD22
different lengths, see on page 290

set for flush applications



8471MS7 – see on page 293
for 8474MS and 8475MS



8471MS7 – see on page 209



FLAMEA+



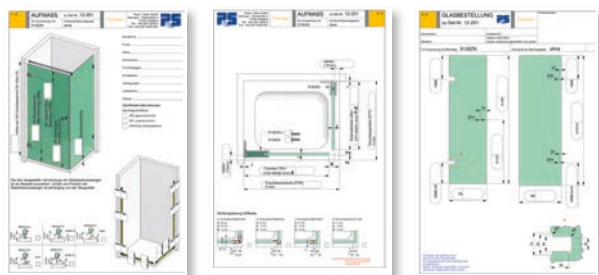
corresponding angle brackets

for FLAMEA+ can be found on page 84.



our service for you!

On www.pauli.de, you can find many different measurement sheets for all standard installations.



■ MADE
■ IN
■ GERMANY



- shower swing door hinge FLAMEA+



FLAMEA+ – uncompromising and strong

The FLAMEA+ series was developed for showers of the top class. the optimum installation situation: glass showers in XL-format. FLAMEA+ meets all aesthetic and functional requirements for projects and private homes.

- 90° shower swing door hinge
- self-closing during the last 15 - 20°
- centered pivot-point, therefore usage as swing door possible
- fully adjustable closed position,
- loading capacity (2 hinges): 45 kg corresponding to a glass door with the dimension 900 x 2000 mm and a glass thickness of 10 mm
- optimized for installation without sealing profile
- concealed screws
- minimized gap distance
- the durability of the hardware has been tested internally according to DIN EN 14428:2015 5.5.



NEW

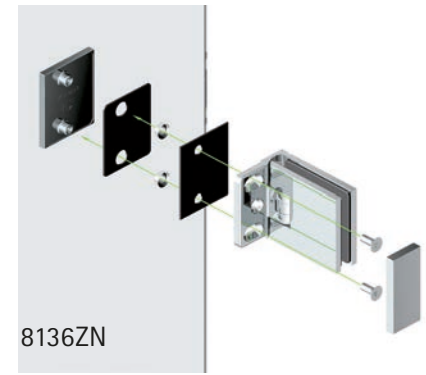


8130ZN



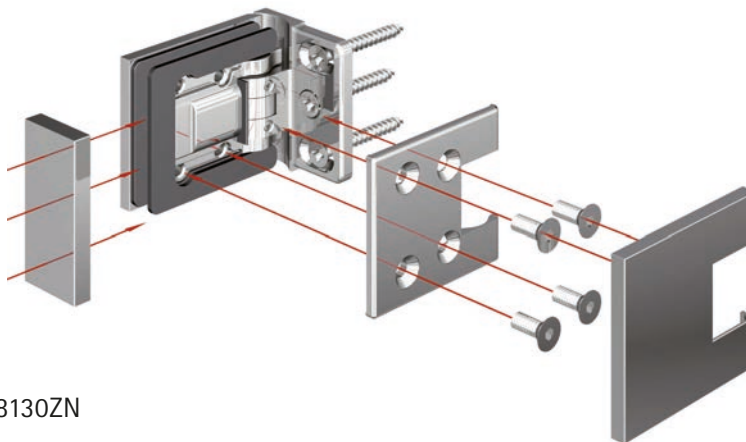
8132ZN

- new finish: gloss nickel

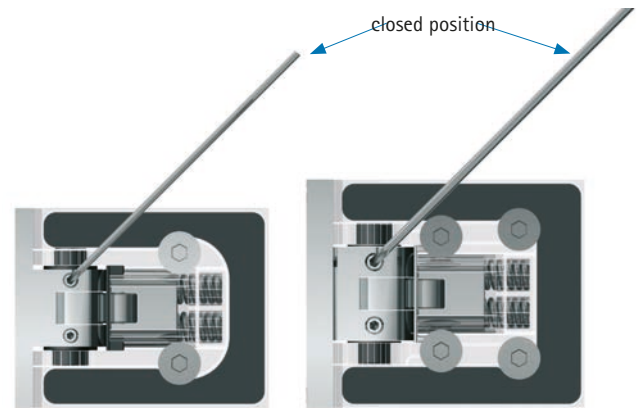


8136ZN

- for glass-glass 90°, only drilled holes are required in the side panel, so that the glass door panel is set inwards and the overhang (A) can be determined by the installer.
- the higher loading capacity allows generous and fascinating glass-situations



8130ZN



8180ZN

8130ZN

- 10% larger than FLAMEA but with a 25% higher loading capacity
- four fastening screws for a powerful connection
- stable and strong plate for wall-connection
- concealed screws

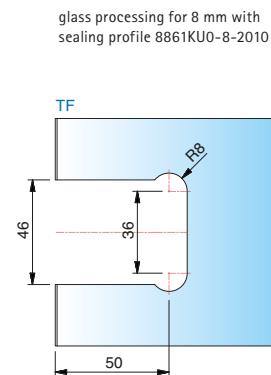
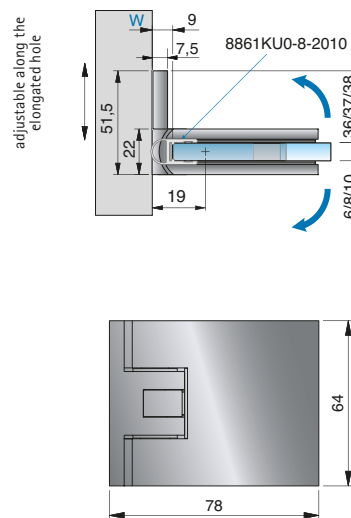
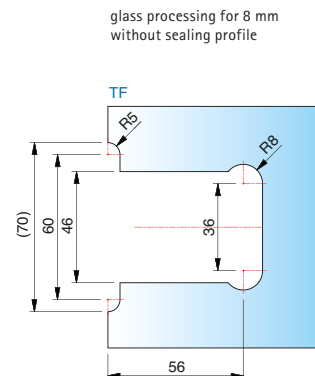
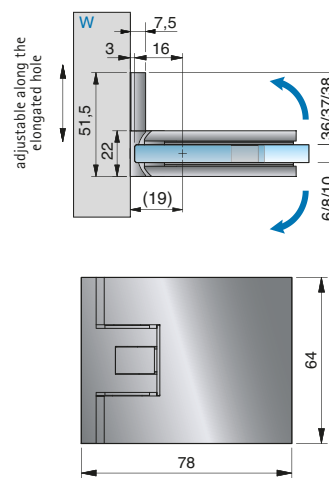
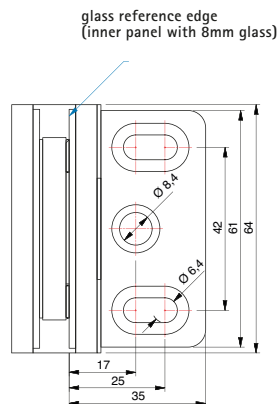


Please note that the instruction manual can be found on page 332.

shower swing door hinge - FLAMEA+



FLAMEA+



Black **Gold**
EDITION EDITION

article no.	finish	glass thickness	article description	features	pu/pieces
8130ZN5	gloss chrome	6/8/10 mm	shower swing door hinge FLAMEA+	opens in- and outwards 90°, with adjustable closed position, adjustable along the oblong hole, single sided mounting plate, concealed screws	1/2
8130ZN1	matt chrome		glass-wall, 90°		
8130ZN10	gloss nickel				
8130ZNPVD22	stainless steel optic				
8130ZNPVD20	gold optic				
8130ZNPVD35	black matt				
8130ZNPVD36	black gloss				

shim plates in thicknesses 2/3/5/10 mm can be found on page 329.

MADE IN GERMANY

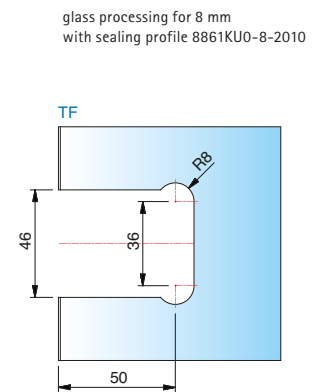
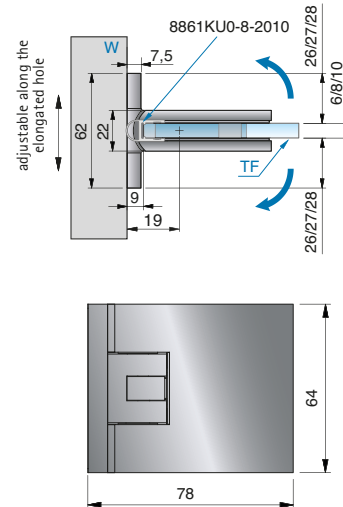
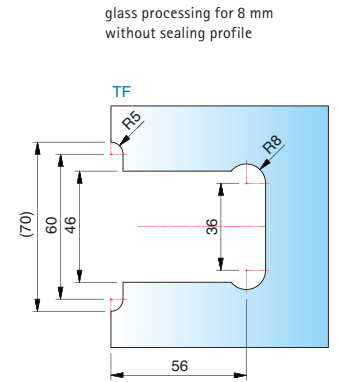
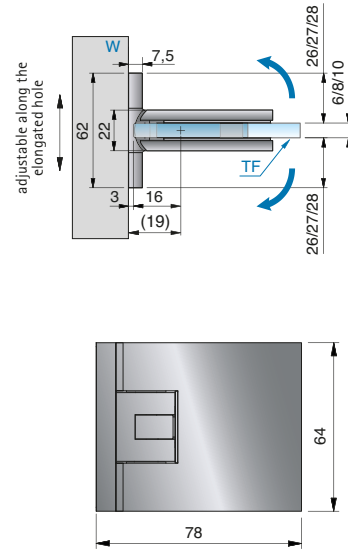
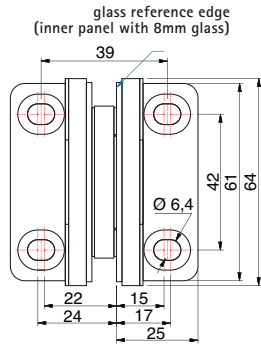
When using the hinges for 6 or 10 mm glass thickness, please use the insert set Art. No. HZ-SET3 per hinge free of charge.





shower swing door hinge - FLAMEA+

FLAMEA+



Black EDITION **Gold** EDITION

article no.	finish	glass thickness	article description	features	pu/pieces
8134ZN5	gloss chrome	6/8/10 mm	shower swing door hinge FLAMEA+	opens in- and outwards 90°, with adjustable closed position, adjustable along the oblong hole,, double sided mounting plate, concealed screws shim plates in thicknesses 2/3/5/10 mm can be found on page 329.	1/2
8134ZN1	matt chrome		glass-wall, 90°		
8134ZN10	gloss nickel				
8134ZNPVD22	stainless steel optic				
8134ZNPVD20	gold optic				
8134ZNPVD35	black matt				
8134ZNPVD36	black gloss				

When using the hinges for 6 or 10 mm glass thickness, please use the insert set Art. No. HZ-SET3 per hinge free of charge.

ST = side panel TF = door panel W = wall

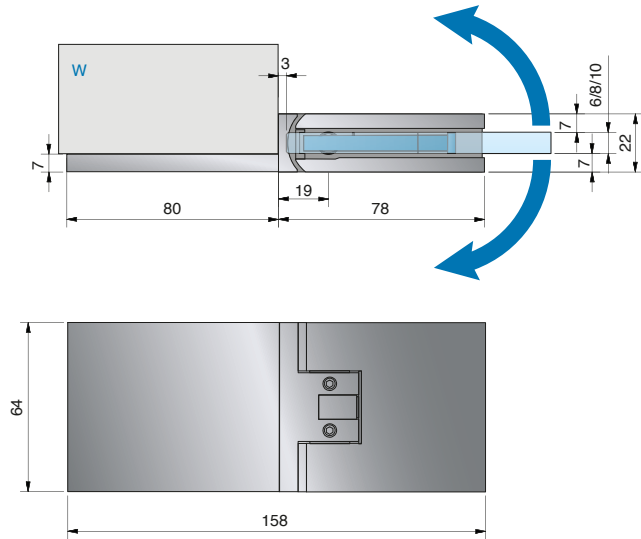
MADE IN GERMANY

shower swing door hinge - FLAMEA+

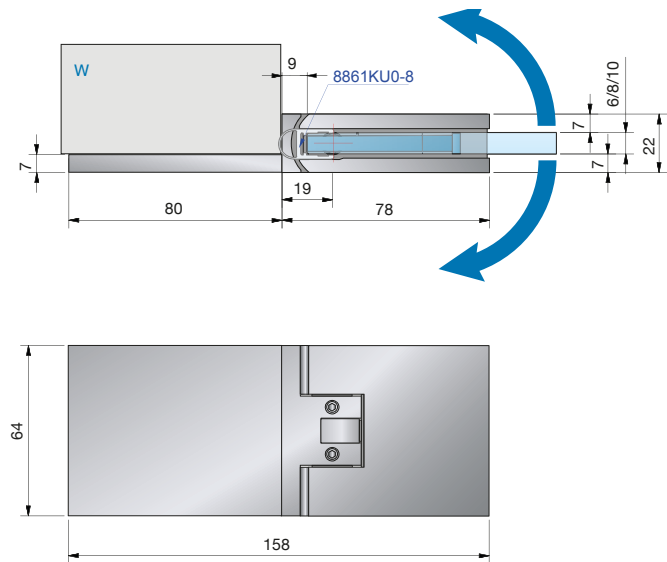


FLAMEA+

NEW



glass processing for 8 mm
without sealing profile

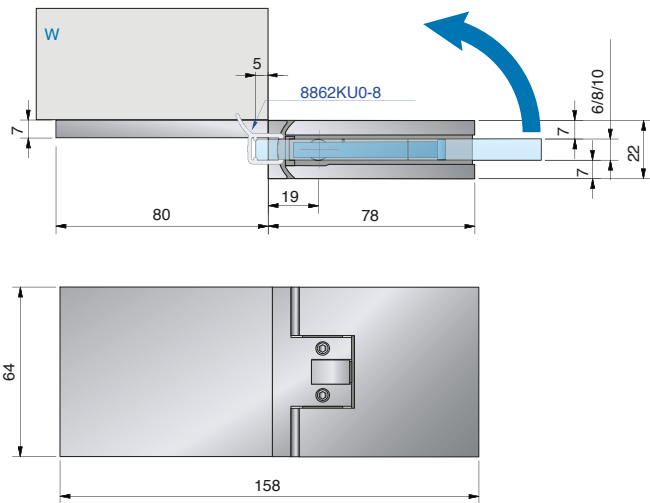


glass processing for 8 mm
with sealing profile 8857KU0-8-2010

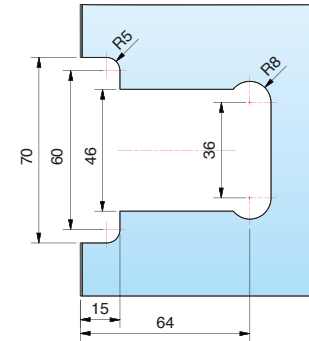




shower swing door hinge - FLAMEA+



glass processing for 8 mm
with sealing profile 8861KU0-8-2010



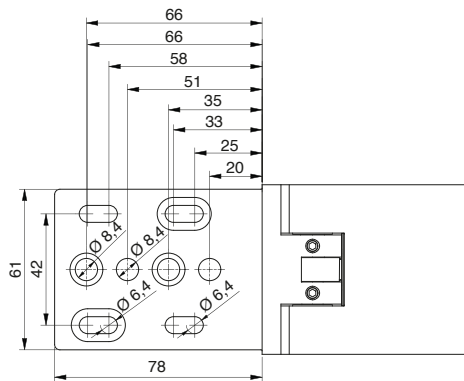
Black EDITION **Gold** EDITION

article no.	finish	glass thickness	article description	features	pu/pieces
8133ZN5	gloss chrome	6/8/10 mm	shower swing door hinge FLAMEA+	opens in- and outwards 90° depending on sealing profile, with adjustable closed position, adjustable along the oblong hole, concealed screws	1/2
8133ZN1	matt chrome		glass-wall, 180°		
8133ZN10	gloss nickel				
8133ZNPVD22	stainless steel optic				
8133ZNPVD20	gold optic				
8133ZNPVD35	black matt				
8133ZNPVD36	black gloss				

NEW

MADE IN GERMANY

mounting bracket for 8133ZN



When using the hinges for 6 or 10 mm glass thickness, please use the insert set Art. No. HZ-SET3 per hinge free of charge.

ST = side panel

TF = door panel

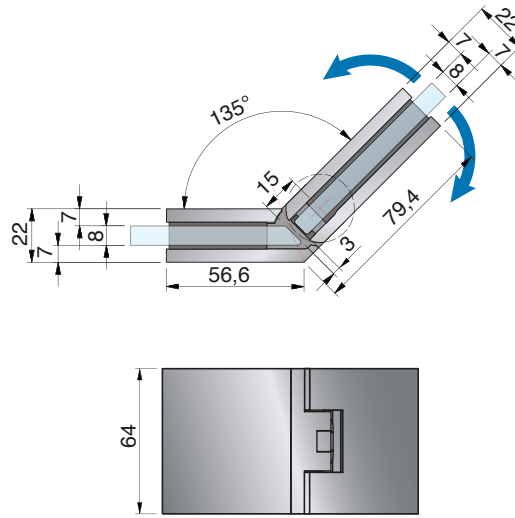
W = wall

shower swing door hinge - FLAMEA+

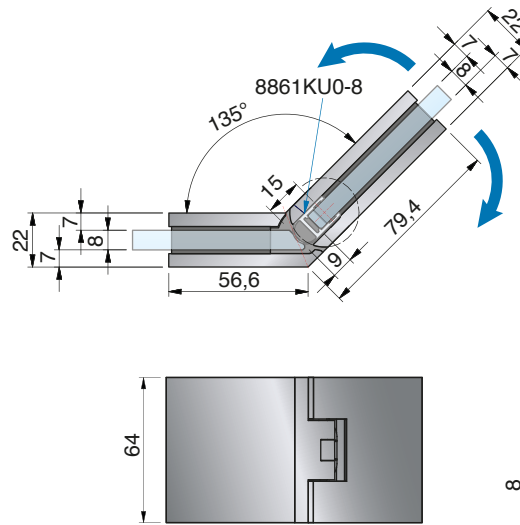
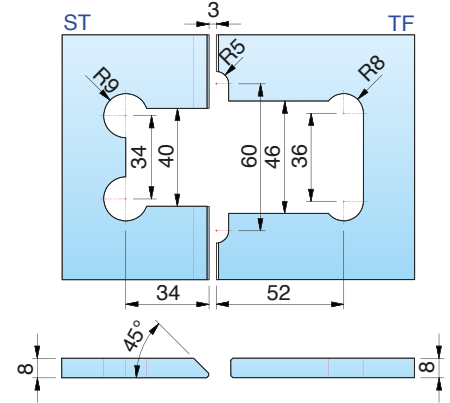


NEW

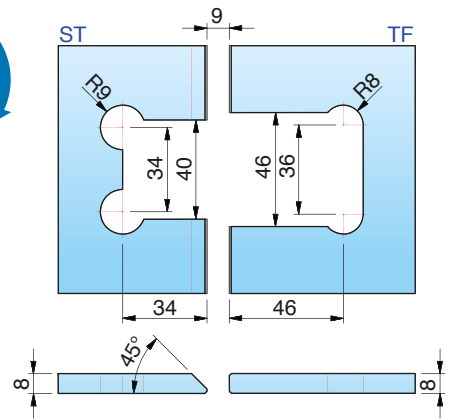
FLAMEA+



glass processing for 8 mm
without sealing profile

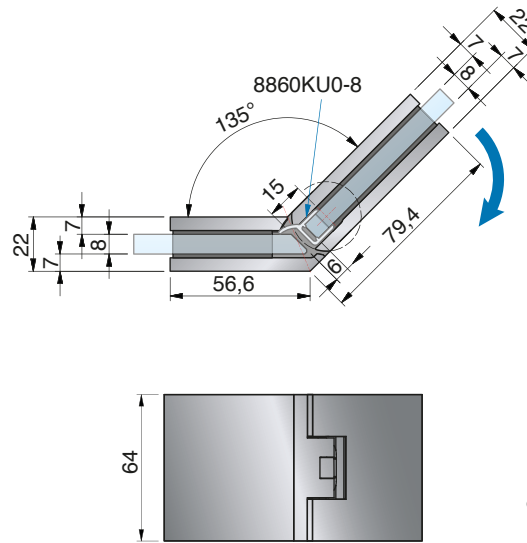


glass processing for 8 mm
with sealing profile 8861KU0-8-2010

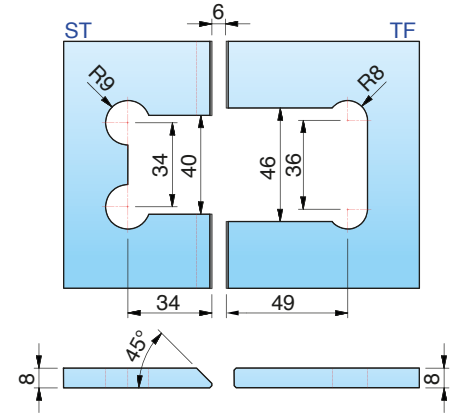




shower swing door hinge - FLAMEA+



glass processing for 8 mm
with sealing profile 8860KU0-8-2010



Black EDITION **Gold** EDITION

article no.	finish	glass thickness	article description	features	pu/pieces
8131ZN5	gloss chrome	6/8/10 mm	shower swing door hinge FLAMEA+	opens in- and outwards 90°, with adjustable closed position, concealed screws with cover plate	1/2
8131ZN1	matt chrome		glass-glass, 135°		
8131ZN10	gloss nickel				
8131ZNPVD22	stainless steel optic				
8131ZNPVD20	gold optic				
8131ZNPVD35	black matt				
8131ZNPVD36	black gloss				

NEW

MADE IN GERMANY

When using the hinges for 6 or 10 mm glass thickness, please use the insert set Art. No. HZ-SET4 per hinge free of charge.

ST = side panel

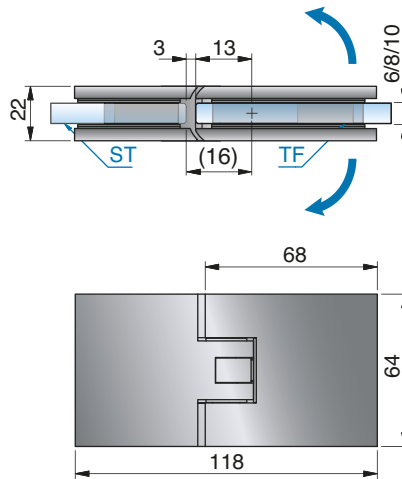
TF = door panel

W = wall

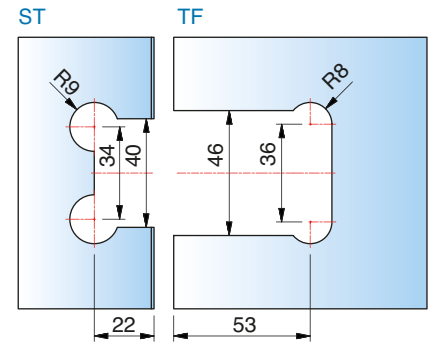
shower swing door hinge - FLAMEA+



FLAMEA+



glass processing for 8 mm
without sealing profile



When using the hinges for 6 or 10 mm glass thickness, please use the insert set Art. No. HZ-SET4 per hinge free of charge.

ST = side panel

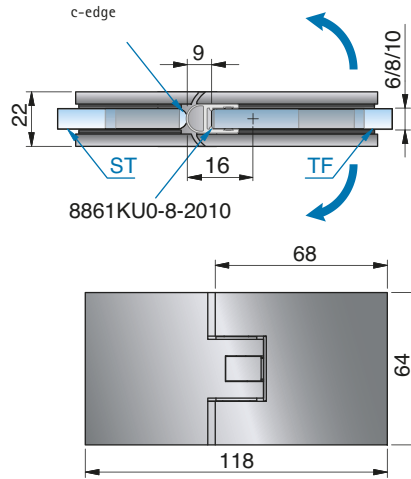
TF = door panel

W = wall

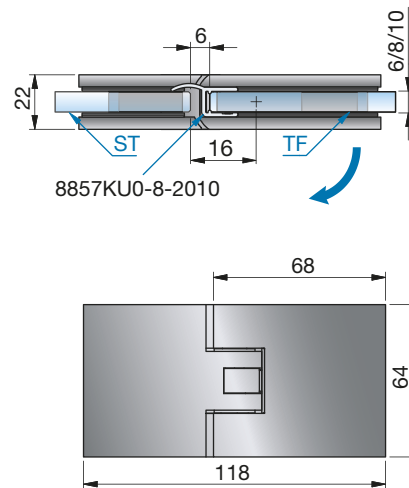
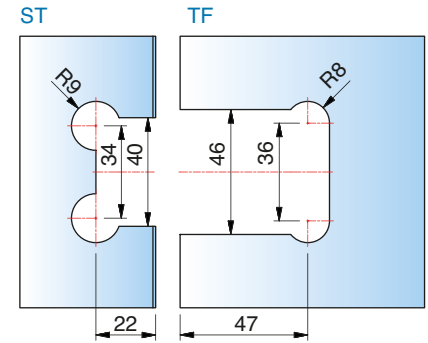


shower swing door hinge - FLAMEA+

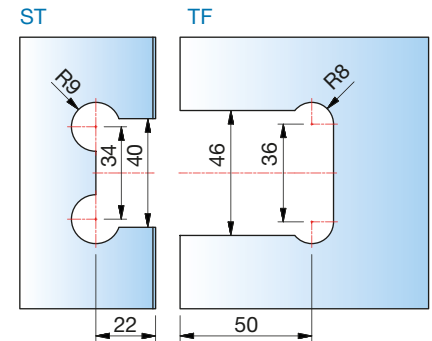
FLAMEA+



glass processing for 8 mm
with sealing profile 8861KU0-8-2010



glass processing for 8 mm
with sealing profile 8857KU0-8-2010



Black **Gold**
EDITION EDITION

article no.	finish	glass thickness	article description	features	pu/pieces
8132ZN5	gloss chrome	6/8/10 mm	shower swing door hinge FLAMEA+	opens in- and outwards 90°, depending on sealing profile, with adjustable closed position, concealed screws	1/2
8132ZN1	matt chrome		glass-glass, 180°		
8132ZN10	gloss nickel				
8132ZNPVD22	stainless steel optic				
8132ZNPVD20	gold optic				
8132ZNPVD35	black matt				
8132ZNPVD36	black gloss				

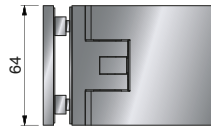
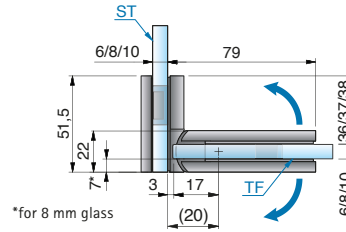
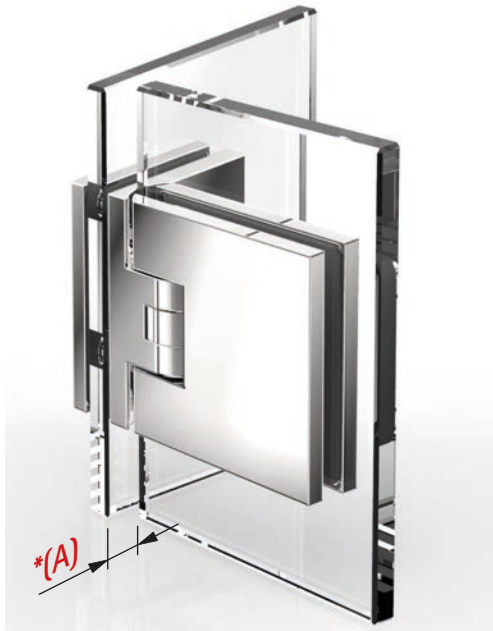
NEW

MADE IN GERMANY

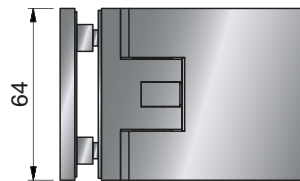
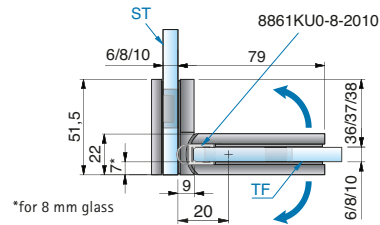
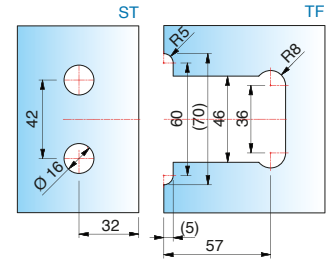
shower swing door hinge - FLAMEA+



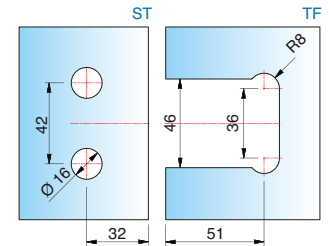
FLAMEA+



glass processing for 8 mm without sealing profile



glass processing for 8 mm with sealing profile 8861KU0-8-2010



Black **Gold**
EDITION EDITION

article no.	finish	glass thickness	article description	features	pu/pieces
8136ZN5	glass chrome	6/8/10 mm	shower swing door hinge FLAMEA+	opens in- and outwards 90°, with adjustable closed position, concealed screws with cover plate *offset dimension (A) on the side panel can be determined by the installer	1/2
8136ZN1	matt chrome		glass-glass, 90°		
8132ZN10	glass nickel				
8136ZNPVD22	stainless steel optic				
8136ZNPVD20	gold optic				
8136ZNPVD35	black matt				
8136ZNPVD36	black gloss				

MADE IN GERMANY

When using the hinges for 6 or 10mm glass thickness, please use the insert set Art. No. HZ-SET3 per hinge free of charge.

ST = side panel

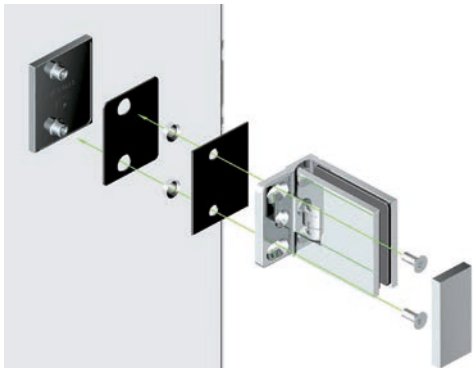
TF = door panel

W = wall





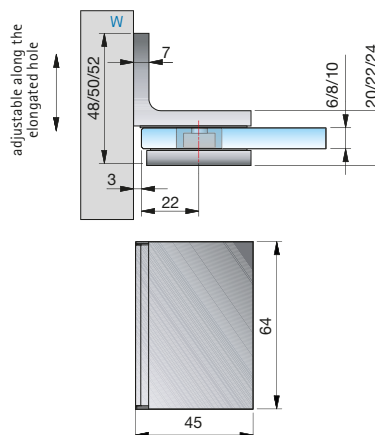
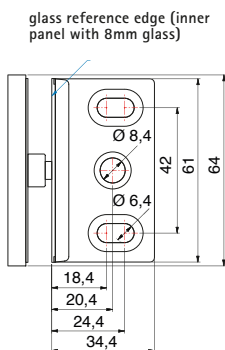
- for glass-glass 90°, only drilled holes are required in the side panel, so that the glass door panel is set inwards and the overhang (A) can be determined by the installer.



angle bracket - FLAMEA+

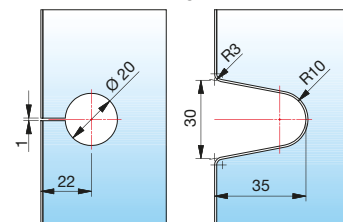


FLAMEA+



glass processing for 6/8/10 mm

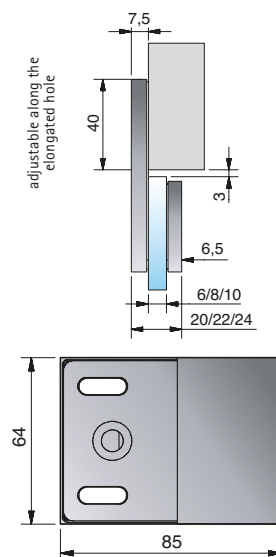
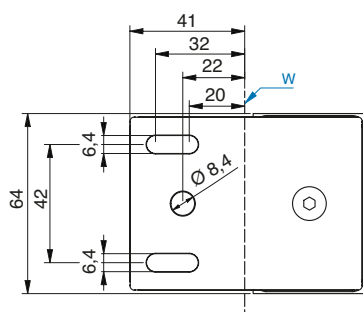
hole \varnothing 20 mm or edge recess R35



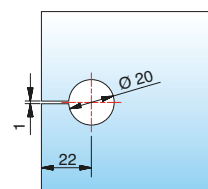
Black **Gold**
EDITION EDITION

article no.	finish	glass thickness	article description	features	pu/pieces
8194ZN5	gloss chrome	6/8/10 mm	angle bracket FLAMEA+, glass-wall 90°	adjustable along the oblong hole, concealed screws	1/2
8194ZN1	matt chrome				
8194ZN10	gloss nickel				
8194ZNPVD22	stainless steel optic				
8194ZNPVD20	gold optic				
8194ZNPVD35	black matt				
8194ZNPVD36	black gloss				

MADE
IN
GERMANY



glass processing for 8/10 mm



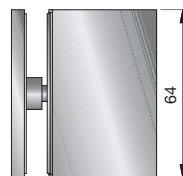
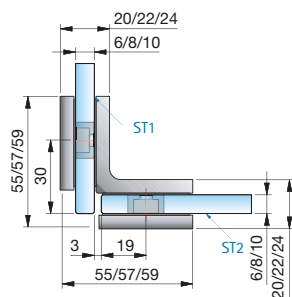
Black **Gold**
EDITION EDITION

article no.	finish	glass thickness	article description	features	pu/pieces
8193ZN5	gloss chrome	6/8/10 mm	angle bracket FLAMEA+, glass-wall 180°	adjustable along the oblong hole, concealed screws	1/2
8193ZN1	matt chrome				
8193ZN10	gloss nickel				
8193ZNPVD22	stainless steel optic				
8193ZNPVD20	gold optic				
8193ZNPVD35	black matt				
8193ZNPVD36	black gloss				

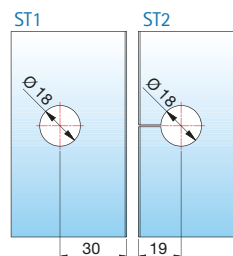
MADE
IN
GERMANY



angle bracket - FLAMEA+



glass processing for 8 mm

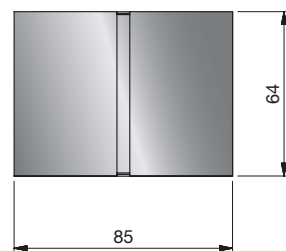
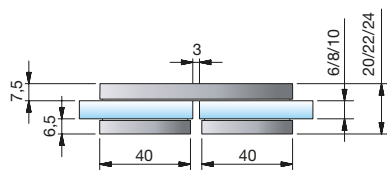


Black EDITION **Gold** EDITION

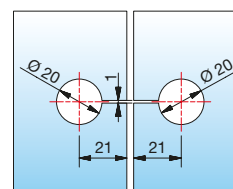
article no.	finish	glass thickness	article description	features	pu/pieces
8196ZN5	gloss chrome	6/8/10 mm	angle bracket FLAMEA+, glass-glass 90°	concealed screws	1/2
8196ZN1	matt chrome				
8196ZN10	gloss nickel				
8196ZNPVD22	stainless steel optic				
8196ZNPVD20	gold optic				
8196ZNPVD35	black matt				
8196ZNPVD36	black gloss				

NEW

MADE IN GERMANY



glass processing for 8/10 mm



Black EDITION **Gold** EDITION

article no.	finish	glass thickness	article description	features	pu/pieces
8191ZN5	gloss chrome	6/8/10 mm	angle bracket FLAMEA+, glass-glass 180°	concealed screws	1/2
8191ZN1	matt chrome				
8191ZN10	gloss nickel				
8191ZNPVD22	stainless steel optic				
8191ZNPVD20	gold optic				
8191ZNPVD35	black matt				
8191ZNPVD36	black gloss				

NEW

MADE IN GERMANY

ST = side panel

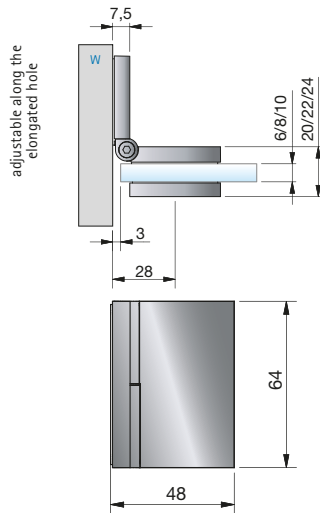
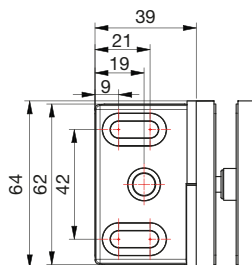
TF = door panel

W = wall

angle bracket - FLAMEA+

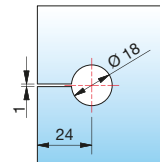


FLAMEA+



glass processing for 8 mm glass

with other angles the miter angle and/or hole distance is changing according to table.



Black EDITION **Gold** EDITION

article no.	finish	glass thickness	article description	features	pu/pieces
8199ZN5	gloss chrome	6/8/10 mm	angle bracket FLAMEA+	degree of angle is fully adjustable between 60° and 100°, concealed screws	1/2
8199ZN1	matt chrome		glass-wall 90°		
8199ZN10	gloss nickel				
8199ZNPVD22	stainless steel optic				
8199ZNPVD20	gold optic				
8199ZNPVD35	black matt				
8199ZNPVD36	black gloss				

NEW

MADE IN GERMANY

miter angle and hole dimensions for 8199ZN

corner	hole dimensions from glass edge	miter angle	remarks
60°	33 mm	30°	-
65°	31 mm	25°	-
70°	30 mm	20°	-
75°	28 mm	15°	-
80°	27 mm	10°	-
85°	26 mm	5°	-
90°	24 mm	without miter angle	hole slotted
95°	23 mm	5°	hole slotted
100°	22 mm	10°	hole slotted



ST = side panel

TF = door panel

W = wall





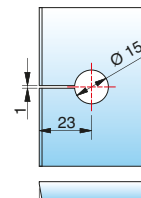
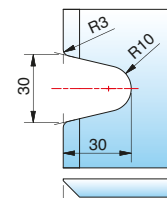
angle bracket - FLAMEA+

glass processing for 8 mm glass

with other angles the miter angle and/or hole distance is changing according to table.

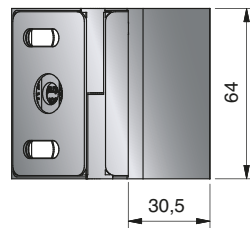
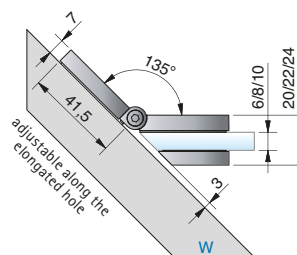
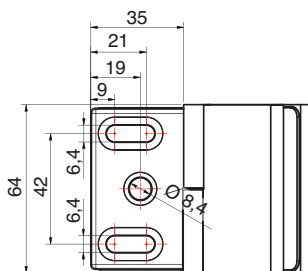
edge recess R35

hole dimension at 100°



from 135°

from 100° - 125°



Black EDITION **Gold** EDITION

article no.	finish	glass thickness	article description	features	pu/pieces
8189ZN5	gloss chrome	6/8/10 mm	angle bracket FLAMEA+	degree of angle is fully adjustable between 100° and 135°, concealed screws	1/2
8189ZN1	matte chrome		glass-wall		
8189ZN10	gloss nickel				
8189ZNPVD22	stainless steel optic				
8189ZNPVD20	gold optic				
8189ZNPVD35	black matt				
8189ZNPVD36	black gloss				

NEW

MADE IN GERMANY

miter angle and hole dimensions for 8198ZN

corner	hole dimensions from glass edge	miter angle	remarks
100°	23 mm	10°	hole slotted
105°	23 mm	15°	hole slotted
110°	22 mm	20°	hole slotted
115°	22 mm	25°	hole slotted
120°	21 mm	30°	hole slotted
125°	21 mm	35°	hole slotted
130°	-	40°	edge recess R30
135°	-	45°	edge recess R30

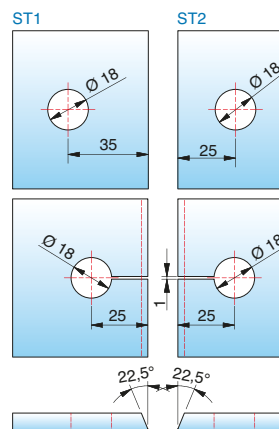
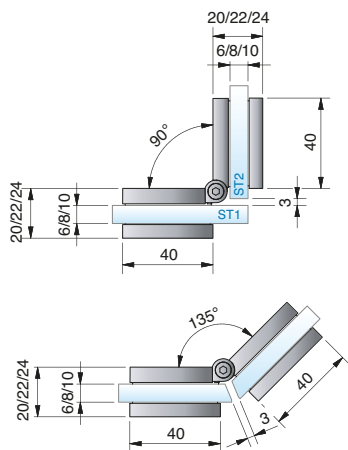


ST = side panel

TF = door panel

W = wall

angle bracket - FLAMEA+



glass processing for 8 mm glass

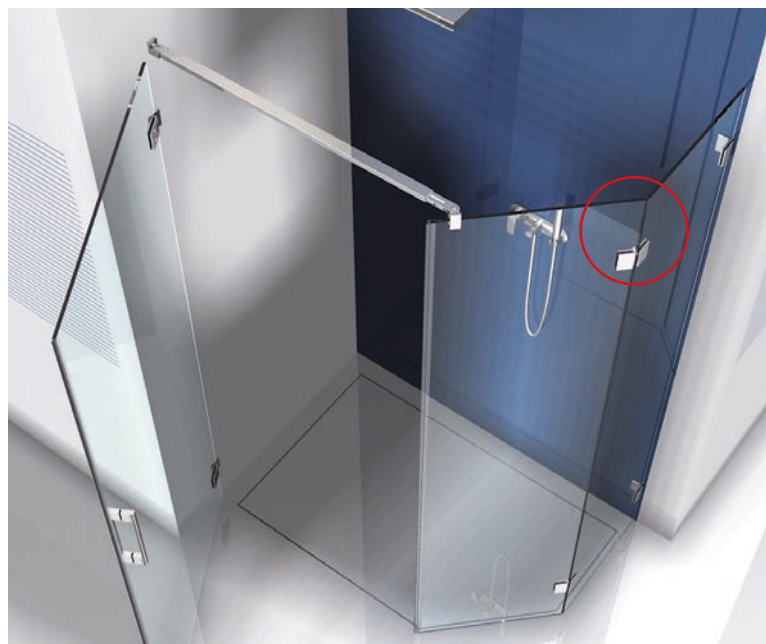
with other angles the miter angle and/or hole distance is changing according to table.

Black **Gold**
EDITION EDITION

article no.	finish	glass thickness	article description	features	pu/pieces
8198ZN5	gloss chrome	6/8/10 mm	angle bracket FLAMEA+	degree of angle is fully adjustable between 80° and 180°, concealed screws	1/2
8198ZN1	matt chrome		glass-glass		
8198ZN10	gloss nickel				
8198ZNPVD22	stainless steel optic				
8198ZNPVD20	gold optic				
8198ZNPVD35	black matt				
8198ZNPVD36	black gloss				

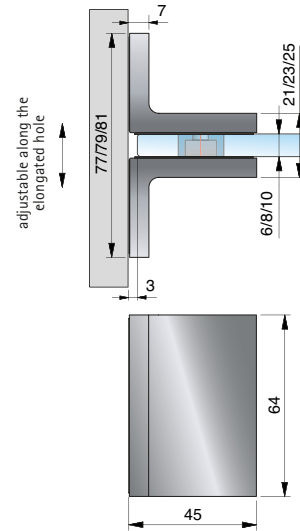
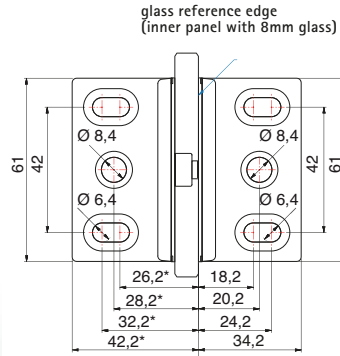
miter angle and hole dimensions for 8198ZN

corner	hole dimensions from glass edge	miter angle	remarks
80°	36 mm	50°	-
85°	35 mm	47,5°	-
90°	33 mm	45°	-
95°	32 mm	42,5°	-
100°	31 mm	40°	hole slotted
105°	30 mm	37,5°	hole slotted
110°	29 mm	35°	hole slotted
115°	28 mm	32,5°	hole slotted
120°	28 mm	30°	hole slotted
125°	27 mm	27,5°	hole slotted
130°	26 mm	25°	hole slotted
135°	25 mm	22,5°	hole slotted
140°	25 mm	20°	hole slotted
145°	24 mm	17,5°	hole slotted
150°	23 mm	15°	hole slotted
155°	23 mm	12,5°	hole slotted
160	22 mm	10°	hole slotted
165°	22 mm	7,5°	hole slotted
170°	21 mm	5°	hole slotted
175°	20 mm	0°	hole slotted
180°	20 mm	0°	hole slotted

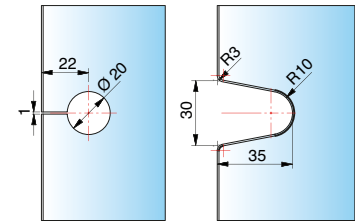




angle bracket - FLAMEA+

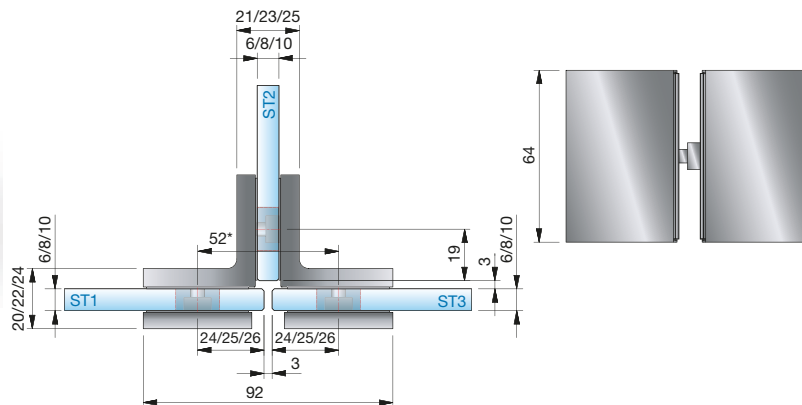


glass processing for 8 mm glass
hole $\varnothing 20$ mm or edge recess R35

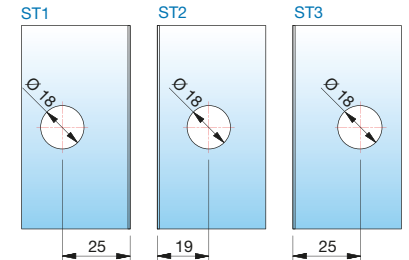


Black EDITION **Gold** EDITION

article no.	finish	glass thickness	article description	features	pu/pieces
8195ZN5	gloss chrome	6/8/10 mm	angle bracket FLAMEA+	double-sided fastening brackets	1/2
8195ZN1	matt chrome		wall-glass-wall 90°	concealed screws	
8195ZN10	gloss nickel		double sided		
8195ZNPVD22	stainless steel optic				
8195ZNPVD20	gold optic				
8195ZNPVD35	black matt				
8195ZNPVD36	black gloss				



glass processing for 8 mm glass



Black EDITION **Gold** EDITION

article no.	finish	glass thickness	article description	features	pu/pieces
8197ZN5	gloss chrome	6/8/10 mm	angle bracket FLAMEA+	concealed screws	1/2
8197ZN1	matt chrome		glass-glass 90°		
8197ZN10	gloss nickel		double sided		
8197ZNPVD22	stainless steel optic				
8197ZNPVD20	gold optic				
8197ZNPVD35	black matt				
8197ZNPVD36	black gloss				

MADE IN GERMANY

ST = side panel

TF = door panel

W = wall



FLAMEA+
SN



corresponding angle brackets

for FLAMEA+ Sauna can be found on page 97.



■ MADE
■ IN
■ GERMANY



■ sauna swing door hinge FLAMEA+



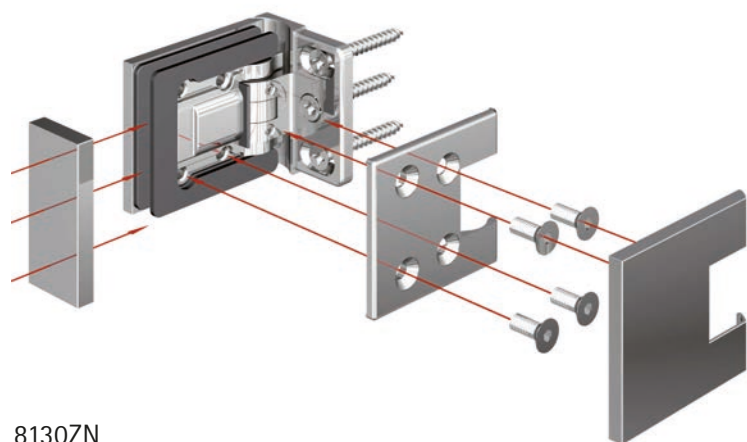
FLAMEA+ SAUNA – relentlessly and heat-resistant

With the sauna fitting FLAMEA+ -SN from Pauli + Sohn, individual wellness oases can be planned - from the small private sauna up to the spacious sauna landscape. In-house tests confirm the optimal functionality when the prescribed door dimensions and their weights as well as the maximum permissible ambient temperature of 100° C are met.

- 90° swing door hinge
- minimized gap distances for the installation in a sauna
- self-closing during the last 15 - 20°
- centered pivot-point, therefore usage as swing door possible
- fully adjustable closed position
- concealed screws



sauna swing door hinge - FLAMEA+ SN



8130ZN

- concealed screws



- care instructions

The sauna hinges are to be cleaned only using warm water and a soft nonabrasive cloth for cleaning and drying. Sharp, aggressive, abrasive, alkaline or chlorine containing cleaners may not be used. While cleaning, the door must be held with one hand to prevent over opening.

For heavier stains (lime, grease, soap) we recommend our special cleaning agent "Gentle Care" for hardware - see page 331.

The door must be held firmly with one hand during cleaning to prevent over opening.

- max. temperature in height of the upper hinge (on the surface) 80°C (corresponds a general sauna heat adjustment temperature of 100°C)
- sauna pendulum hinges and glass are to be protected against damage. therefore, when planning sauna situations, take into account that the door panels are not over pressed during opening (maximum 90 °).

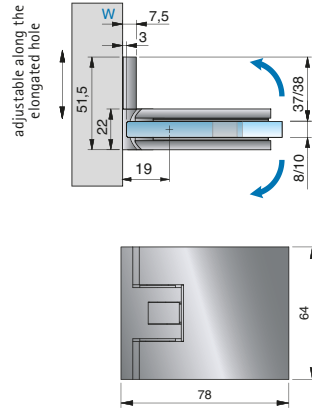
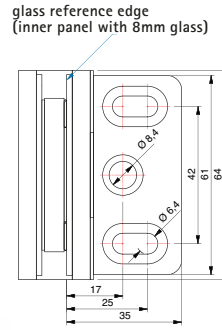


Please note that the instruction manual can be found on page 332.

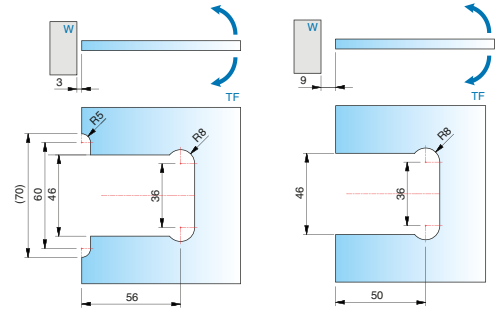
sauna swing door hinge - FLAMEA+ SN



FLAMEA+
SN



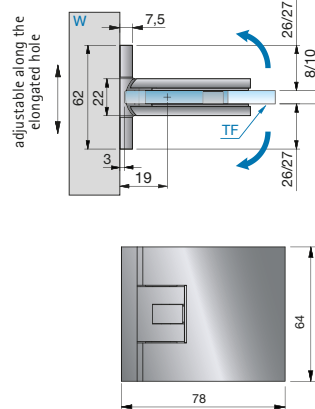
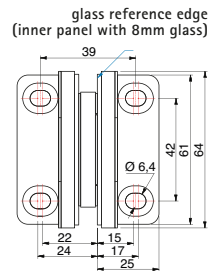
glass processing for different gap dimensions



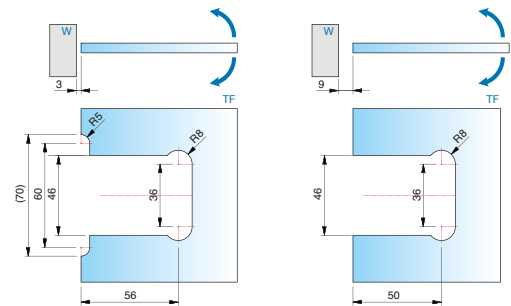
Black EDITION **Gold** EDITION

article no.	finish	glass thickness	article description	features	pu/pieces
8130ZN5-SN	gloss chrome	8/10 mm	sauna swing door hinge FLAMEA+, glass-wall, 90°, max. door width 800 mm	opens in- and outwards 90°, with adjustable closed position, adjustable along the oblong hole, one sided mounting plate, concealed screws	1/2
8130ZN1-SN	matt chrome				
8130ZN10-SN	gloss nickel				
8130ZNPVD22-SN	stainless steel optic				
8130ZNPVD20-SN	gold optic				
8130ZNPVD35-SN	black matt				
8130ZNPVD36-SN	black gloss				

MADE IN GERMANY



glass processing for different gap dimensions



Black EDITION **Gold** EDITION

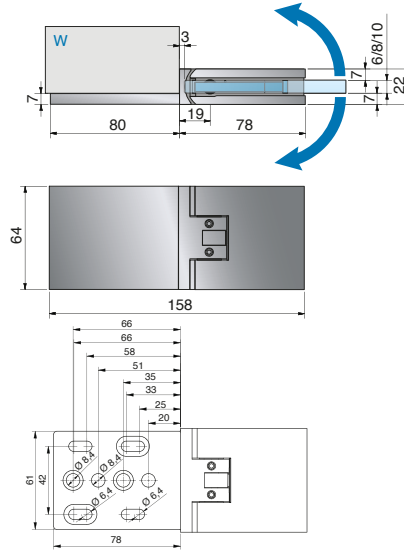
article no.	finish	glass thickness	article description	features	pu/pieces
8134ZN5-SN	gloss chrome	8/10 mm	sauna swing door hinge FLAMEA+, glass-wall, 90°, max. door width 900 mm	opens in- and outwards 90°, with adjustable closed position, adjustable along the oblong hole, double sided mounting plate, concealed screws	1/2
8134ZN1-SN	matt chrome				
8134ZN10-SN	gloss nickel				
8134ZNPVD22-SN	stainless steel optic				
8134ZNPVD20-SN	gold optic				
8134ZNPVD35-SN	black matt				
8134ZNPVD36-SN	black gloss				

MADE IN GERMANY

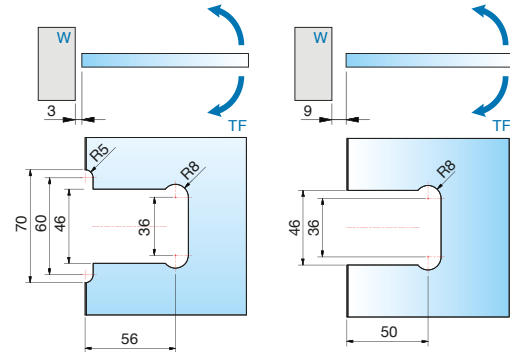
When using the hinges for 10 mm glass thickness, please use the insert set Art. No. HX-SET3 per hinge free of charge.



sauna swing door hinge - FLAMEA+ SN



glass processing for different gap dimensions



Black EDITION **Gold EDITION**

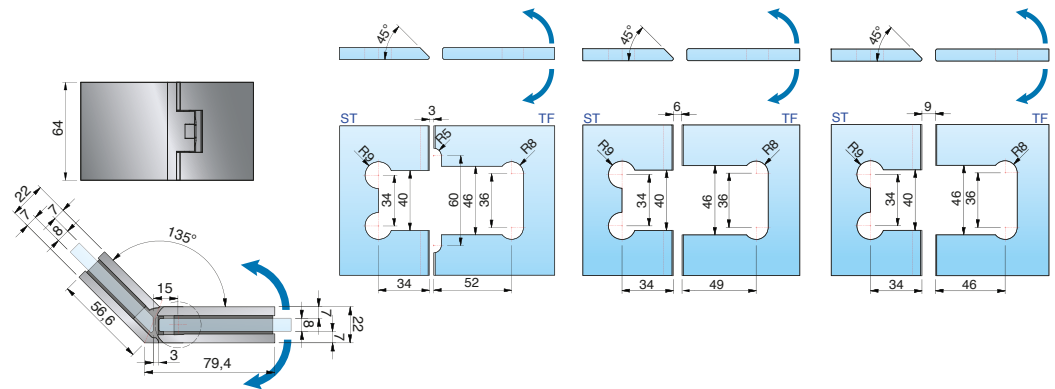
article no.	finish	glass thickness	article description	features	pu/pieces
8133ZN5-SN	gloss chrome	8/10 mm	sauna swing door hinge FLAMEA+, glass-wall 180°, max. door width 900 mm load capacity (2 hinges): 36 kg with max. 900 x 2000 x 8 mm	opens in- and outwards 90°, with adjustable closed position, adjustable along the oblong hole, concealed screws	1/2
8133ZN1-SN	matt chrome				
8133ZN10-SN	gloss nickel				
8133ZNPVD22-SN	stainless steel optic				
8133ZNPVD20-SN	gold optic				
8133ZNPVD35-SN	black matt				
8133ZNPVD36-SN	black gloss				

MADE IN GERMANY

When using the hinges for 10 mm glass thickness, please use the insert set Art. No. HX-SET3 per hinge free of charge.



glass processing for different gap dimensions



Black EDITION **Gold EDITION**

article no.	finish	glass thickness	article description	features	pu/pieces
8131ZN5-SN	gloss chrome	8/10 mm	sauna swing door hinge FLAMEA+, glass-glass 135°, max. door width 750 mm load capacity (2 hinges): 30 kg with max. 750 x 2000 x 8 mm	opens in- and outwards 90°, with adjustable closed position, adjustable along the oblong hole, concealed screws	1/2
8131ZN1-SN	matt chrome				
8131ZN10-SN	gloss nickel				
8131ZNPVD22-SN	stainless steel optic				
8131ZNPVD20-SN	gold optic				
8131ZNPVD35-SN	black matt				
8131ZNPVD36-SN	black gloss				

MADE IN GERMANY

When using the hinges for 10 mm glass thickness, please use the insert set Art. No. HX-SET4 per hinge free of charge.

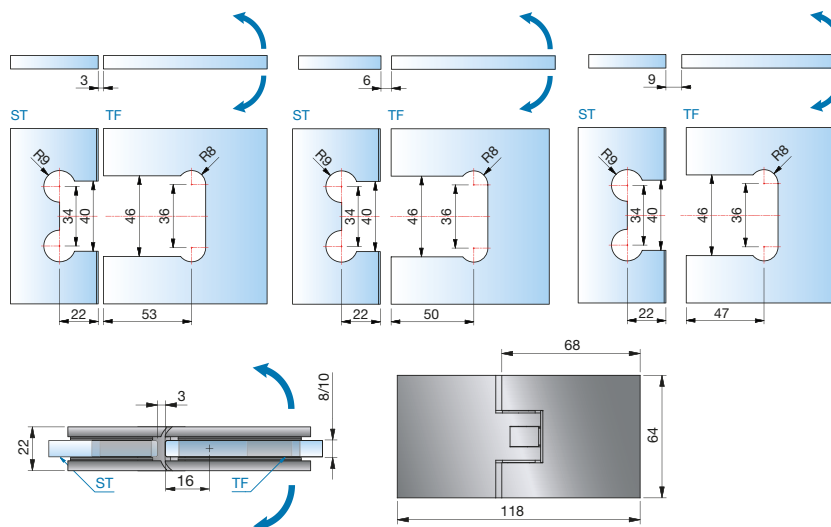
sauna swing door hinge - FLAMEA+ SN



FLAMEA+
SN



glass processing for different gap dimensions

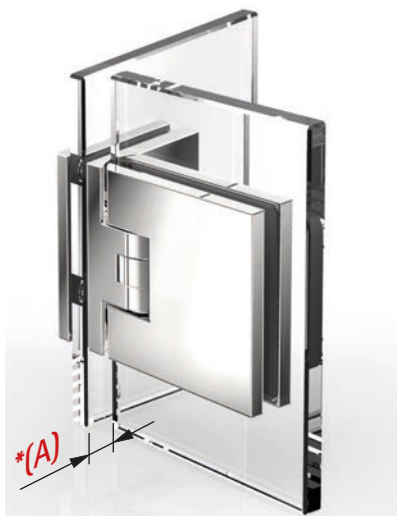


Black EDITION **Gold** EDITION

article no.	finish	glass thickness	article description	features	pu/pieces
8132ZN5-SN	gloss chrome	8/10 mm	sauna swing door hinge FLAMEA+, glass-glass 180°, max. door width 750 mm	opens in- and outwards 90°, with adjustable closed position, adjustable along the oblong hole, concealed screws the insert (8132-10KU-SN) which prevents the door leaf from sliding-down is included free of charge.	1/2
8132ZN1-SN	matt chrome				
8132ZN10-SN	gloss nickel				
8132ZNPVD22-SN	stainless steel optic				
8132ZNPVD20-SN	gold optic				
8132ZNPVD35-SN	black matt				
8132ZNPVD36-SN	black gloss				

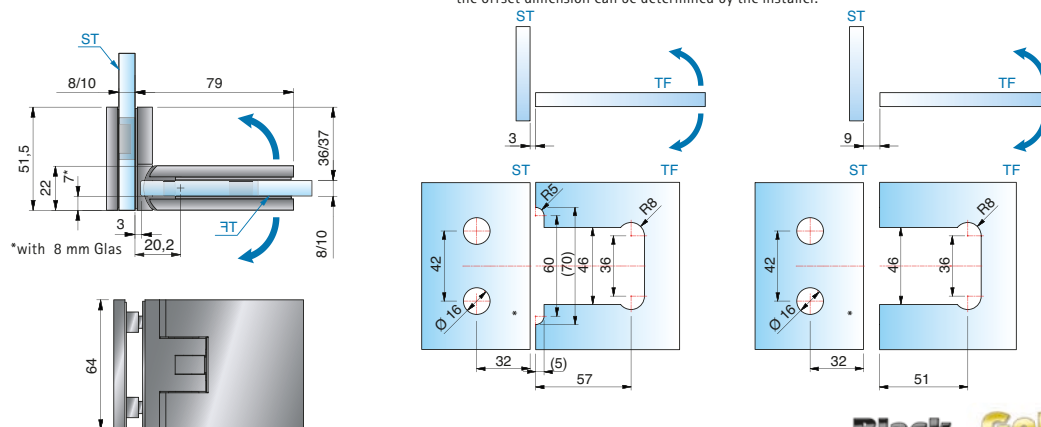
MADE IN GERMANY

When using the hinges for 10 mm glass thickness, please use the insert set Art. No. HX-SET4 per hinge free of charge.



glass processing for different gap dimensions

*the offset dimension can be determined by the installer.



Black EDITION **Gold** EDITION

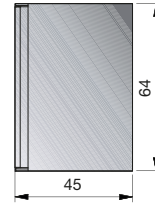
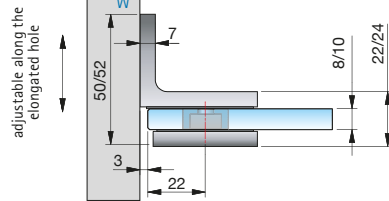
article no.	finish	glass thickness	article description	features	pu/pieces
8136ZN5-SN	gloss chrome	8/10 mm	sauna swing door hinge FLAMEA+, glass-glass 90°, max. door width 800 mm	opens in- and outwards 90°, with adjustable closed position, adjustable along the oblong hole, concealed screws	1/2
8136ZN1-SN	matt chrome				
8136ZN10-SN	gloss nickel				
8136ZNPVD22-SN	stainless steel optic				
8136ZNPVD20-SN	gold optic				
8136ZNPVD35-SN	black matt				
8136ZNPVD36-SN	black gloss				

MADE IN GERMANY

When using the hinges for 10 mm glass thickness, please use the insert set Art. No. HX-SET3 per hinge free of charge.

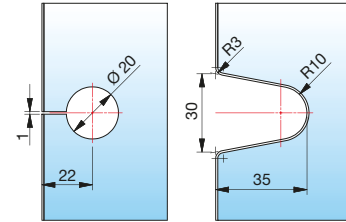


sauna swing door hinge - FLAMEA+ SN



glass processing for 8/10 mm

hole \varnothing 20 mm or edge recess R35

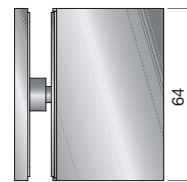
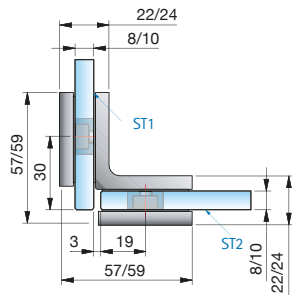


FLAMEA+
SN

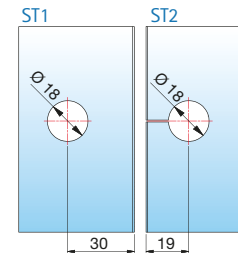
Black EDITION **Gold** EDITION

article no.	finish	glass thickness	article description	features	pu/pieces
8194ZN5-SN	gloss chrome	8/10 mm	angle bracket FLAMEA+, glass-wall 90°	adjustable along the oblong hole, concealed screws	1/2
8194ZN1-SN	matt chrome				
8194ZN10-SN	gloss nickel				
8194ZNPVD22-SN	stainless steel optic				
8194ZNPVD20-SN	gold optic				
8194ZNPVD35-SN	black matt				
8194ZNPVD36-SN	black gloss				

MADE
IN
GERMANY



glass processing for 8 mm



Black EDITION **Gold** EDITION

article no.	finish	glass thickness	article description	features	pu/pieces
8196ZN5-SN	gloss chrome	8/10 mm	angle bracket FLAMEA+, glass-glass 90°	concealed screws	1/2
8196ZN1-SN	matt chrome				
8196ZN10-SN	gloss nickel				
8196ZNPVD22-SN	stainless steel optic				
8196ZNPVD20-SN	gold optic				
8196ZNPVD35-SN	black matt				
8196ZNPVD36-SN	black gloss				

MADE
IN
GERMANY

TF = door panel

W = wall

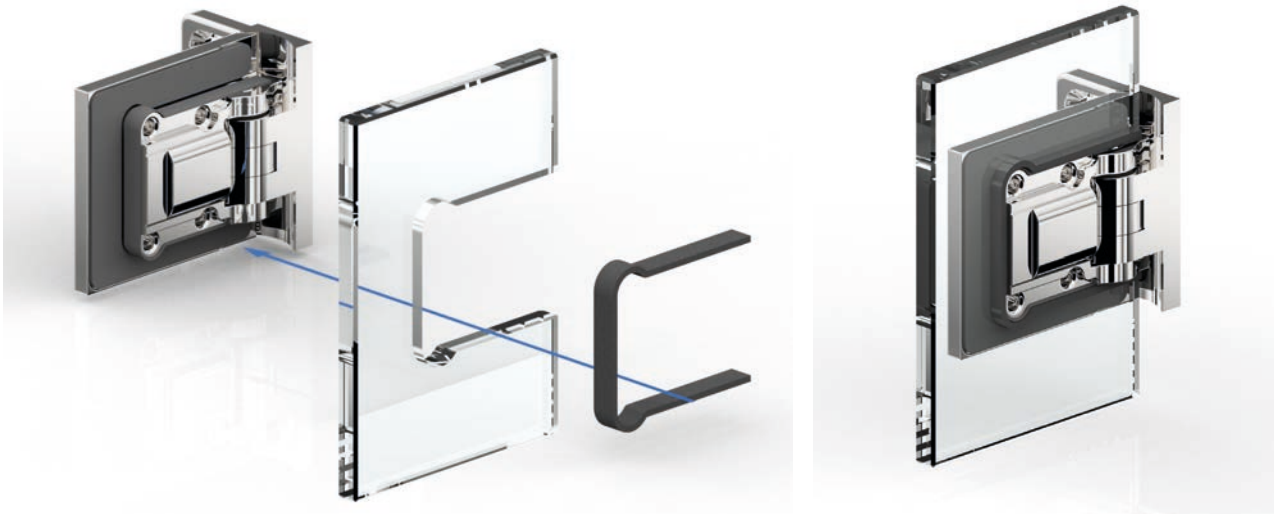


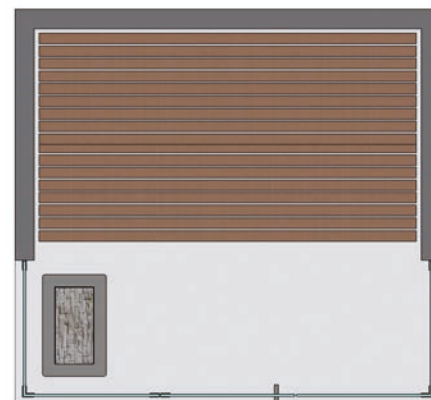
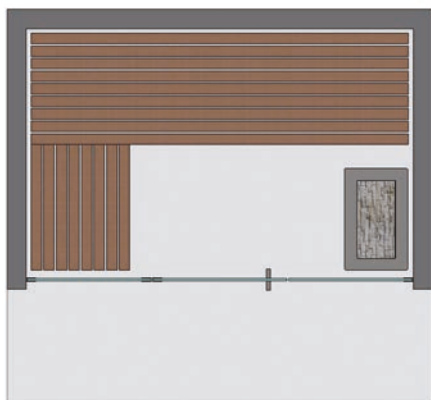
NEW

FLAMEA+
SN



article no.	article description	VE/Stück
8878FKM-1	insert for glass recess, 300x8x1 mm	1/1
8878FKM-2	insert for glass recess, 300x8x2 mm	





- many different installation situations are possible.
when planning the system, make sure that the door panels are not to be over-opened (max.90°)!
together, we can plan tailor-made solutions. - contact us!



8130ZN-SN

- max. door width 800 mm
- loading capacity (2 hinges): 32 kg
(corresponding to a glass door with the dimension 800 x 2000 mm and a glass thickness of 8 mm)



8134ZN-SN

- max. door width 900 mm
- loading capacity (2 hinges): 36 kg
(corresponding to a glass door with the dimension 900 x 2000 mm and a glass thickness of 8 mm)



8133ZN-SN

- max. door width 750 mm
- loading capacity (2 hinges): 30 kg
(corresponding to a glass door with the dimension 750 x 2000 mm and a glass thickness of 8 mm)



8136ZN-SN

- max. door width 800 mm
- loading capacity (2 hinges): 32 kg
(corresponding to a glass door with the dimension 800 x 2000 mm and a glass thickness of 8 mm)



8132ZN-SN

- max. door width 750 mm
- loading capacity (2 hinges): 30 kg
(corresponding to a glass door with the dimension 750 x 2000 mm and a glass thickness of 8 mm)



8131ZN-SN

- max. door width 750 mm
- loading capacity (2 hinges): 30 kg
(corresponding to a glass door with the dimension 750 x 2000 mm and a glass thickness of 8 mm)



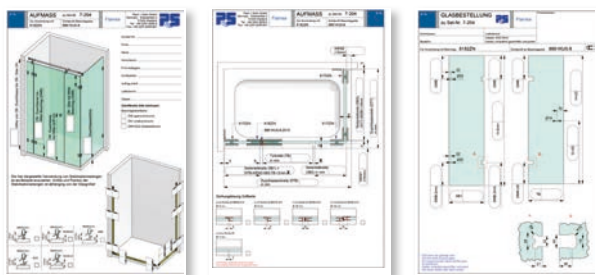
corresponding angle brackets

for FLAMEA can be found on page 168.



our service for you!

On www.pauli.de, you can find many different measurement sheets for all standard installations.



■ MADE
■ IN
■ GERMANY



FLAMEA

■ shower swing door hinge FLAMEA



FLAMEA – consequent: formal-aesthetic

Sometimes little things make a big difference. the rectangular shower swing door hinge FLAMEA is for its size of 71 x 56 mm for a glass-wall hinge and 111 x 56 mm for a glass-glass hinge extremely compact and thus a particular unobtrusive solution. The fully adjustable closed position and the ability to work without a sealing profile ensures the perfect adaption to different situations.

- 90° shower swing door hinge
- self-closing during the last 15 - 20°
- centered pivot-point, therefore usage as swing door possible
- fully adjustable closed position
- load capacity (2 hinges): 36 kg corresponding to a glass door with the dimension 900 x 2000 mm and a glass thickness of 8 mm
- optimized for application without using sealing profiles
- the durability of the hardware has been tested internally according to DIN EN 14428:2015 5.5.



The closed position can be fully adjusted as often as needed. Due to the fully adjustable closed-position, the hinges can be mounted much faster, even on walls that are not aligned to each other.



general remarks:

- depending on the loading transfer to the wall, please also take the small mounting plate into consideration.
- perpendicular mounting of the shower door hinge on solid surfaces

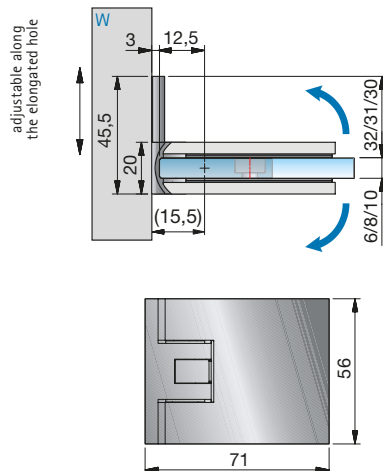


Please note that the instruction manual can be found on page 332.

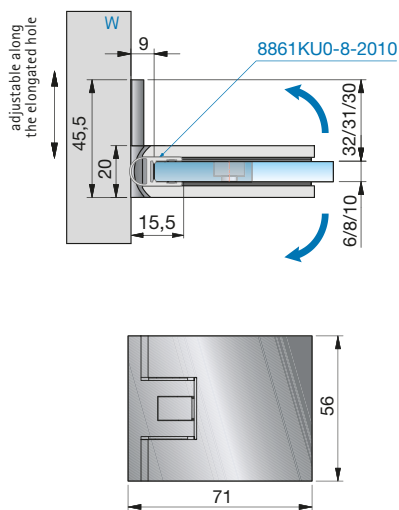
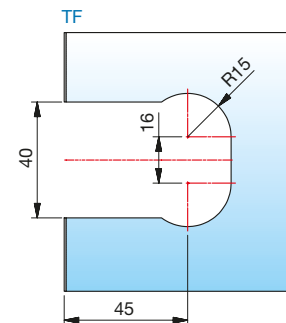
shower swing door hinge - FLAMEA



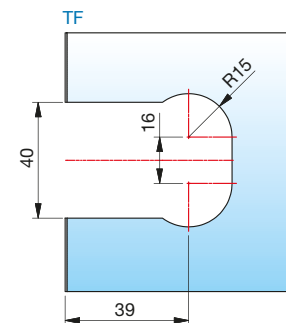
FLAMEA



glass processing for 8 mm without sealing profile



glass processing for 8 mm with sealing profile 8861KU0-8-2010



Black EDITION

article no.	finish	glass thickness	article description	features	pu/pieces
8180ZN5	gloss chrome	6/8/10 mm	shower swing door hinge FLAMEA glass-wall 90°	double sided opening 90°, with adjustable closed position, adjustable along the oblong hole, one sided mounting plate	1/2
8180ZN1	matt chrome				
8180ZNPVD22	stainless steel optic				
8180ZNPVD35	black matt				

NEW

compensation shims of 2/3/5/10 mm can be found on page 329.

MADE IN GERMANY

When using the hinges for 6 or 10 mm glass thickness, please use the insert set Art. No. HZ-SET1 per hinge free of charge.

TF = door panel

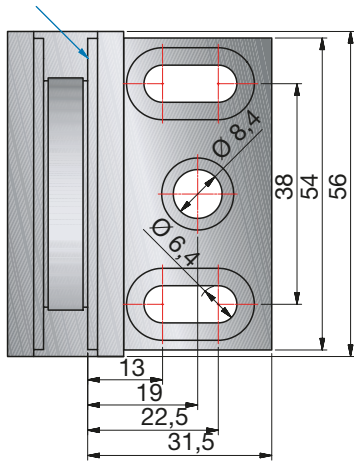
W = wall





shower swing door hinge - FLAMEA

glass reference edge
(inner panel with 8mm glass)



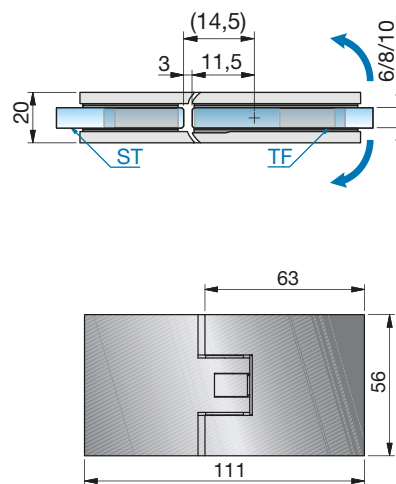
- by positioning the glass within the shower area, a natural splash guard is created.



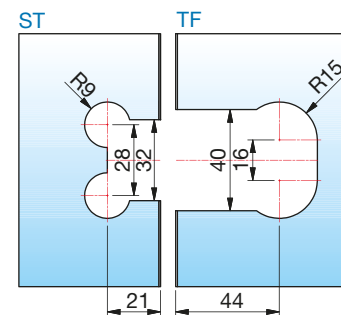
FLAMEA



FLAMEA



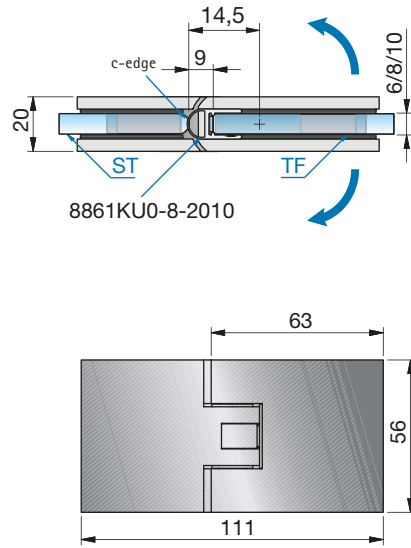
glass processing for 8 mm
without sealing profile



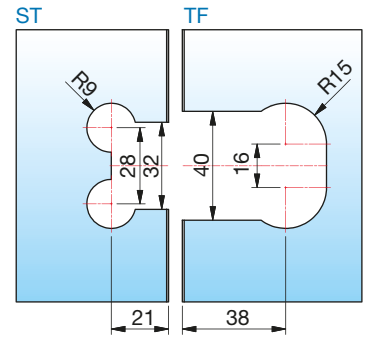
When using the hinges for 6 or 10 mm glass thickness, please use the insert set Art. No. HZ-SET2 per hinge free of charge.



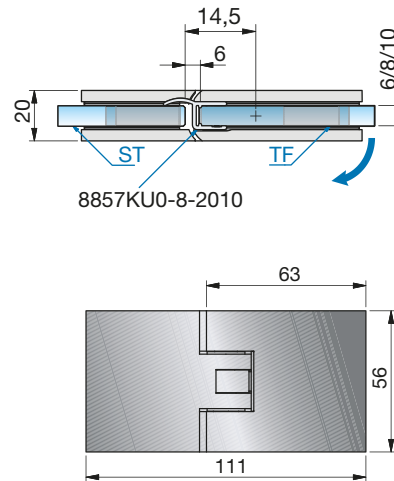
shower swing door hinge - FLAMEA



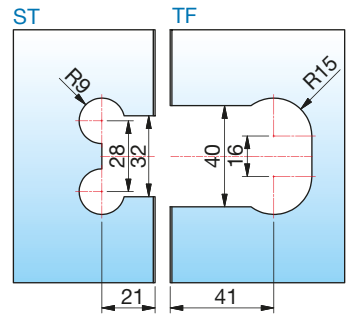
glass processing for 8 mm
with sealing profile 8857KU0-8-2010



FLAMEA



glass processing for 8 mm
with sealing profile 8861KU0-8-2010



Black
EDITION

article no.	finish	glass thickness	article description	features	pu/pieces
8182ZN5	gloss chrome	6/8/10 mm	shower swing door hinge FLAMEA	depending on the used seal profile, opens in- and outwards 90°, with adjustable closed position,	1/2
8182ZN1	matt chrome		glass-glass, 180°		
8182ZNPVD22	stainless steel optic				
8182ZNPVD35	black matt				



MADE
IN
GERMANY

TF = door panel

W = wall



corresponding angle brackets

for FARDELLO can be found on page 168.

■ MADE
■ IN
■ GERMANY



FARDELLO

■ shower swing door hinge FARDELLO



NEW



FARDELLO

■ MADE
■ IN
■ GERMANY

High load-bearing capacity for modern bathroom architecture

The new shower swing door hinge FARDELLO is characterized by high load capacity and compact dimensions. With a height of only 56 mm, two hinges can support a maximum of 42 kg. This is made possible by the intelligent construction of the hinge: counter plate and hinge body

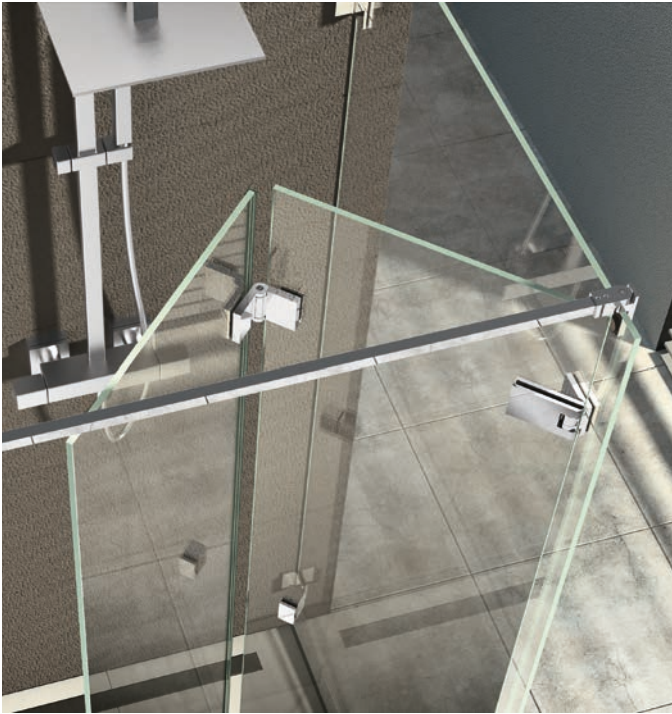
interlock and are securely fastened together. This ensures more safety. In combination with FLINTER, various folding door systems can also be implemented.



Please note that the instruction manual can be found on page 332.

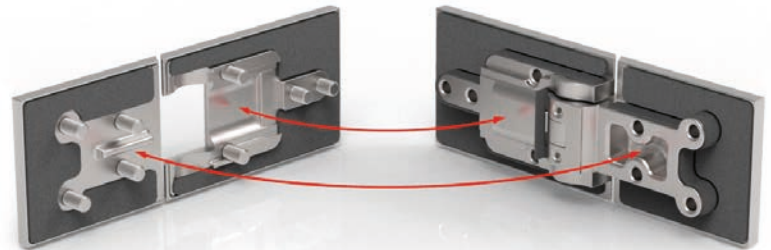
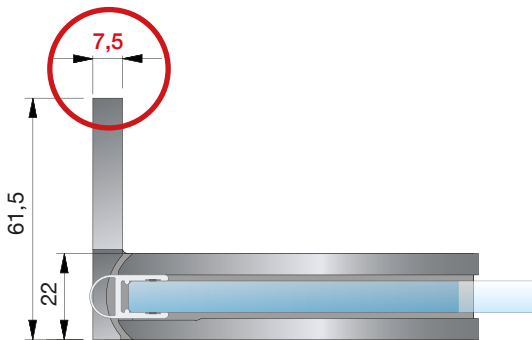


shower swing door hinge – FARDELLO



- load capacity (2 hinges): max. permissible weight: 42 kg
- max. door panel width: 1000 mm
- glass thickness: 6/8/10 mm
- swing door hinge: glass-wall / glass-glass
- suitable angle brackets
- optimized for installation without sealing profiles
- minimized gap dimensions
- closed position fully adjustable
- hinge height: 56 mm (like FLAMEA and FLINTER shower door hinge)
- fields of application:
wellness area, barrier-free bathrooms, public areas
- intelligent design:
fitting body and counter plate engage with interlocking fit and are firmly secured with 4 screws
- the durability of the hardware has been tested internally according to DIN EN 14428:2015 5.5.
- self-closing during the last 15 - 20°

FARDELLO



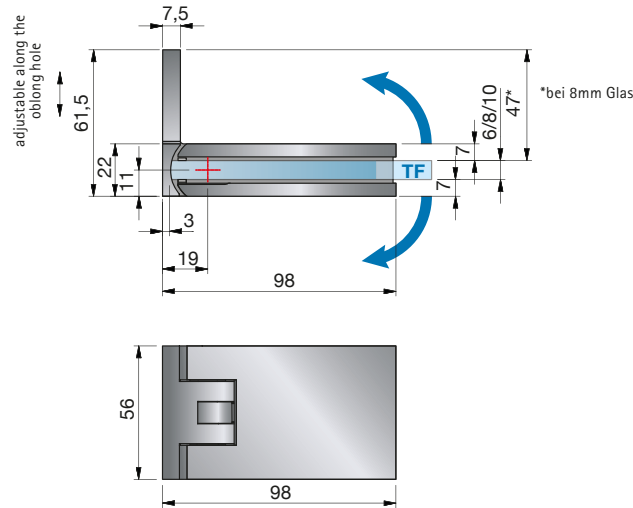
features

- the 7.5 mm thick wall mounting plate offers better load transfer
- the 3rd fixing hole prevents the fittings from warping on the wall
- the shower hinge is designed to allow this hole to be drilled with an 8 mm drill bit while already mounted

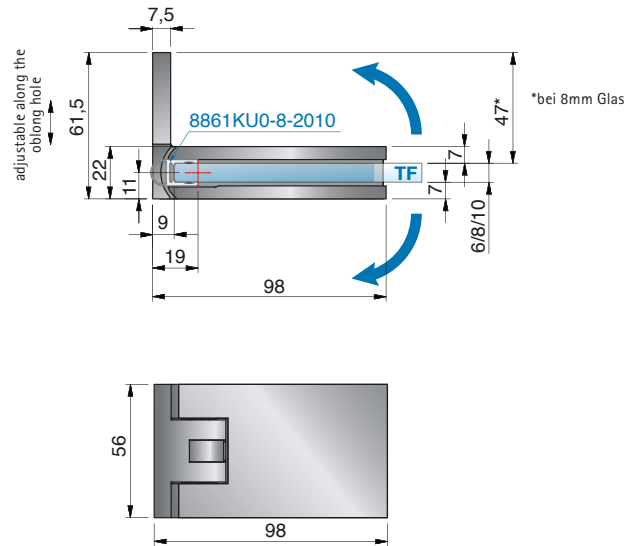
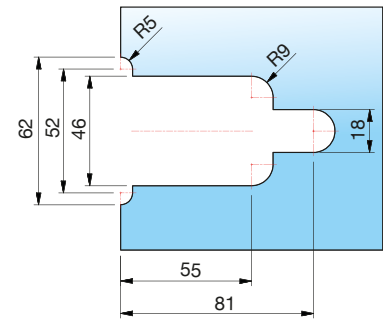
shower swing door hinge - FARDELLO



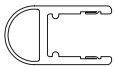
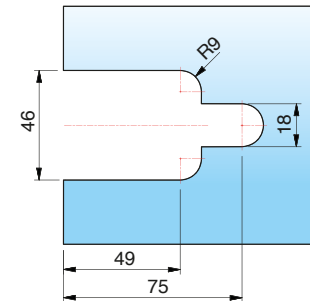
NEW



glass processing for 8 mm without sealing profile



glass processing for 8 mm with sealing profile 8861KU0-8-2010



Black EDITION

article no.	finish	glass thickness	article description	features	pu/pieces
8900ZN5	gloss chrome	6/8/10	FARDELLO – shower swing door hinge	90° swing door hinge, with or without sealing profile, concealed screws, wall mount inside with oblong hole adjustment, closed position fully adjustable, self-closing from approx. 15°-20°, seal profile cut in the hinge area.	1/2
8900ZN1	matt chrome		glass-wall 90°		
8900ZNPVD22	stainless steel optic				
8900ZNPVD35	black matt				
8900ZNPVD36	black gloss				

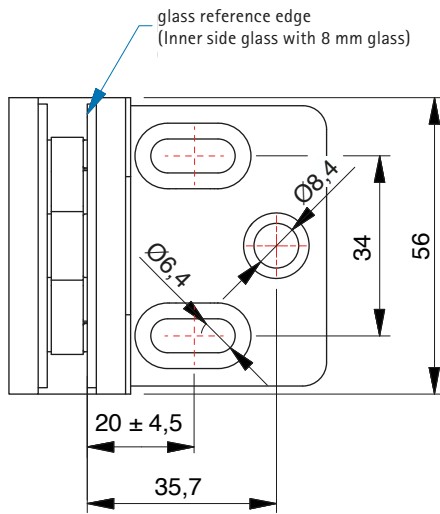
MADE IN GERMANY

When using the hinges for 6 or 10mm glass thickness, please use the insert set Art. No. HZ-SET5 per hinge free of charge.



shower swing door hinge - FARDELLO

dimensions wall bracket 8900ZN



FARDELLO



TF = door panel

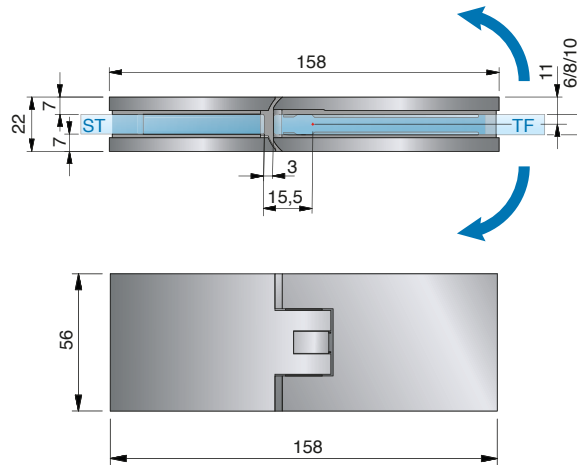
W = wall

shower swing door hinge - FARDELLO

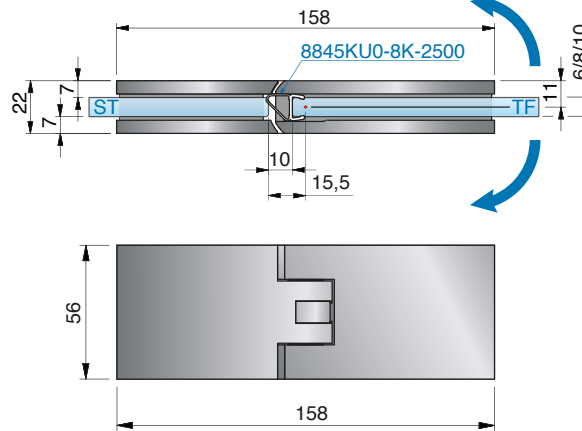
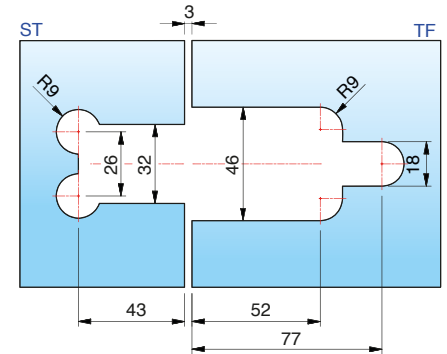


NEW

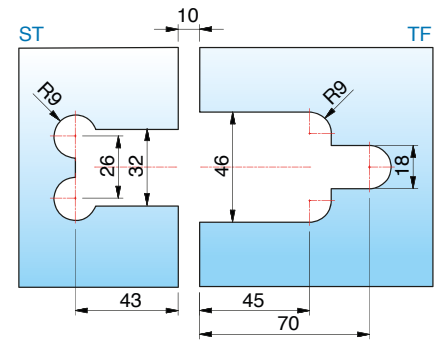
FARDELLO



glass processing for 8 mm
without sealing profile



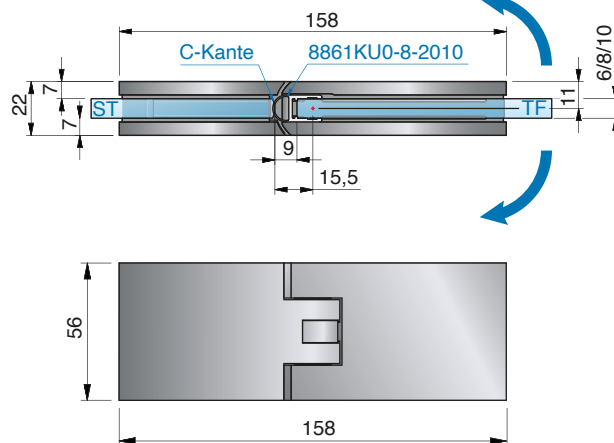
glass processing for 8 mm
without sealing profile



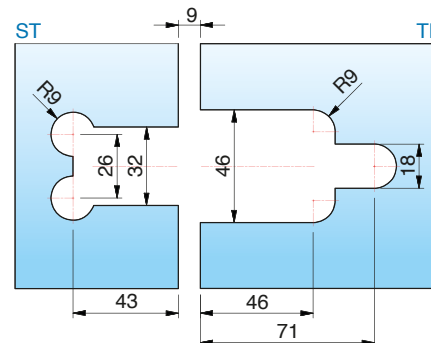
When using the hinges for 6 or 10 mm glass thickness, please use the insert set Art. No. HZ-SET6 per hinge free of charge.



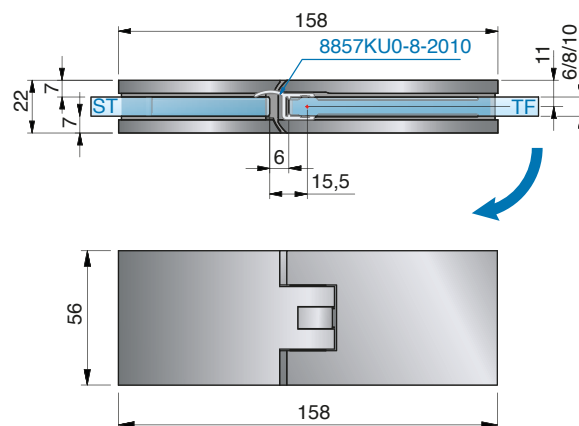
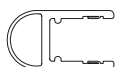
shower swing door hinge - FARDELLO



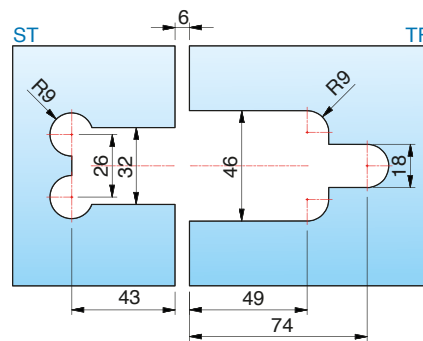
glass processing for 8 mm
with sealing profile 8861KU0-8-2010



FARDELLO



glass processing for 8 mm
with sealing profile 8861KU0-8-2010



Black
EDITION

article no.	finish	glass thickness	article description	features	pu/pieces
8901ZN5	gloss chrome	6/8/10	FARDELLO – shower swing door hinge	90° swing door hinge, with or without sealing profile, concealed screws, wall mount inside with oblong hole adjustment, closed position fully adjustable, self-closing from approx. 15°-20°, seal profile cut in the hinge area.	1/2
8901ZN1	matt chrome		glass-glass 180°		
8901ZNPVD22	stainless steel optic				
8901ZNPVD35	black matt				
8901ZNPVD36	black gloss				

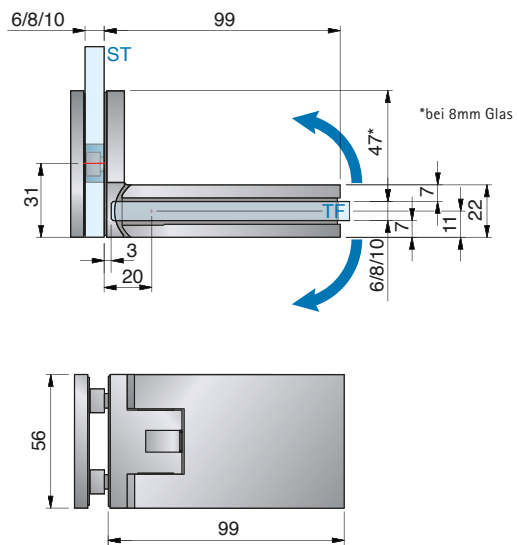
MADE
IN
GERMANY

TF = door panel

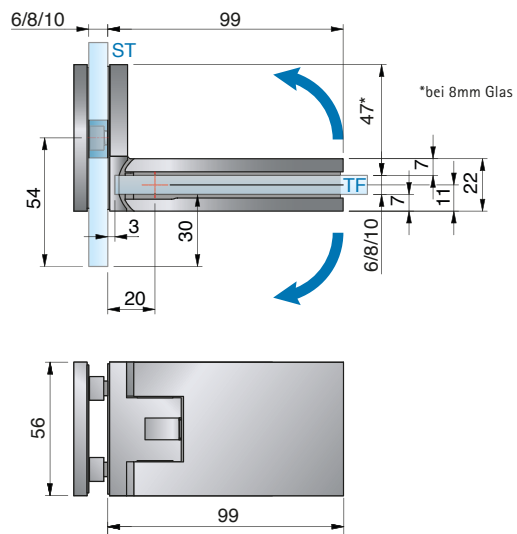
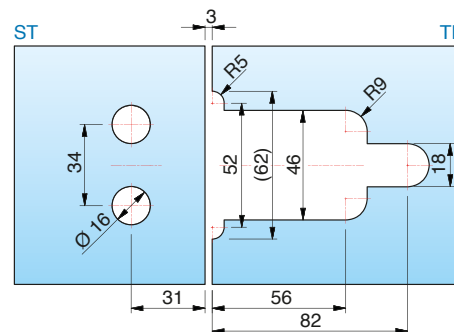
W = wall



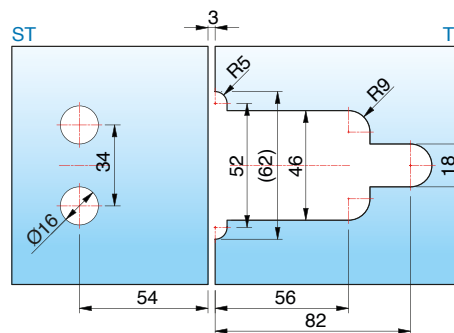
shower swing door hinge - FARDELLO



glass processing for 8 mm without sealing profile, 7 mm set inwards



glass processing for 8 mm without sealing profile, 30 mm set inwards

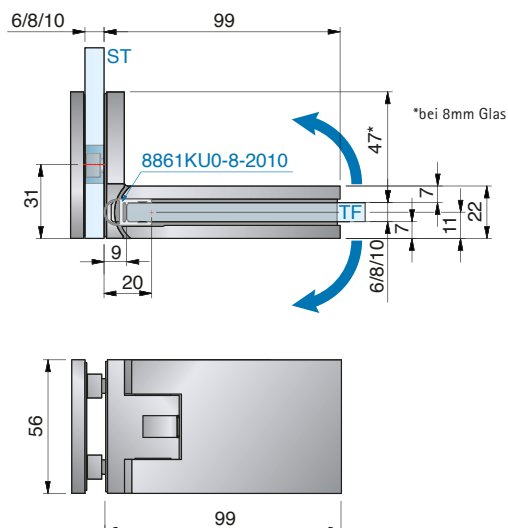
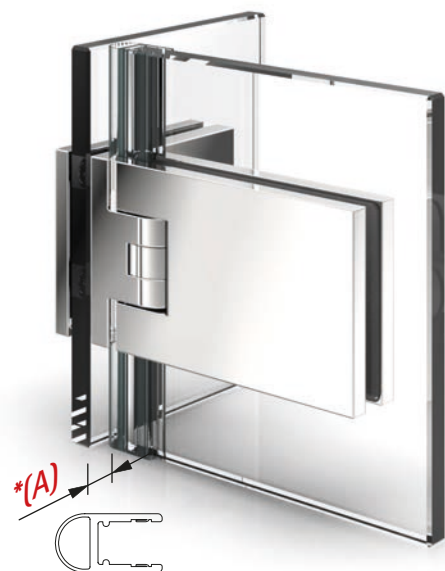


Black
EDITION

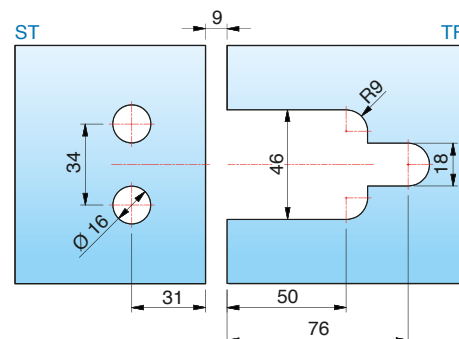
When using the hinges for 6 or 10 mm glass thickness, please use the insert set Art. No. HZ-SET5 per hinge free of charge.



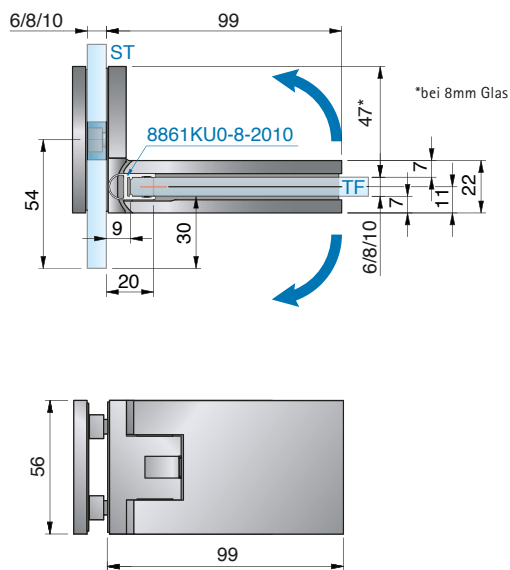
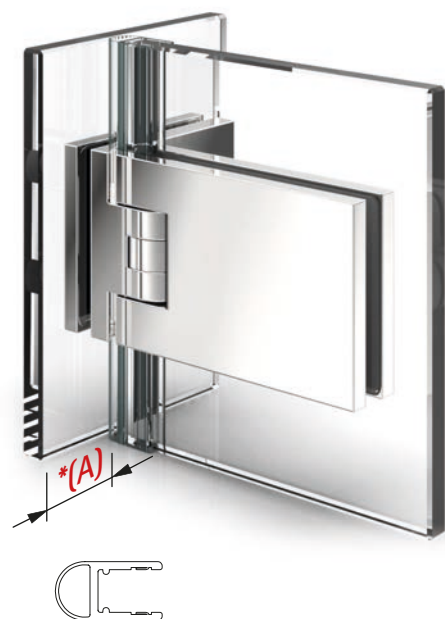
shower swing door hinge - FARDELLO



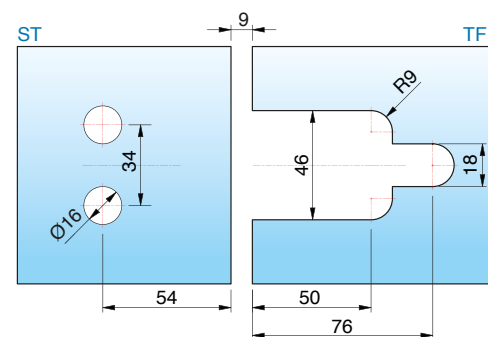
glass processing for 8 mm with
sealing profile 8861KU0-8-2010,
7 mm set inwards



FARDELLO



glass processing for 8 mm with
sealing profile 8861KU0-8-2010,
30 mm set inwards



article no.	finish	glass thickness	article description	features	pu/pieces
8902ZN5	gloss chrome	6/8/10	FARDELLO – shower swing door hinge	90° swing door hinge, with or without sealing profile, concealed screws,	1/2
8902ZN1	matt chrome		glass-glass 90°	wall mount inside with oblong hole adjustment, closed position fully	
8902ZNPVD22	stainless steel optic			adjustable, self-closing from approx. 15°-20°, seal profile cut in	
8902ZNPVD35	black matt			the hinge area.	
8902ZNPVD36	black gloss			*offset dimension (A) of the side panel can be determined by the user.	

**Black
EDITION**

MADE
IN
GERMANY

TF = door panel

W = wall



folding systems with FARDELLO/ FLINTER

FARDELLO is at its best in combination with the FLINTER series. The elegant eye-catcher with high load-bearing capacity and the small power pack with intelligent spring technology unfold their full capabilities and flexibility, particularly in combined bathtub and various folding door systems. The whole process is simple and uncomplicated to implement - with the specialist expertise of Pauli + Sohn.

FARDELLO



FARDELLO – 8900ZN



FLINTER – 8160ZN – available with 0-3 springs

The spring technology of the FLINTER shower door hinge allows you to determine the closing force of your door yourself when ordering. In the chart on page 156, you can find Pauli + Sohn's recommendations on the optimum closing force of the hinges, based on the door size. Please always include these in your order.



- hinges with 1 spring for light doors
- hinges with 2 springs for medium-heavy doors
- hinges with 3 springs for heavy doors

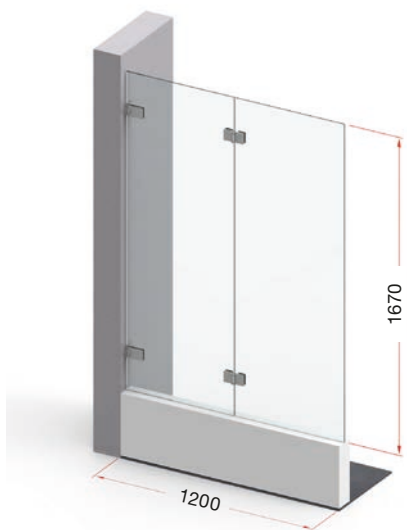


oversizes with folding systems without risk of over opening

load capacity for system width

1200 mm: 40 kg

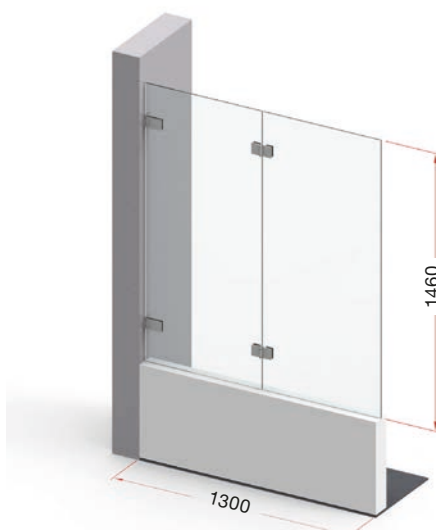
corresponds to a door height of 1670 mm with 8 mm glass



load capacity for system width

1300 mm: 38 kg

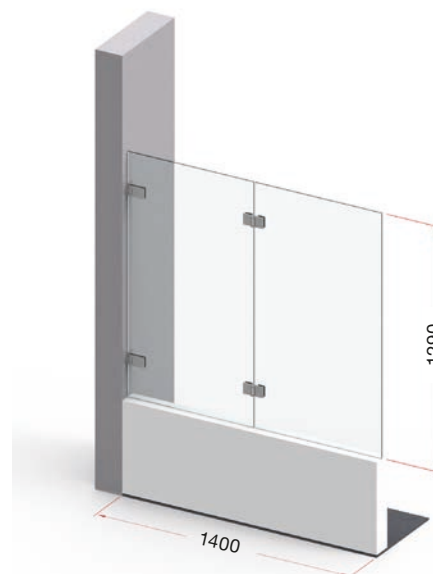
corresponds to a door height of 1460 mm with 8 mm glass



load capacity for system width

1400 mm: 36 kg

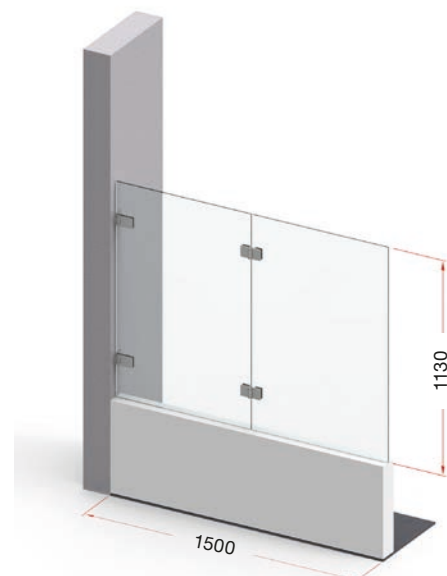
corresponds to a door height of 1290 mm with 8 mm glass



load capacity for system width

1500 mm: 34 kg

corresponds to a door height of 1130 mm with 8 mm glass



Attention: This data is only valid with optimal wall mounting and without the risk of over opening.

Further information and examples of folding systems can be found on pages 120-121.

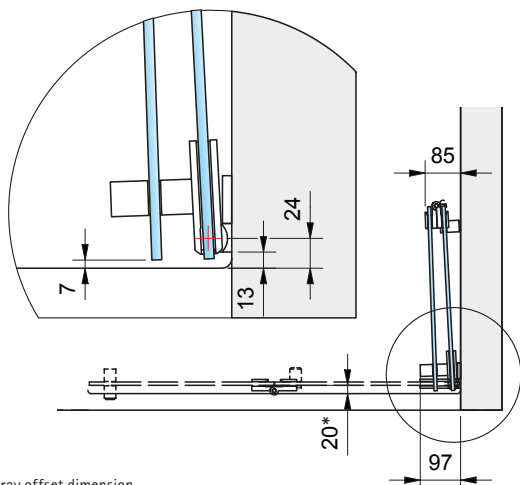


folding systems dimensions with FARDELLO/ FLINTER – glass-wall

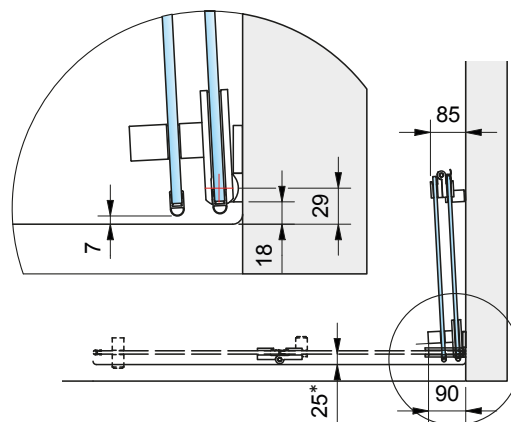
folding system 1: 8900ZN without seal profile and
8160ZN with seal profile 8865KU0

folding system 2: 8900ZN with seal profile 8861KU0 und
8160ZN with seal profile 8861KU0

FARDELLO



* tray offset dimension

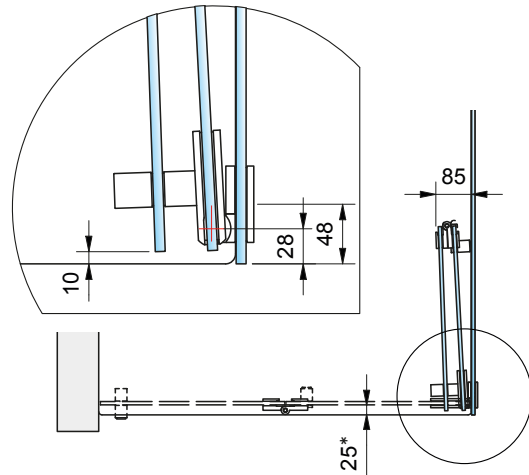


■ FARDELLO is also available in black!



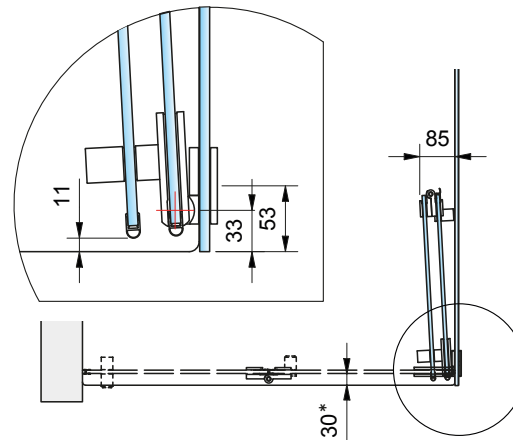
folding systems dimensions with FARDELLO/ FLINTER – glass-glass

folding system 3: 8902ZN without seal profile and
8160ZN with seal profile 8865KU0



* tray offset dimension

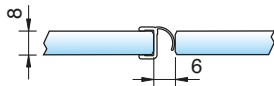
folding system 4: 8902ZN with seal profile 8861KU0 and
8160ZN with seal profile 8861KU0



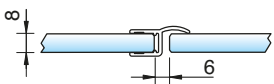
FARDELLO



■ we recommend the seal profile:
8865KU0 for folding door systems.



or 8857KU0



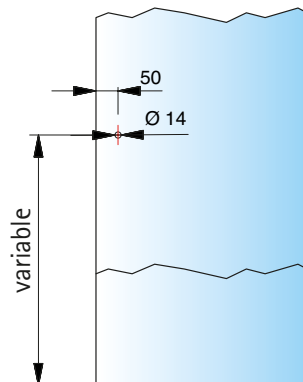
hole spacing for:



8273MS



8271MS



■ for more information about the knobs 8271 and 8273 see page 262



corresponding angle brackets

for FARDELLO Sauna can be found on page 128.



■ MADE
■ IN
■ GERMANY





NEW

FARDELLO
SN

■ sauna swing door hinge FARDELLO



NEW



FARDELLO sauna – an expert for hot applications

■ MADE
■ IN
■ GERMANY

Whether compact private sauna or spacious sauna park - with FARDELLO SN, individual wellness oases can be realized. Our new hinge, specially designed for saunas, maintains its first-class functionality even at ambient temperatures of up to 100° C. This has been proven by our rigorous tests with the maximum permissible door dimensions.

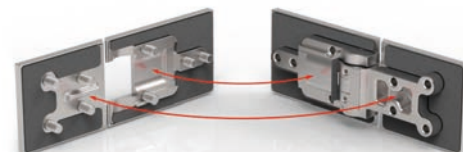
- opens in- and outwards 90°
- minimized gap dimensions for use in the sauna area
- self-closing during the last 15 - 20°
- centrally located pivot point and therefore usable as swing door
- fully adjustable closed position
- excellent quality - "made in Germany" - during the production, materials are used which meet and withstand these special requirements.



sauna swing door hinge – FARDELLO SN



- glass thickness: 8/10 mm
- suitable angle brackets
- max. temperature in height of the upper hinge 80°C (corresponds a general sauna heat adjustment temperature of 100°C)



FARDELLO
SN

features

- **intelligent konstruiert:**
The fitting body and counter plate interlock with each other and are firmly screwed together with 4 screws.
- the 7.5 mm thick wall mounting plate provides better load transfer
- the 3rd fixing hole prevents the fittings from twisting on the wall



8900ZN-SN

- max. door width 800 mm
- loading capacity (2 hinges): 32 kg (corresponding to a glass door with the dimension 800 x 2000 mm and a glass thickness of 8 mm)



8901ZN-SN

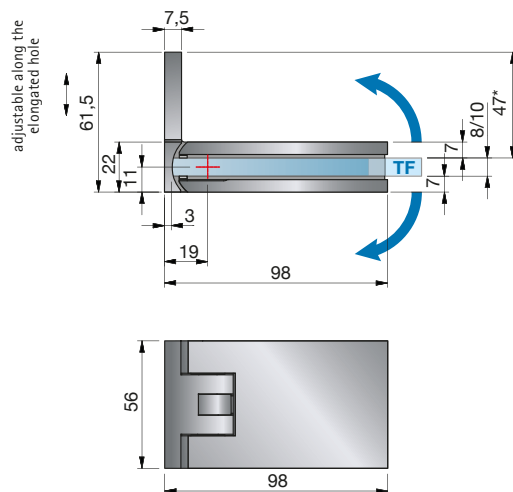
- max. door width 750 mm
- loading capacity (2 hinges): 30 kg (corresponding to a glass door with the dimension 750 x 2000 mm and a glass thickness of 8 mm)



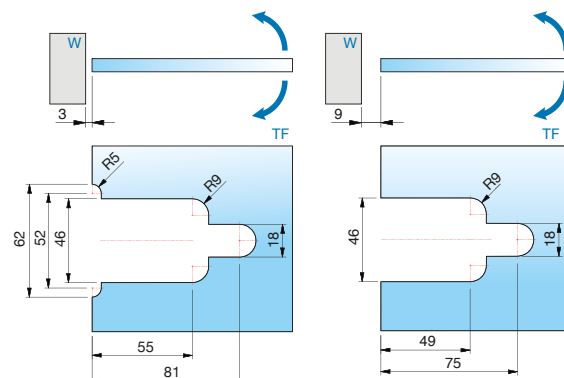
8902ZN-SN

- max. door width 800 mm
- loading capacity (2 hinges): 32 kg (corresponding to a glass door with the dimension 800 x 2000 mm and a glass thickness of 8 mm)

sauna swing door hinge – FARDELLO SN



glass processing for different gap dimensions

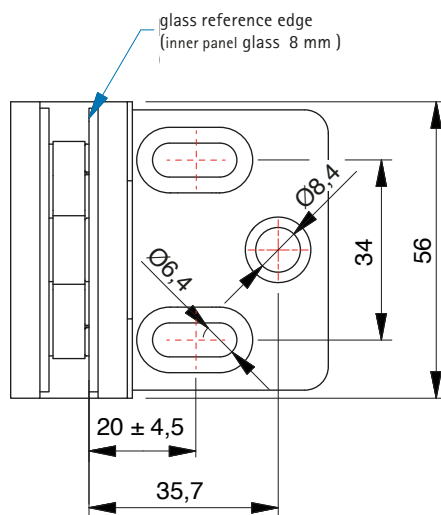


**Black
EDITION**

article no.	finish	glass thickness	article description	features	pu/pieces
8900ZN5-SN	gloss chrome	8/10 mm	FARDELLO – sauna swing door hinge	opens 90° inwards or outwards, concealed screws, wall mounting inside with oblong hole, closed position adjustable, self-closing at approx. 15° - 20°	1/2
8900ZN1-SN	matt chrome		glass-wall 90°		
8900ZNPVD22-SN	stainless steel optic		max. door width 800 mm, loading capacity		
8900ZNPVD35-SN	black matt		(2 hinges): 32 kg for max. 800 x 2000 x 8 mm		
8900ZNPVD36-SN	black gloss				

MADE
IN
GERMANY

Bemaßung Wandlasche 8900ZN

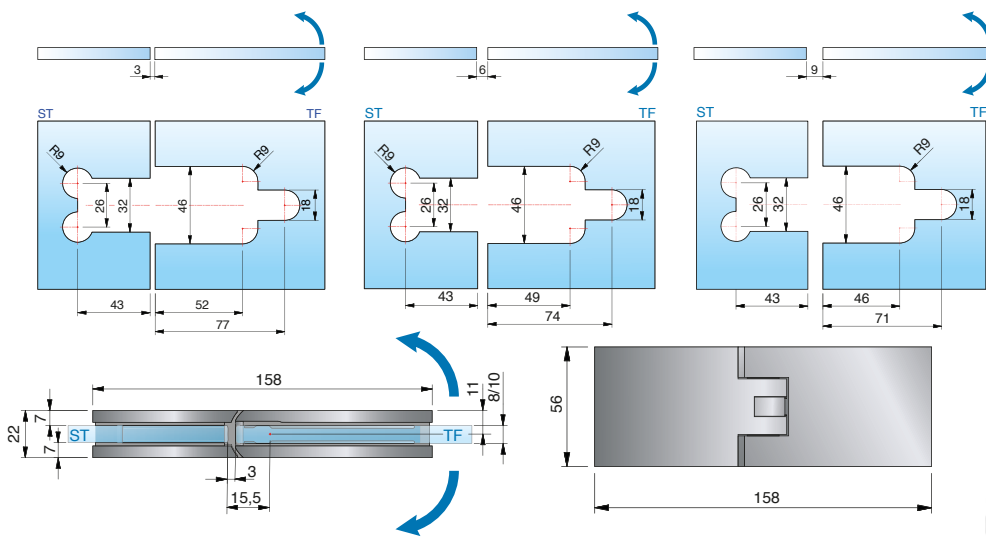


When using the hinges for 10 mm glass thickness, please use the insert set Art. No. HX-SET5 per hinge free of charge.



sauna swing door hinge – FARDELLO SN

glass processing for different gap dimensions

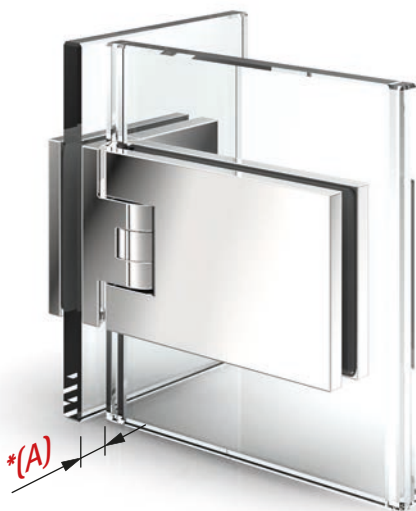


FARDELLO
SN

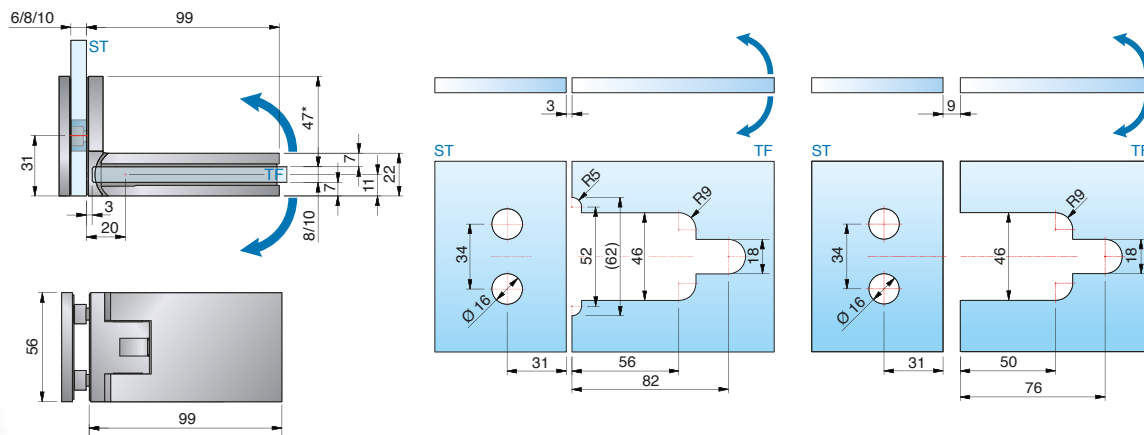
**Black
EDITION**

article no.	finish	glass thickness	article description	features	pu/pieces
8901ZN5-SN	gloss chrome	8/10 mm	FARDELLO – sauna swing door hinge	opens 90° inwards or outwards, concealed screws, closed position adjustable, self-closing at approx. 15° - 20°	1/2
8901ZN1-SN	matt chrome		glass-glass 180°		
8901ZNPVD22-SN	stainless steel optic		max. door width 750 mm, loading capacity		
8901ZNPVD35-SN	black matt		(2 hinges): 30 kg for max. 750 x 2000 x 8 mm		
8901ZNPVD36-SN	black gloss				

MADE
IN
GERMANY



glass processing for different gap dimensions



**Black
EDITION**

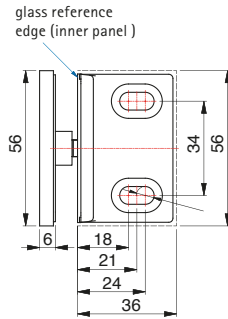
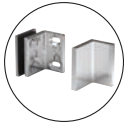
article no.	finish	glass thickness	article description	features	pu/pieces
8902ZN5	gloss chrome	8/10 mm	FARDELLO – sauna swing door hinge	opens 90° inwards or outwards, concealed screws, closed position adjustable, self-closing at approx. 15° - 20°, *offset dimension (A) of the side panel can be determined by the user.	1/2
8902ZN1	matt chrome		glass-glass 180°		
8902ZNPVD22	stainless steel optic		max. door width 800 mm, loading capacity		
8902ZNPVD35	black matt		(2 hinges): 32 kg for max. 800 x 2000 x 8 mm		
8902ZNPVD36	black gloss				

MADE
IN
GERMANY

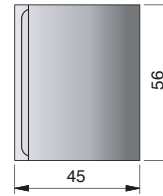
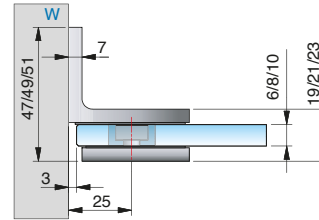
sauna angle bracket – FARDELLO SN



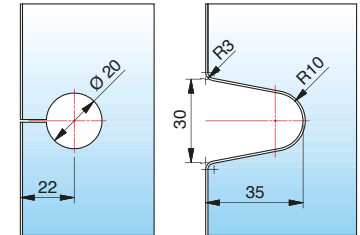
NEW



adjustable along the oblong hole

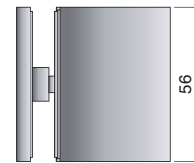
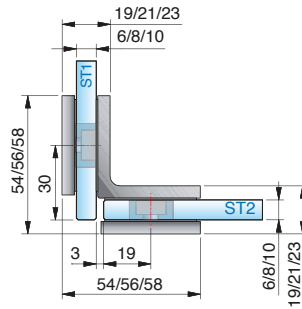
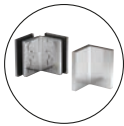


glass processing for 6/8/10 mm glass
hole \varnothing 20 mm or recess R35

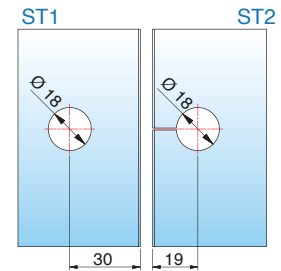


article no.	finish	glass thickness	article description	features	pu/pieces	
8187ZN5-SN	gloss chrome	6/8/10 mm	FARDELLO Sauna angle bracket	wall mounting with oblong hole,	■ MADE IN GERMANY	
8187ZN1-SN	matt chrome		glass-wall 90°	concealed screws with cover plate		1/2
8187ZNPVD22-SN	stainless steel optic					
8187ZNPVD35-SN	black matt					
8187ZNPVD36-SN	black gloss					

NEW



glass processing for 8 mm glass



article no.	finish	glass thickness	article description	features	pu/pieces	
8188ZN5-SN	gloss chrome	6/8/10 mm	FARDELLO Sauna angle bracket	concealed screws with cover plate	■ MADE IN GERMANY	
8188ZN1-SN	matt chrome		glass-glass 90°			1/2
8188ZNPVD22-SN	stainless steel optic					
8188ZNPVD35-SN	black matt					
8188ZNPVD36-SN	black gloss					

ST = side panel

TF = door panel

W = wall





sauna swing door hinge – FARDELLO SN



NEW

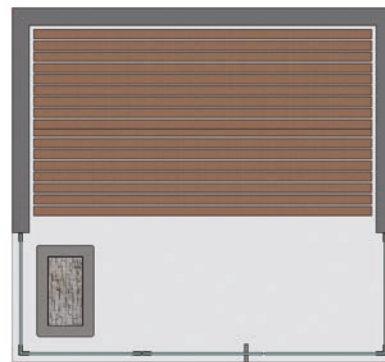
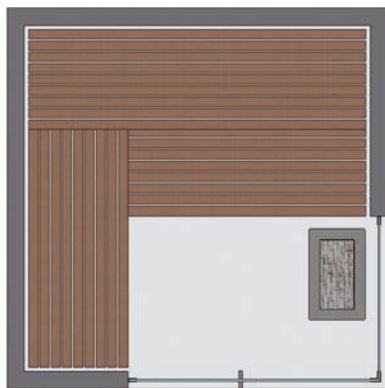
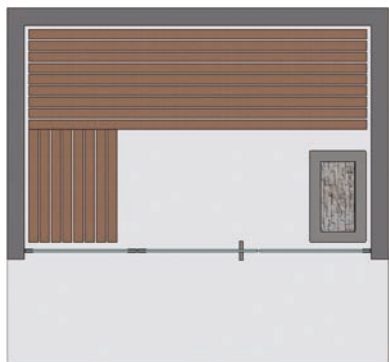
article no.	article description	pu/pieces
8878FKM-1	insert for glass cutout, 300x8x1 mm	1/1
8878FKM-2	insert for glass cutout, 300x8x2 mm	



■ care instructions

The sauna hardware may only be cleaned with warm water and wiped and dried with a soft cloth. Aggressive, alkaline or chlorinated cleaners, scouring agents or solvents may not be used.

For heavier soiling (lime, grease, soap stains) we recommend our special cleaning agent "Gentle Care" for shower hardware - see page 331. During cleaning, the door must be held with one hand to prevent over opening.



- many different installation situations are possible
- sauna swing door hinges and glass must be protected from damage. Therefore, when planning the sauna situation, it must be taken into account that the door panels are not over opened (max. 90°). Together, we can plan tailor-made solutions. - contact us!





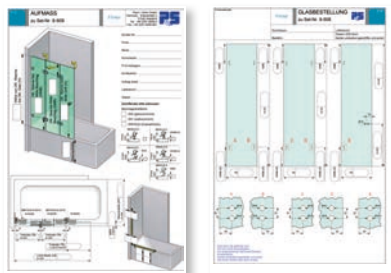
corresponding angle brackets

for FLINTER can be found on page 168.



our service for you!

On www.pauli.de, you can find many different measurement sheets for all standard installations.



■ MADE
■ IN
■ GERMANY



FLINTER

■ shower door hinge FLINTER



FLINTER – great, small

FLINTER unfolds its full power in bathtubs and folding systems. the spring technology ensures a firm snap-in function of the door panel. Depending on size and weight and type of the door stop, you have the choice between 0 and 3 springs. For folding systems we recommend the combination with FLAMEA+ as a wall fixture. This allows the door panel while cleaning to be opened optimally to the outside. Incorrect operation is impossible!

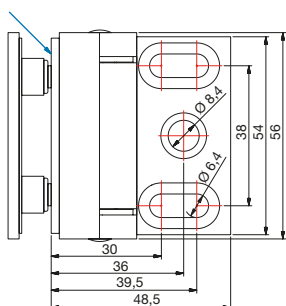
- concealed screws due to cover plates
- self-closing during the last 15 - 20°
- full-length sealing profile on the hinge side
- adjustable closed position (snap-in at the closed position)
- very flat counterplates
- oblong hole adjustment in the wall mount
- glass thickness: 6, 8 and 10 mm
- loading capacity (2 hinges): 36 kg
corresponds to a maximum glass door size of 900 x 2000 mm
with a glass thickness of 8 mm
- the durability of the hardware has been tested internally
according to DIN EN 14428:2015 5.5.



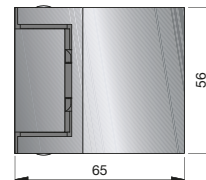
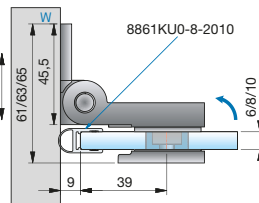
shower door hinge - FLINTER



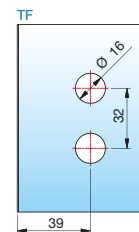
glass reference edge
(inner panel)



adjustable along
the oblong hole



glass processing
for 8 mm glass



**Black
EDITION**

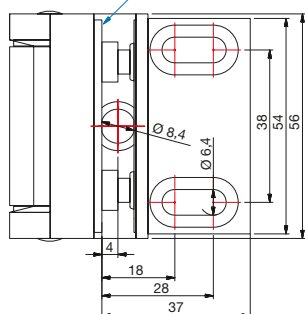
article no.	finish	glass thickness	article description	springs technology	features	pu/pieces
8150__	ZN5 – gloss chrome	6/8/10 mm	shower door hinge FLINTER	with 3 springs	one-sided opening inwards 90°, with	1/2
8150__-2F	ZN1 – matt chrome		glass-wall 90°	with 2 springs	one-sided bracket, concealed screws due	
8150__-1F	ZNPVD22 – stainless steel optic			with 1 spring	to cover plates	
8150__-0F	ZNPVD35 – black matt			without springs		

NEW

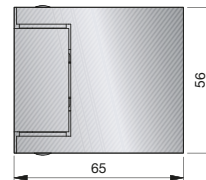
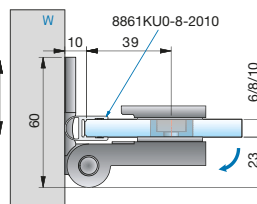
MADE
IN
GERMANY



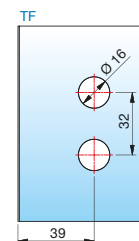
glass reference edge
(Outer panel)



adjustable along
the oblong hole



glass processing
for 8 mm glass



**Black
EDITION**

article no.	finish	glass thickness	article description	springs technology	features	pu/pieces
8152__	ZN5 – gloss chrome	6/8/10 mm	shower door hinge FLINTER	with 3 springs	one-sided opening outwards 90°, with	1/2
8152__-2F	ZN1 – matt chrome		glass-wall 90°	with 2 springs	one-sided bracket, concealed screws due	
8152__-1F	ZNPVD22 – stainless steel optic			with 1 spring	to cover plates	
8152__-0F	ZNPVD35 – black matt			without springs		

NEW

MADE
IN
GERMANY

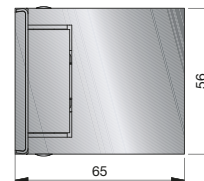
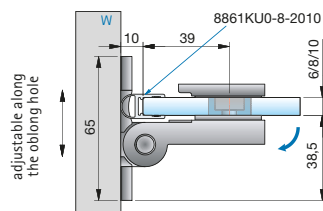
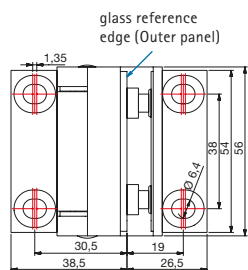
ST = side panel

TF = door panel

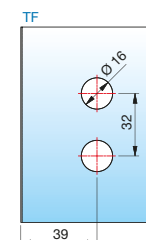
W = wall



shower door hinge - FLINTER



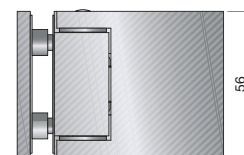
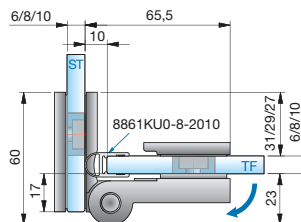
glass processing for 8 mm glass



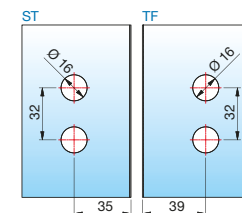
Black
EDITION

article no.	finish	glass thickness	article description	springs technology	features	pu/pieces
8154__	ZN5 - gloss chrome	6/8/10 mm	shower door hinge FLINTER	with 3 springs	one-sided opening outwards 90°, with	1/2
8154__-2F	ZN1 - matt chrome		glass-wall 90°	with 2 springs	two-sided bracket, concealed screws due	
8154__-1F	ZNPVD22 - stainless steel optic			with 1 spring	to cover plates	
8154__-0F	ZNPVD35 - black matt			without springs		

MADE
IN
GERMANY



glass processing for 8 mm glass



Black
EDITION

article no.	finish	glass thickness	article description	springs technology	features	pu/pieces
8158__	ZN5 - gloss chrome	6/8/10 mm	shower door hinge FLINTER	with 3 springs	one-sided opening outwards 90°, concealed	1/2
8158__-2F	ZN1 - matt chrome		glass-glass 90°	with 2 springs	screws due to cover plates (screws on the side	
8158__-1F	ZNPVD22 - stainless steel optic			with 1 spring	panel part visible)	
8158__-0F	ZNPVD35 - black matt			without springs		

MADE
IN
GERMANY

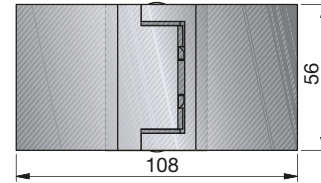
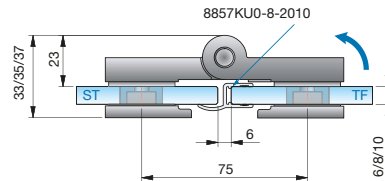
ST = side panel

TF = door panel

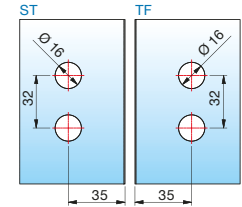
W = wall



shower door hinge - FLINTER



glass processing for 8 mm glass



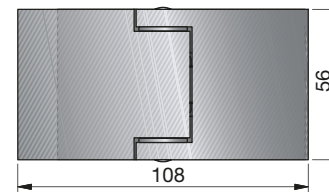
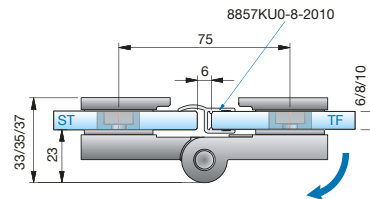
FLINTER

**Black
EDITION**

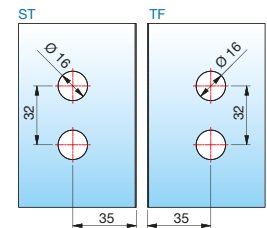
article no.	finish	glass thickness	article description	springs technology	features	pu/pieces
8160__	ZN5 - gloss chrome	6/8/10 mm	shower door hinge FLINTER glass-glass 180°	with 3 springs	one-sided opening inwards 180°, concealed screws due to cover plates	1/2
8160__-2F	ZN1 - matt chrome			with 2 springs		
8160__-1F	ZNPVD22 - stainless steel optic			with 1 spring		
8160__-0F	ZNPVD35 - black matt			without springs		

NEW

**MADE
IN
GERMANY**



glass processing for 8 mm glass



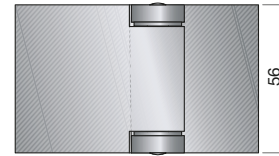
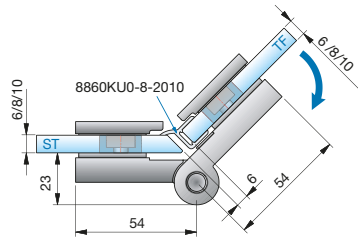
**Black
EDITION**

article no.	finish	glass thickness	article description	springs technology	features	pu/pieces
8162__	ZN5 - gloss chrome	6/8/10 mm	shower door hinge FLINTER glass-glass 180°	with 3 springs	one-sided opening outwards 180°, concealed screws due to cover plates	1/2
8162__-2F	ZN1 - matt chrome			with 2 springs		
8162__-1F	ZNPVD22 - stainless steel optic			with 1 spring		
8162__-0F	ZNPVD35 - black matt			without springs		

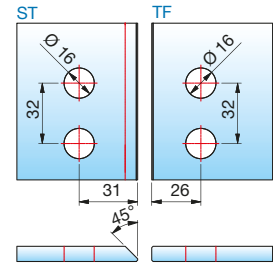
NEW

**MADE
IN
GERMANY**

shower door hinge - FLINTER



glass processing for 8 mm glass



**Black
EDITION**

article no.	finish	glass thickness	article description	springs technology	features	pu/pieces
8164__	ZN5 - gloss chrome	6/8/10 mm	shower door hinge FLINTER	with 3 springs	one-sided opening outwards 225°	1/2
8164__-2F	ZN1 - matt chrome		glass-glass 135°	with 2 springs	concealed screws due to cover plates	
8164__-1F	ZNPVD22 - stainless steel optic			with 1 spring		
8164__-0F	ZNPVD35 - black matt			without springs		

MADE
IN
GERMANY

ST = side panel

TF = door panel

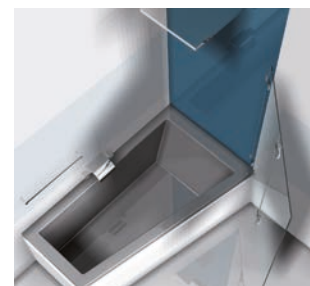
W = wall

NEW



We recommend to install all available striker hinges with sealing profiles to avoid damage to the glass.

Please note that the instruction manual can be found on page 332.



FLINTER



8162ZN



8900ZN



8130ZN

application with FLINTER (8162ZN) and the FLAMEA or FLAMEA⁺

- this avoids any mistakes while opening the door outwards.
- the door panel can be cleaned outside the shower.
- for the maximum glass dimensions, please refer to the overview on page 119.
- when used as a folding partition with "glass-glass 180° outward-opening" (8162ZN) and "glass-wall 90° inward-opening" (8150ZN) hinges, these automatically align themselves near the closed position

General note

- due to the system, a superficial matting may occur in the area of the rollers on the visible surface due to micro-scratches.



recommended number of springs for doors using FLINTER

- hinges with 1 spring for lightweight doors
- hinges with 2 springs for mediumweight doors
- hinges with 4 springs for heavyweight doors
- door is too heavy

FLINTER

			door width									
			450 mm	500 mm	550 mm	600 mm	650 mm	700 mm	750 mm	800 mm	850 mm	900 mm
door height	6 mm	1600 mm	10,8 kg	12,0 kg	13,2 kg	14,4 kg	15,6 kg	16,8 kg	18,0 kg	19,2 kg	20,4 kg	21,6 kg
		1700 mm	11,5 kg	12,8 kg	14,0 kg	15,3 kg	16,6 kg	17,9 kg	19,1 kg	20,4 kg	21,7 kg	23,0 kg
		1800 mm	12,2 kg	13,5 kg	14,9 kg	16,2 kg	17,6 kg	18,9 kg	20,3 kg	21,6 kg	23,0 kg	24,3 kg
		1900 mm	12,8 kg	14,3 kg	15,7 kg	17,1 kg	18,5 kg	20,0 kg	21,4 kg	22,8 kg	24,2 kg	25,7 kg
		2000 mm	13,5 kg	15,0 kg	16,5 kg	18,0 kg	19,5 kg	21,0 kg	22,5 kg	24,0 kg	25,5 kg	27,0 kg
		2100 mm	14,2 kg	15,8 kg	17,3 kg	18,9 kg	20,5 kg	22,1 kg	23,6 kg	25,2 kg	26,8 kg	28,4 kg
	8 mm	1600 mm	14,4 kg	16,0 kg	17,6 kg	19,2 kg	20,8 kg	22,4 kg	24,0 kg	25,6 kg	27,2 kg	28,8 kg
		1700 mm	15,3 kg	17,0 kg	18,7 kg	20,4 kg	22,1 kg	23,8 kg	25,5 kg	27,2 kg	28,9 kg	30,6 kg
		1800 mm	16,2 kg	18,0 kg	19,8 kg	21,6 kg	23,4 kg	25,2 kg	27,0 kg	28,8 kg	30,6 kg	32,4 kg
		1900 mm	17,1 kg	19,0 kg	20,9 kg	22,8 kg	24,7 kg	26,6 kg	28,5 kg	30,4 kg	32,3 kg	34,2 kg
		2000 mm	18,0 kg	20,0 kg	22,0 kg	24,0 kg	26,0 kg	28,0 kg	30,0 kg	32,0 kg	34,0 kg	36,0 kg
		2100 mm	18,9 kg	21,0 kg	23,1 kg	25,2 kg	27,3 kg	29,4 kg	31,5 kg	33,6 kg	35,7 kg	37,8 kg
	10 mm	1600 mm	18,0 kg	20,0 kg	22,0 kg	24,0 kg	26,0 kg	28,0 kg	30,0 kg	32,0 kg	34,0 kg	36,0 kg
		1700 mm	19,1 kg	21,3 kg	23,4 kg	25,5 kg	27,6 kg	29,8 kg	31,9 kg	34,0 kg	36,1 kg	38,3 kg
		1800 mm	20,3 kg	22,5 kg	24,8 kg	27,0 kg	29,3 kg	31,5 kg	33,8 kg	36,0 kg	38,3 kg	40,5 kg
		1900 mm	21,4 kg	23,8 kg	26,1 kg	28,5 kg	30,9 kg	33,3 kg	35,6 kg	38,0 kg	40,4 kg	42,8 kg
		2000 mm	22,5 kg	25,0 kg	27,5 kg	30,0 kg	32,5 kg	35,0 kg	37,5 kg	40,0 kg	42,5 kg	45,0 kg
		2100 mm	23,6 kg	26,3 kg	28,9 kg	31,5 kg	34,1 kg	36,8 kg	39,4 kg	42,0 kg	44,6 kg	47,3 kg





The spring technology of the FLINTER shower door hinge allows you to determine how strong the closing force of your door should be yourself. In the chart on page 138, you can find the recommendations of Pauli + Sohn on the optimal closing force of the hinges in relation to the size of the door. Please always include this in your order.



spring technology - 1 spring



spring technology - 2 springs



spring technology - 3 springs

FLINTER

for door panel sizes up to a maximum of 900 mm:



2-panels = 1 spring



1-door panel/1-side panel = 2 springs



1-panel = 3 springs



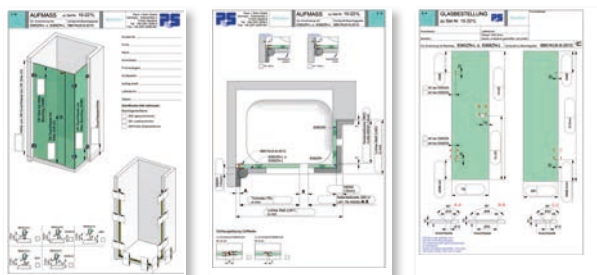
corresponding angle brackets

for NIVELLO⁺ / NIVELLO can be found on page 168.



our service for you!

On www.pauli.de, you can find many different measurement sheets for all standard installations.



■ MADE
■ IN
■ GERMANY



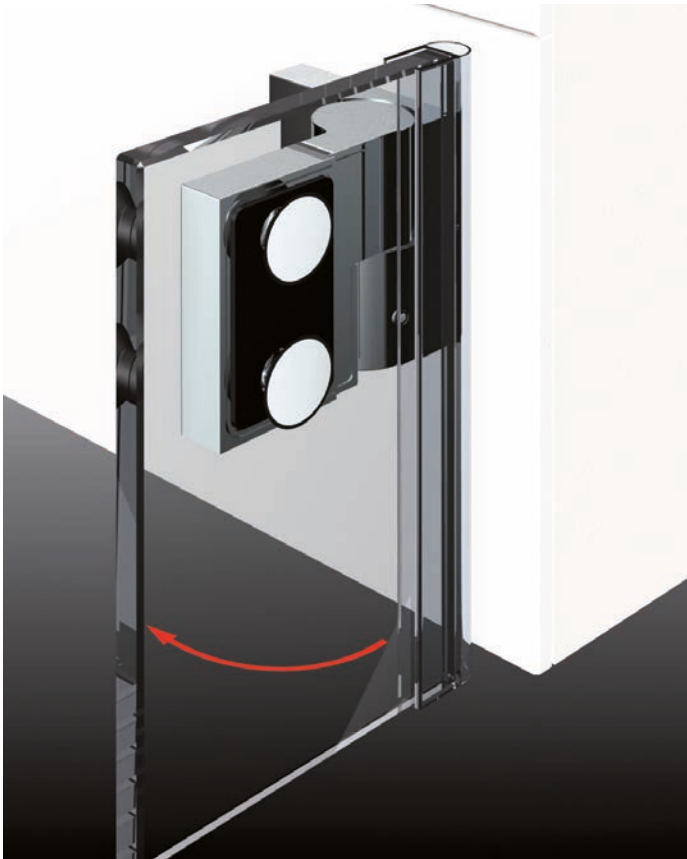
- shower door hinge with lifting function NIVELLO



NIVELLO und NIVELLO⁺ – perfect: transparent

NIVELLO, the lifting & lowering shower door hinge offers perfection in detail. NIVELLO lifts the door comfortably during opening and closes automatically during lowering. In addition, the shower door hinge is very versatile - flush or with counter plate - NIVELLO is focused on design and functionality.

- load capacity (2 hinges): 36 kg
corresponds to a glass door of 900 x 2000 mm with a glass thickness of 8 mm
- maximum panel size for bathtub applications 1200 x 1500 mm
- full-length sealing profile on the hinge side
- the durability of the hardware has been tested internally according to DIN EN 14428:2015 5.5.



flush



with counter plate

- lifting function – lifting height 6 mm, after approx. 54°
- self-closing during lowering
- wall fixation either on the inside or outside
- elegant design – concealed screws



NIVELLO+ – flush

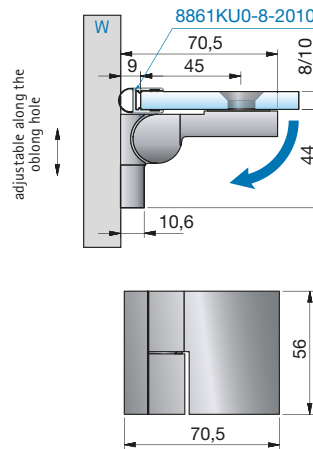
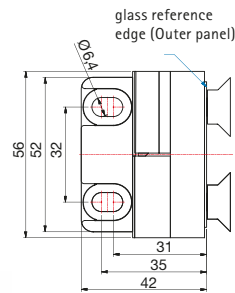
Transparent design and harmonious alignment with adjacent areas are characteristics of modern architecture. The shower door hinge with a lift lowering-mechanism is flush on the inside and perfect for a comfortable cleaning. Moreover, the series offers a user-friendly mounting.

- the screw connection is made through the hinge body in a massive
- countersink bushing – this results in a particularly good surface flush
- independently adjustable in any direction (+/- 2 mm)
- flush glass mounting for easy cleaning
- infinitely adjustable closed position
- wall mounting with slotted hole adjustment
- concealed screws

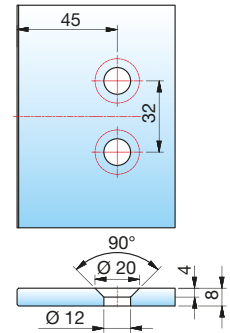


NIVELLO+ striker hinge – flush

mounted on the left,
opening outwards 90°,
mounting plate on the
outside



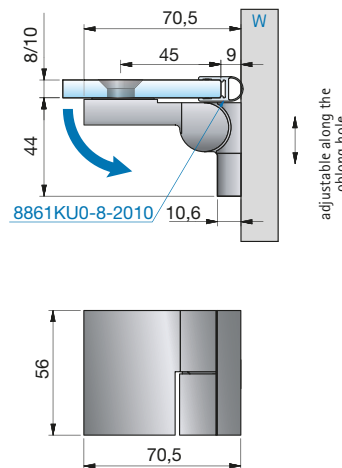
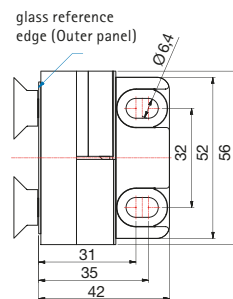
all dimensions/sealing
profiles shown apply to
8 mm glass.



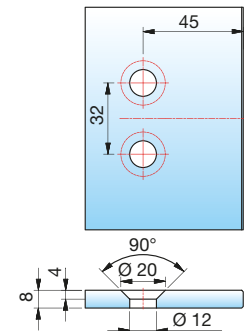
article no.	finish	glass thickness	article description	features	pu/piece
8360ZN5-L	gloss chrome	8/10 mm	NIVELLO+ striker hinge	flush glass fastening, wall mounting outside with oblong hole,	1/2
8360ZN1-L	matt chrome		with lifting function,	concealed screws with cover cap, fix points independently	
8360ZNPVD22-L	stainless steel optic		glass-wall 90°	adjustable ± 2 mm in every direction, closed position adjustable	

MADE
IN
GERMANY

mounted on the right,
opening outwards 90°,
mounting plate on the
outside



all dimensions/sealing
profiles shown apply to
8 mm glass.



article no.	finish	glass thickness	article description	features	pu/piece
8360ZN5-R	gloss chrome	8/10 mm	NIVELLO+ striker hinge	flush glass fastening, wall mounting outside with oblong hole	1/2
8360ZN1-R	matt chrome		with lifting function,	concealed screws with cover cap, fix points independently	
8360ZNPVD22-R	stainless steel optic		glass-wall 90°	adjustable ± 2 mm in every direction, closed position adjustable	

MADE
IN
GERMANY

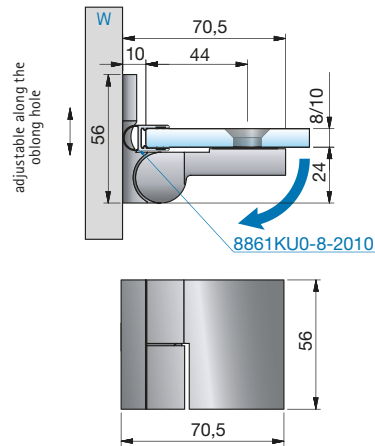
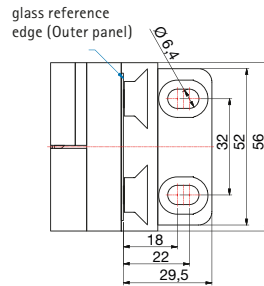
TF = door panel

W = wall

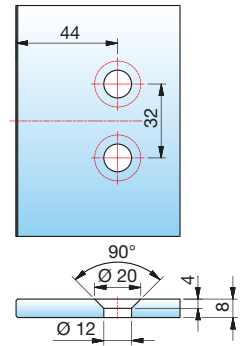
NIVELLO+ striker hinge – flush



mounted on the left,
opening outwards 90°,
mounting plate on the
inside



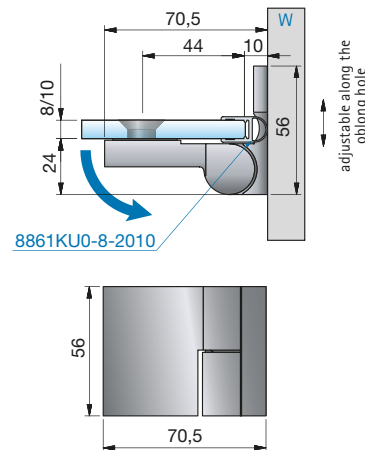
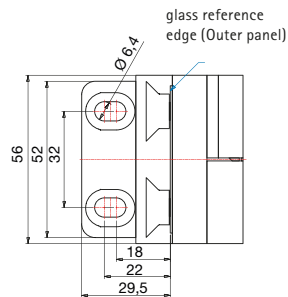
all dimensions/sealing
profiles shown apply to
8 mm glass.



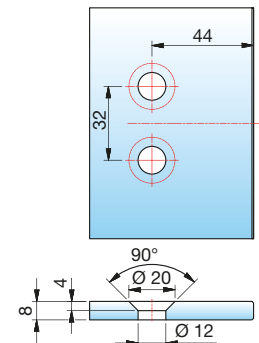
article no.	finish	glass thickness	article description	features	pu/piece
8368ZN5-L	gloss chrome	8/10 mm	NIVELLO+ striker hinge	flush glass fastening, wall mounting inside with oblong hole,	1/2
8368ZN1-L	matt chrome		with lifting function,	concealed screws with cover cap, fix points independently	
8368ZNPVD22-L	stainless steel optic		glass-wall 90°	adjustable ± 2 mm in every direction, closed position adjustable	

MADE
IN
GERMANY

mounted on the right,
opening outwards 90°,
mounting plate on the
inside



all dimensions/sealing
profiles shown apply to
8 mm glass.



article no.	finish	glass thickness	article description	features	pu/piece
8368ZN5-R	gloss chrome	8/10 mm	NIVELLO+ striker hinge	flush glass fastening, wall mounting inside with oblong hole,	1/2
8368ZN1-R	matt chrome		with lifting function,	concealed screws with cover cap, fix points, independently	
8368ZNPVD22-R	stainless steel optic		glass-wall 90°	adjustable ± 2 mm in every direction, closed position adjustable	

MADE
IN
GERMANY

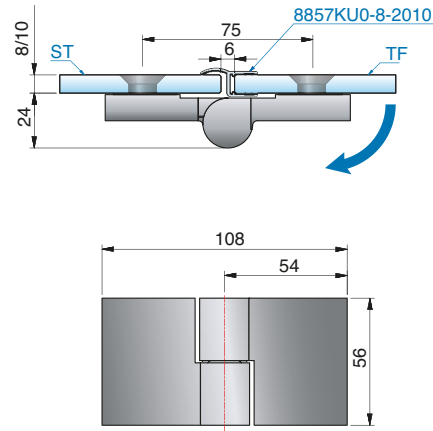
TF = door panel

W = wall

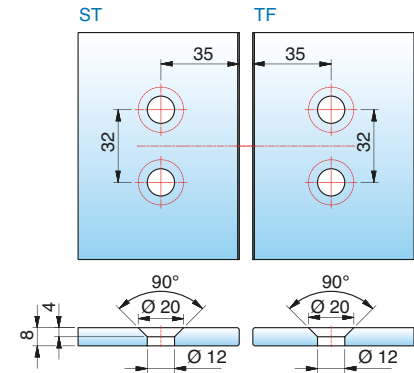


NIVELLO+ striker hinge – flush

mounted on the left,
opening outwards 180°



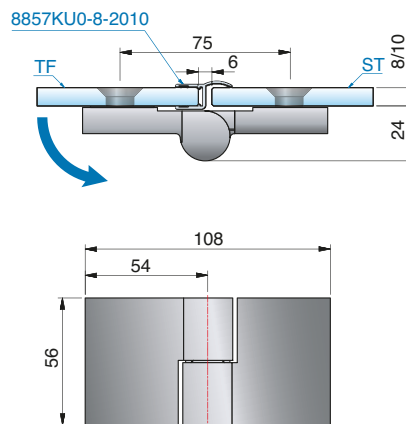
all dimensions/sealing
profiles shown apply to
8 mm glass.



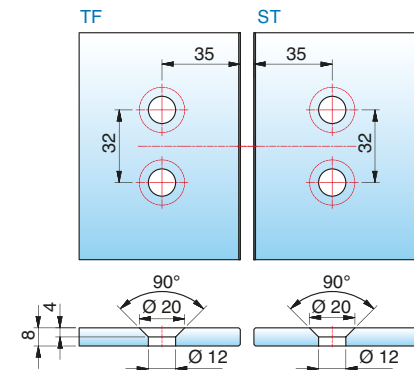
article no.	finish	glass thickness	article description	features	pu/piece
8362ZN5-L	gloss chrome	8/10 mm	NIVELLO+ striker hinge	glass fastening flush, concealed screws with cover cap,	1/2
8362ZN1-L	matt chrome		with lifting function,	fix points independently adjustable ± 2 mm in every direction,	
8362ZNPVD22-L	stainless steel optic		glass-glass 180°	closed position adjustable	

MADE
IN
GERMANY

mounted on the right,
opening outwards 180°



all dimensions/sealing
profiles shown apply to
8 mm glass.



article no.	finish	glass thickness	article description	features	pu/piece
8362ZN5-R	gloss chrome	8/10 mm	NIVELLO+ striker hinge	glass fastening flush, concealed screws with cover cap,	1/2
8362ZN1-R	matt chrome		with lifting function,	fix points independently adjustable ± 2 mm in every direction,	
8362ZNPVD22-R	stainless steel optic		glass-glass 180°	closed position adjustable	

MADE
IN
GERMANY

ST = side panel

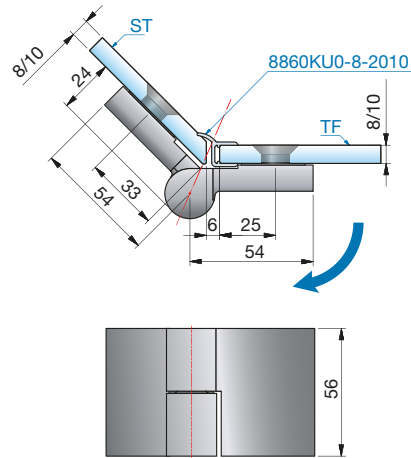
TF = door panel

W = wall

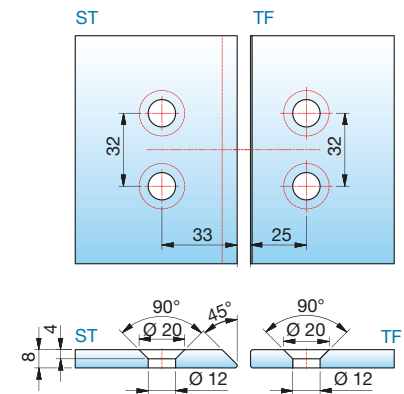
NIVELLO+ striker hinge – flush



mounted on the left,
opening outwards 180°
(2nd closed position)



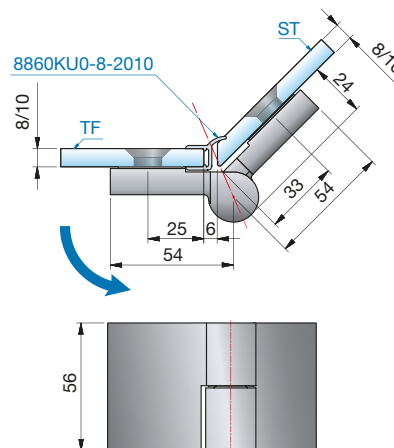
all dimensions/sealing
profiles shown apply to
8 mm glass.



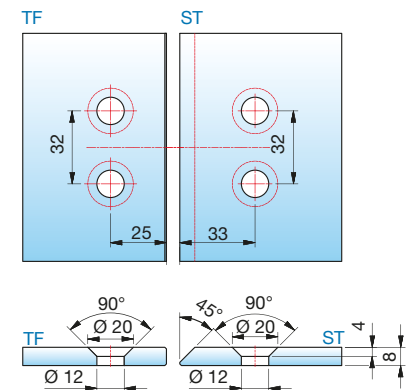
article no.	finish	glass thickness	article description	features	pu/piece
8364ZN5-L	gloss chrome	8/10 mm	NIVELLO+ striker hinge	glass fastening flush, concealed screws with cover cap,	1/2
8364ZN1-L	matt chrome		with lifting function,	fix points independently adjustable ± 2 mm in every direction,	
8364ZNPVD22-L	stainless steel optic		glass-glass 135°	closed position adjustable	

MADE
IN
GERMANY

mounted on the right,
opening outwards 180°
(2nd closed position)



all dimensions/sealing
profiles shown apply to
8 mm glass.

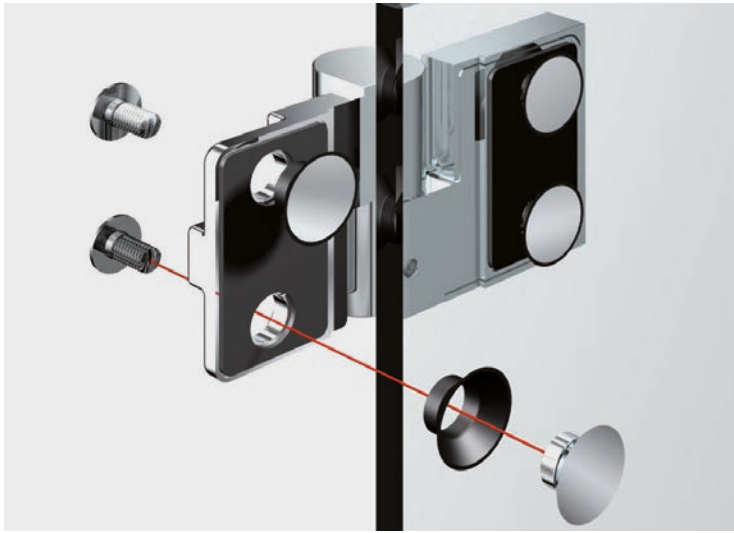


article no.	finish	glass thickness	article description	features	pu/piece
8364ZN5-R	gloss chrome	8/10 mm	NIVELLO+ striker hinge	glass fastening flush, concealed screws with cover cap,	1/2
8364ZN1-R	matt chrome		with lifting function,	fix points independently adjustable ± 2 mm in every direction,	
8364ZNPVD22-R	stainless steel optic		glass-glass 135°	closed position adjustable	

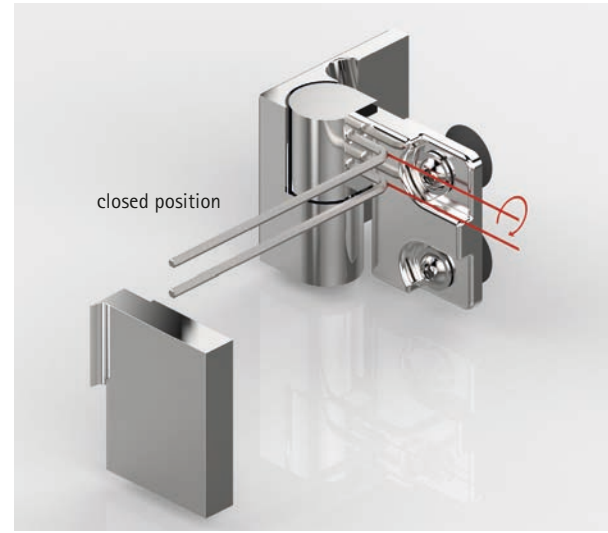
MADE
IN
GERMANY

ST = side panel

TF = door panel



- the screws are installed through the hinge body into a massive countersink bushing – this creates a particularly good alignment with the adjacent areas
- independently adjustable in every direction (± 2 mm)



- infinitely adjustable closed position
- wall mounting with oblong holes
- elegant design – concealed screws



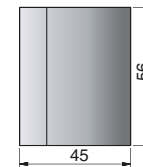
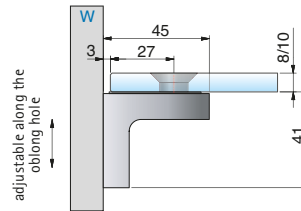
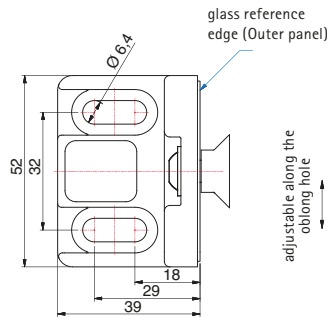
- flush-mounted glass fastening for simple cleaning



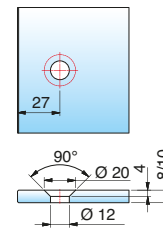
We recommend to install all available striker hinges with sealing profiles to avoid damage to the glass.

Please note that the instruction manual can be found on page 332.

NIVELLO+ striker hinge – flush

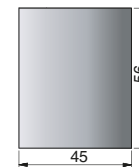
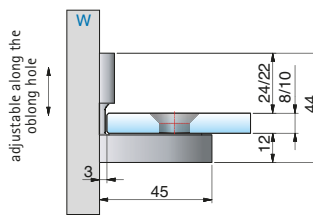
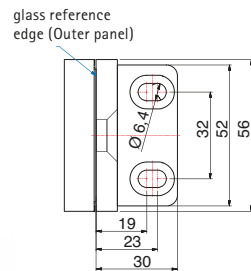


glass processing for 8/10 mm glass

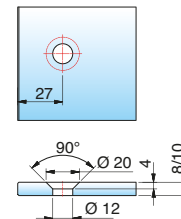


article no.	finish	glass thickness	article description	features	pu/piece
8380ZN5	gloss chrome	8/10 mm	angle bracket, glass-wall 90°, flush	mounting plate outside with oblong hole, cover cap, fix point independently adjustable ± 2 mm in every direction	1/2
8380ZN1	matt chrome				
8380ZNPVD22	stainless steel optic				

MADE IN GERMANY

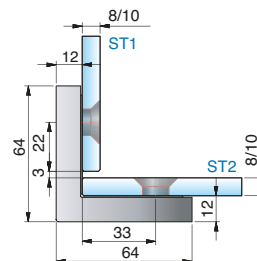


glass processing for 8/10 mm glass

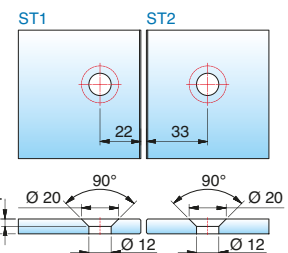
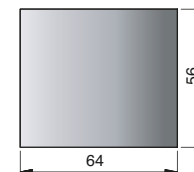


article no.	finish	glass thickness	article description	features	pu/piece
8381ZN5	gloss chrome	8/10 mm	angle bracket, glass-wall 90°, flush	mounting plate inside with oblong hole, cover cap, fix point independently adjustable ± 2 mm in every direction	1/2
8381ZN1	matt chrome				
8381ZNPVD22	stainless steel optic				

MADE IN GERMANY



glass processing for 8 mm glass



article no.	finish	glass thickness	article description	features	pu/piece
8382ZN5	gloss chrome	8/10 mm	angle bracket, glass-glass 90°, flush	cover cap, fix points independently adjustable ± 2 mm in every direction	1/2
8382ZN1	matt chrome				
8382ZNPVD22	stainless steel optic				

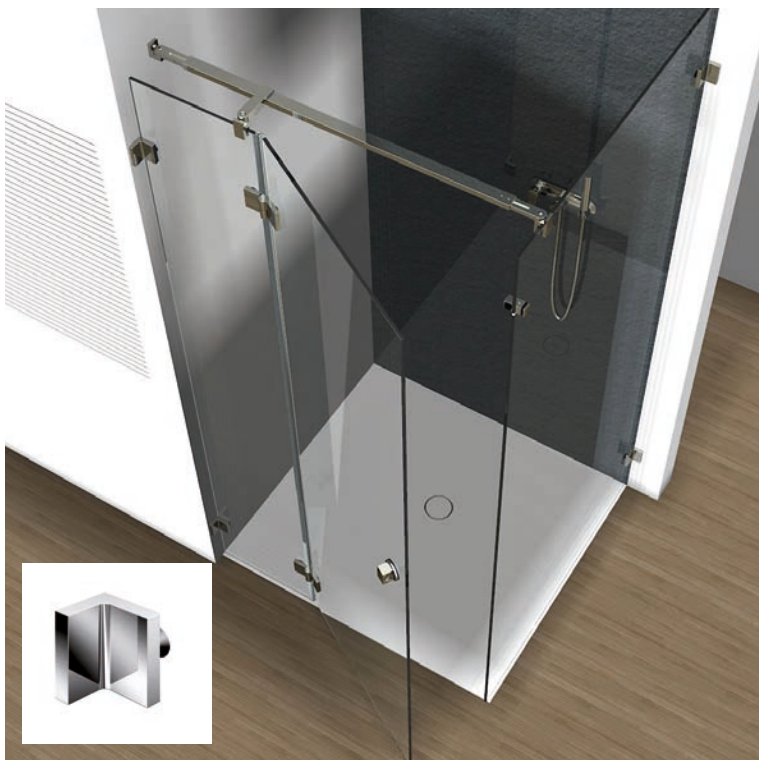
MADE IN GERMANY

ST = side panel

W = wall



NIVELLO+ striker hinge – flush



NIVELLO+



glass door handle, flush – see on page 264.



NIVELLO

NIVELLO – with counter plate

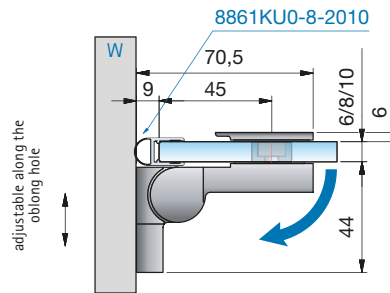
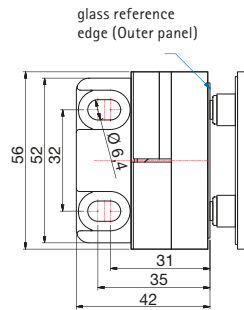
NIVELLO combines the special technical possibilities of NIVELLO+ with a simple glass processing by the use of a very flat counter plate. The system plays its strengths for example in the use of bathtub folding partitions.

- mounting plate inside or outside
- glass fastening with counter plate
- hinges mountable on the right and on the left
- suitable for 6, 8 + 10 mm glass
- good adjustability within the hole
- fully adjustable closed position
- wall mounting with oblong hole
- elegant design – concealed screws

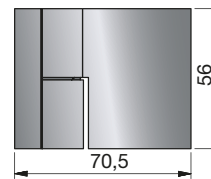
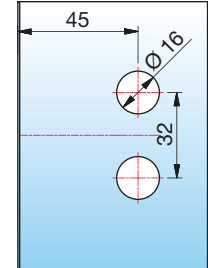


NIVELLO striker hinge – with counter plate

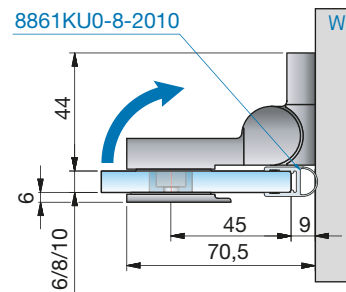
mounted on the left,
opening outwards 90°,
mounting plate on
the outside



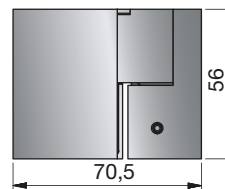
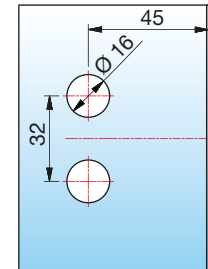
all dimensions/sealing
profiles shown apply to
8 mm glass.



mounted on the right,
opening inwards 90°,
mounting plate on
the inside



all dimensions/sealing
profiles shown apply to
8 mm glass.



article no.	finish	glass thickness	article description	features	pu/piece
8361ZN5-L	gloss chrome	6/8/10 mm	NIVELLO striker hinge	glass fastening with counter plate, wall mounting with oblong hole, concealed screws with cover cap, mountable in both situations, closed position adjustable	1/2
8361ZN1-L	matt chrome		with lifting function,		
8361ZNPVD22-L	stainless steel optic		glass-wall 90°		

MADE
IN
GERMANY

ST = side panel

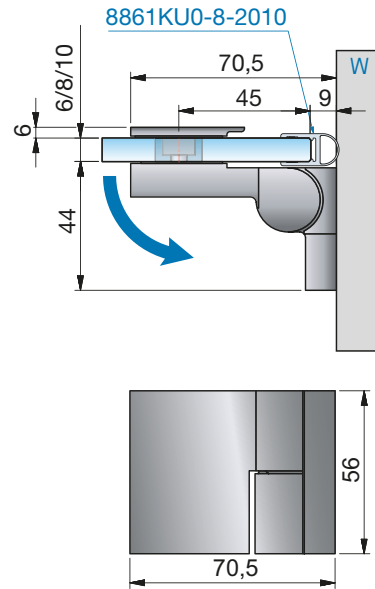
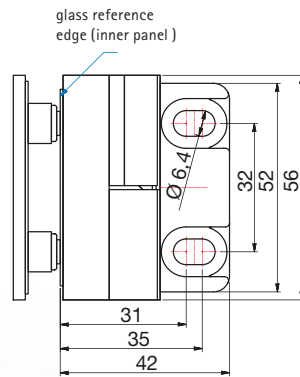
TF = door panel

W = wall

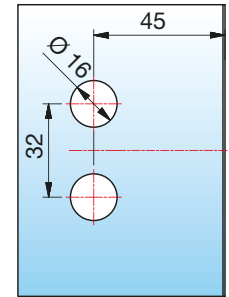
NIVELLO striker hinge – with counter plate



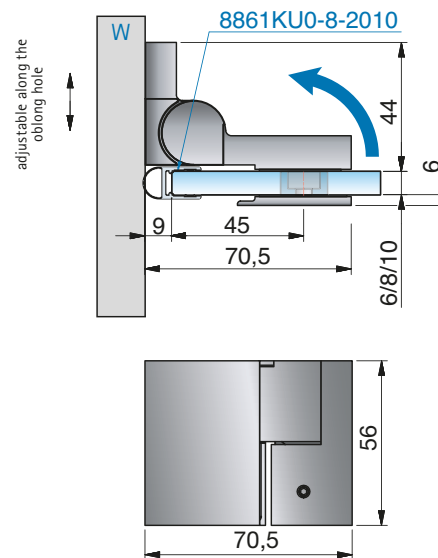
mounted on the right,
opening outwards 90°
mounting plate on the outside



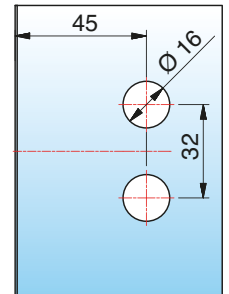
all dimensions/sealing
profiles shown apply to
8 mm glass.



mounted on the left,
opening inwards 90°
mounting plate on the inside



all dimensions/sealing
profiles shown apply to
8 mm glass.



article no.	finish	glass thickness	article description	features	pu/piece
8361ZN5-R	gloss chrome	6/8/10 mm	NIVELLO striker hinge	glass fastening with counter plate, wall mounting with oblong	1/2
8361ZN1-R	matt chrome		with lifting function,	hole, concealed screws with cover cap, mountable in both situations,	
8361ZNPVD22-R	stainless steel optic		glass-wall 90°	closed position adjustable	

MADE
IN
GERMANY

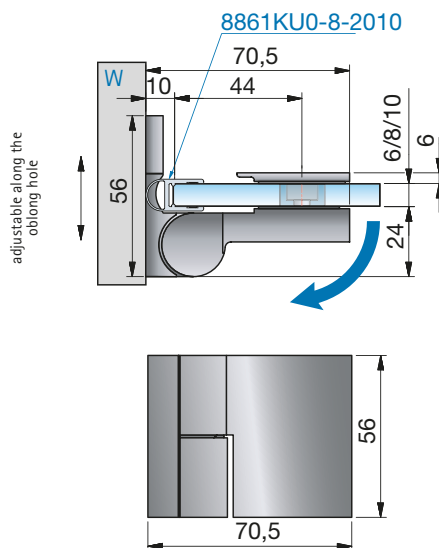
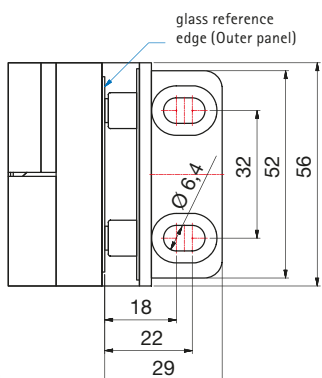
TF = door panel

W = wall

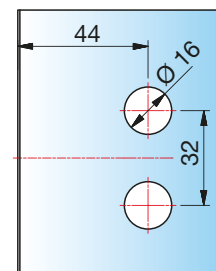


NIVELLO striker hinge – with counter plate

mounted on the left,
opening outwards 90°
mounting plate on the inside



all dimensions/sealing
profiles shown apply to
8 mm glass.

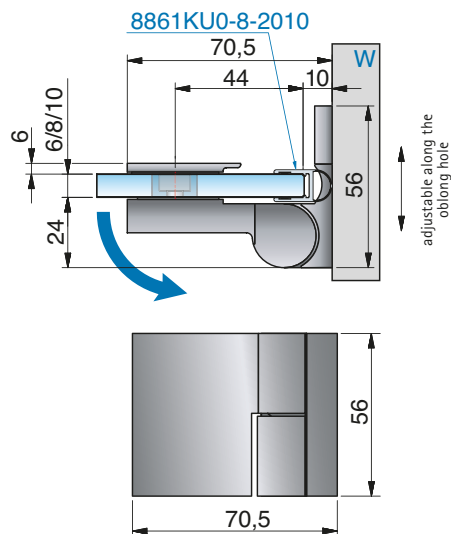


NIVELLO

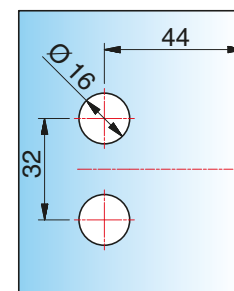
article no.	finish	glass thickness	article description	features	pu/piece
8369ZN5-L	gloss chrome	6/8/10 mm	NIVELLO striker hinge	glass fastening with counter plate, wall mounting inside with oblong hole, concealed screws with cover cap, closed position	1/2
8369ZN1-L	matt chrome		with lifting function,	adjustable	
8369ZNPVD22-L	stainless steel optic		glass-wall 90°		

MADE
IN
GERMANY

mounted on the right,
opening outwards 90°
mounting plate on the inside



all dimensions/sealing
profiles shown apply to
8 mm glass.



article no.	finish	glass thickness	article description	features	pu/piece
8369ZN5-R	gloss chrome	6/8/10 mm	NIVELLO striker hinge	glass fastening with counter plate, wall mounting inside with oblong hole, concealed screws with cover cap, closed position	1/2
8369ZN1-R	matt chrome		with lifting function,	adjustable	
8369ZNPVD22-R	stainless steel optic		glass-wall 90°		

MADE
IN
GERMANY

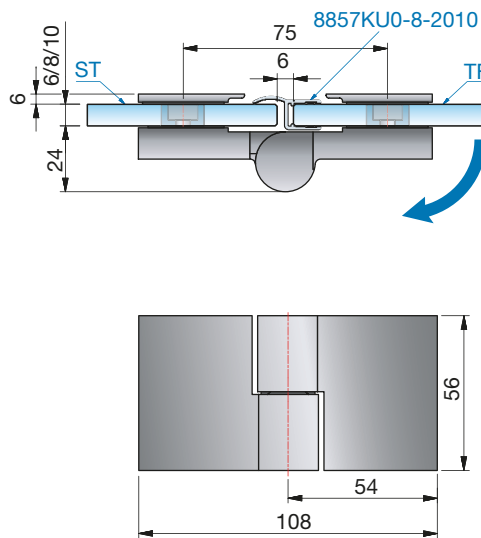
TF = door panel

W = wall

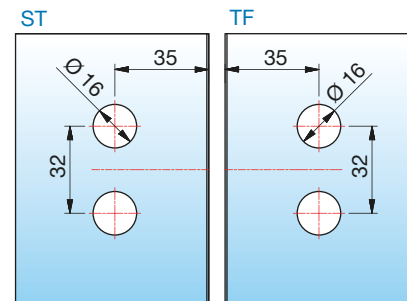
NIVELLO striker hinge – with counter plate



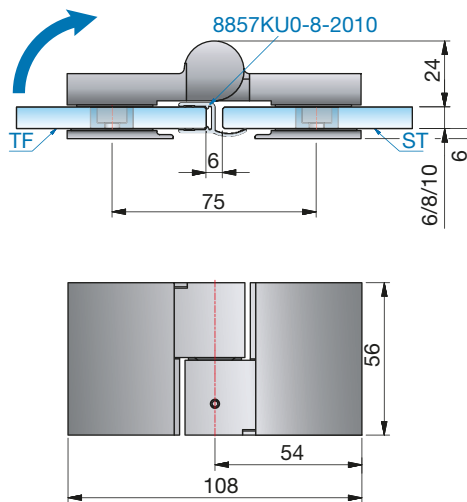
mounted on the left,
opening outwards 180°



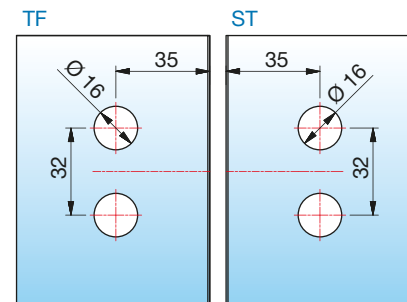
all dimensions/sealing
profiles shown apply to
8 mm glass.



mounted on the right,
opening inwards 180°



all dimensions/sealing
profiles shown apply to
8 mm glass.



article no.	finish	glass thickness	article description	features	pu/piece
8363ZN5-L	gloss chrome	6/8/10 mm	NIVELLO striker hinge	glass fastening with counter plate, concealed screws with	1/2
8363ZN1-L	matt chrome		with lifting function,	cover cap, mountable in both situations, closed position	
8363ZNPVD22-L	stainless steel optic		glass-glass 180°	adjustable	

MADE
IN
GERMANY

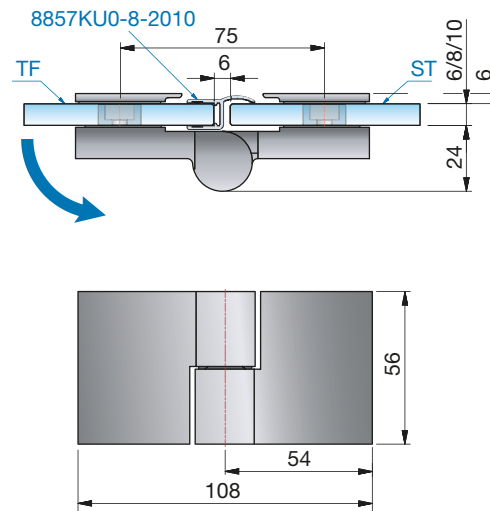
ST = side panel

TF = door panel

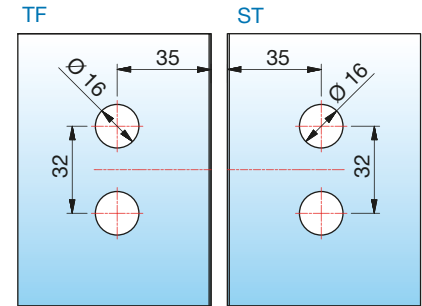


NIVELLO striker hinge – with counter plate

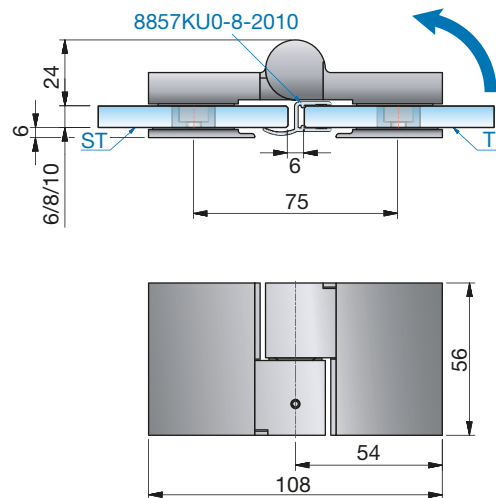
mounted on the right,
opening outwards 180°



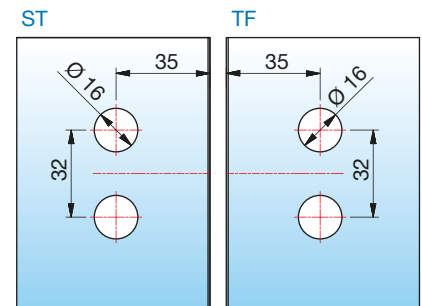
all dimensions/sealing
profiles shown apply to
8 mm glass.



mounted on the left,
opening inwards 180°



all dimensions/sealing
profiles shown apply to
8 mm glass.



article no.	finish	glass thickness	article description	features	pu/piece
8363ZN5-R	gloss chrome	6/8/10 mm	NIVELLO striker hinge	glass fastening with counter plate, concealed screws with	1/2
8363ZN1-R	matt chrome		with lifting function,	cover cap, mountable in both situations, closed position	
8363ZNPVD22-R	stainless steel optic		glass-glass 180°	adjustable	

MADE
IN
GERMANY

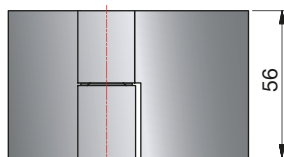
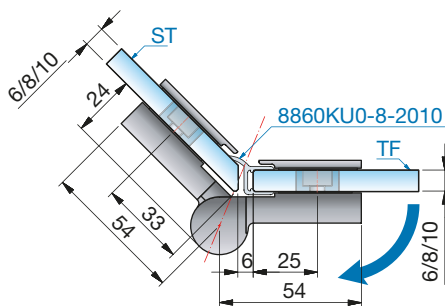
ST = side panel

TF = door panel

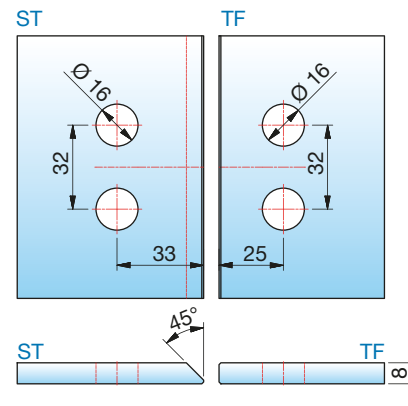
NIVELLO striker hinge – with counter plate



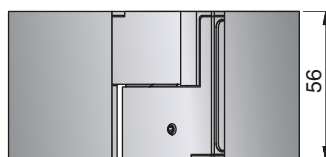
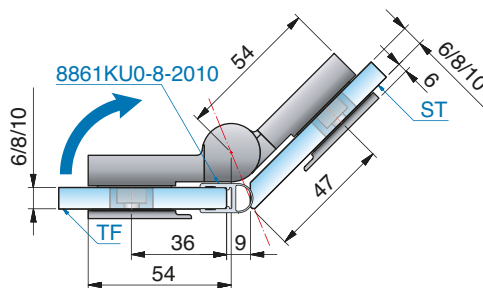
mounted on the left,
opening outwards 180°
(resting position)



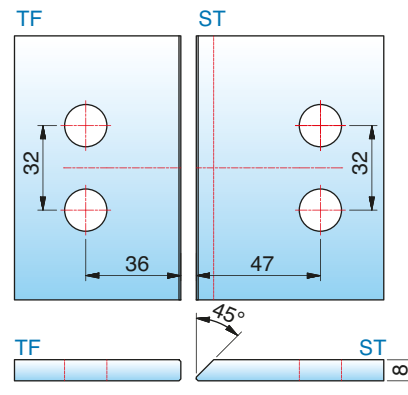
all dimensions/sealing
profiles shown apply to
8 mm glass.



mounted on the right,
opening inwards 135°



all dimensions/sealing
profiles shown apply to
8 mm glass.



article no.	finish	glass thickness	article description	features	pu/piece
8365ZN5-L	gloss chrome	6/8/10 mm	NIVELLO striker hinge	glass fastening with counter plate, concealed screws with,	1/2
8365ZN1-L	matt chrome		with lifting function,	cover cap, mountable in both situations, closed position adjustable	
8365ZNPVD22-L	stainless steel optic		glass-glass 135°		

MADE
IN
GERMANY

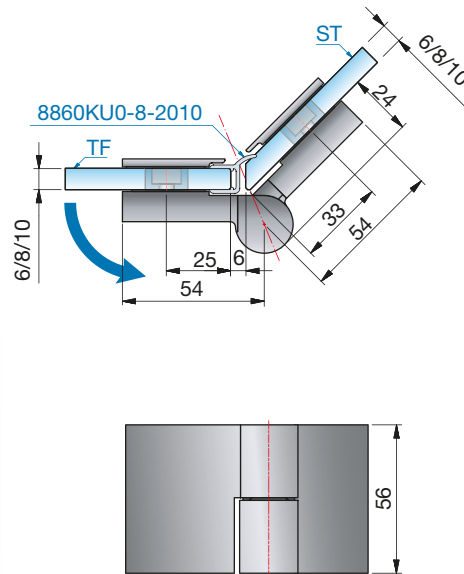
ST = side panel

TF = door panel

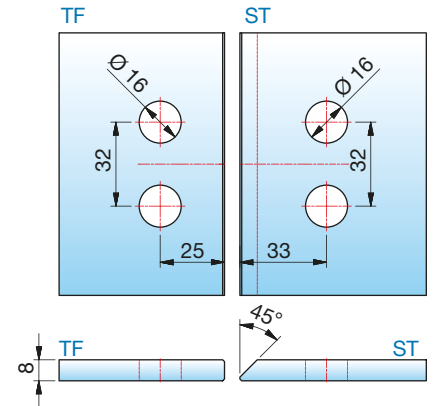


NIVELLO striker hinge – with counter plate

mounted on the right,
opening outwards 180°
(resting position)

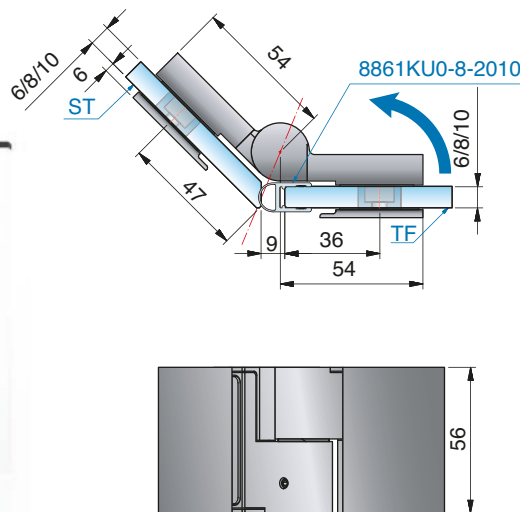


all dimensions/sealing
profiles shown apply to
8 mm glass.

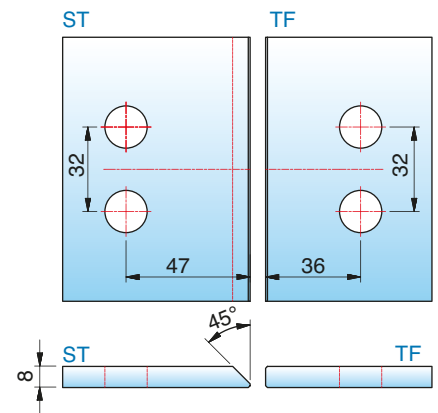


NIVELLO

mounted on the left,
opening inwards 135°



all dimensions/sealing
profiles shown apply to
8 mm glass.



article no.	finish	glass thickness	article description	features	pu/piece
8365ZN5-R	gloss chrome	6/8/10 mm	NIVELLO striker hinge	glass fastening with counter plate, concealed screws with,	1/2
8365ZN1-R	matt chrome		with lifting function,	cover cap, mountable in both situations, closed position	
8365ZNPVD22-R	stainless steel optic		glass-glass 135°	adjustable	

MADE
IN
GERMANY

ST = side panel

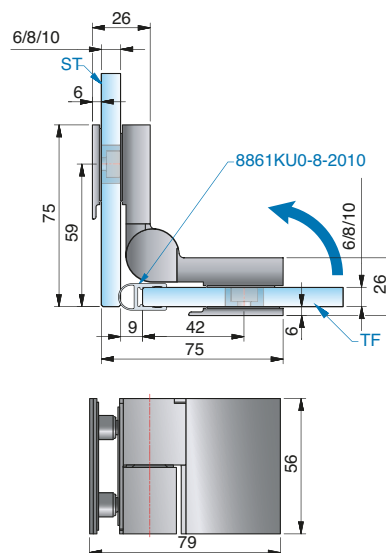
TF = door panel



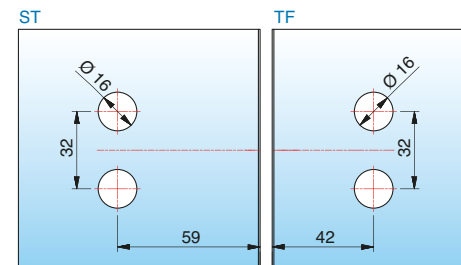
NIVELLO striker hinge – with counter plate



mounted on the left,
opening inwards 90°



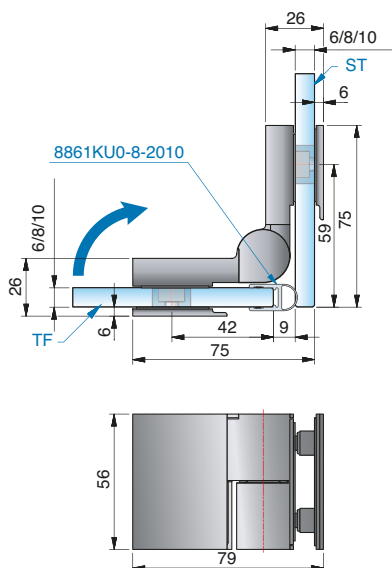
all dimensions/sealing
profiles shown apply to
8 mm glass.



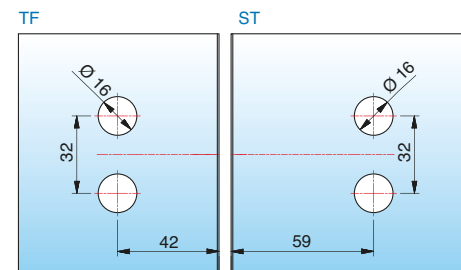
article no.	finish	glass thickness	article description	features	pu/piece
8367ZN5-L	gloss chrome	6/8/10 mm	NIVELLO striker hinge	glass fastening with counter plate, concealed screws with	1/2
8367ZN1-L	matt chrome		with lifting function,	cover cap, closed position adjustable	
8367ZNPVD22-L	stainless steel optic		glass-glass 90°		

■ MADE
■ IN
■ GERMANY

mounted on the right,
opening inwards 90°



all dimensions/sealing
profiles shown apply to
8 mm glass.

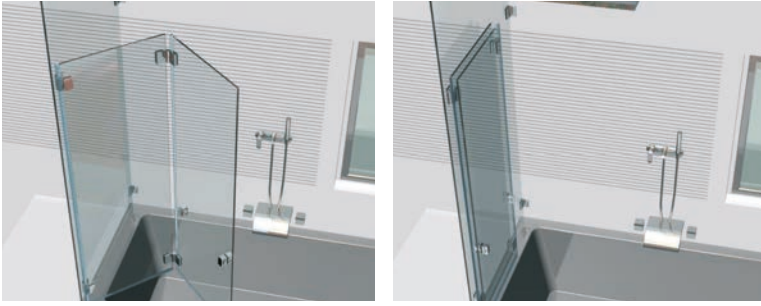


article no.	finish	glass thickness	article description	features	pu/piece
8367ZN5-R	gloss chrome	6/8/10 mm	NIVELLO striker hinge	glass fastening with counter plate, concealed screws with	1/2
8367ZN1-R	matt chrome		with lifting function,	cover cap, closed position adjustable	
8367ZNPVD22-R	stainless steel optic		glass-glass 90°		

■ MADE
■ IN
■ GERMANY

ST = side panel

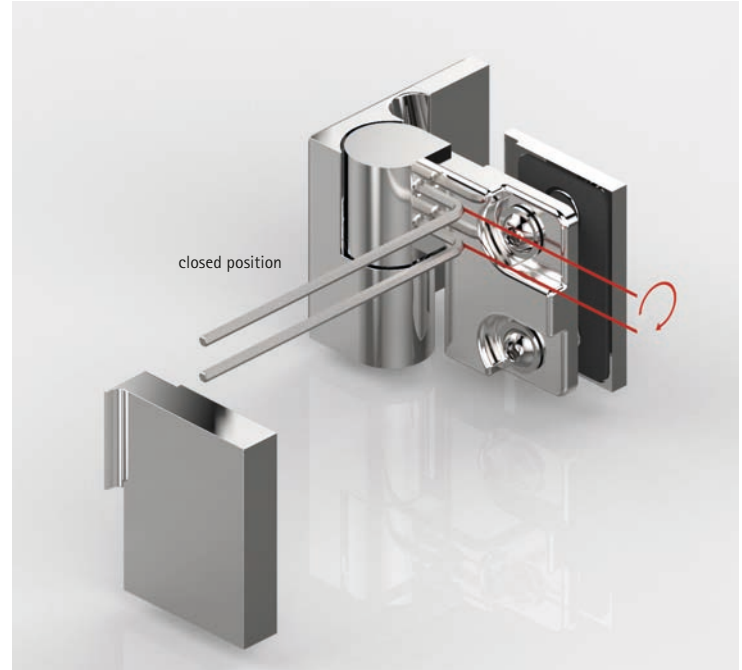
TF = door panel



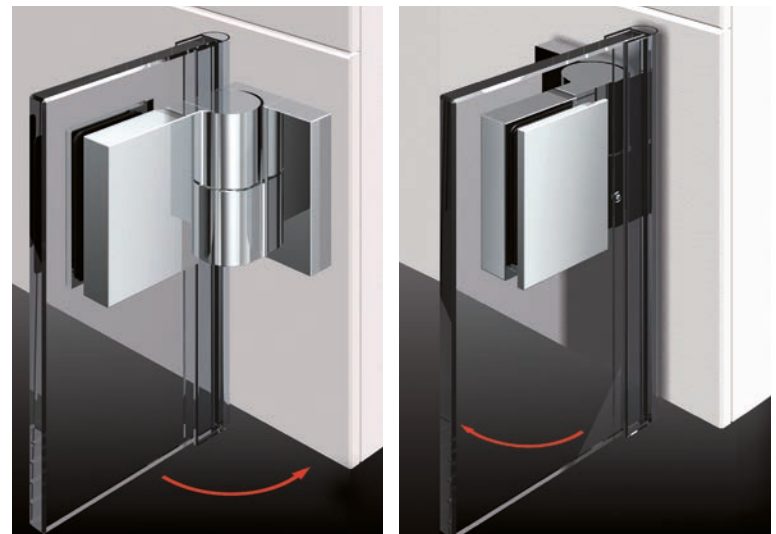
- various folding systems possible



We recommend to install all available striker hinges with sealing profiles to avoid damage to the glass.
Please note that the instruction manual can be found on page 332.



- fully adjustable closed position



- hinges individually usable depending on the situation – mounting plate inside or outside



corresponding angle brackets

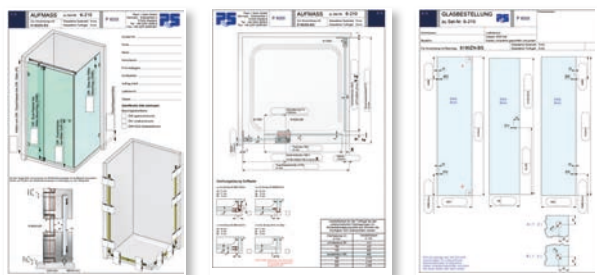
for FLUTURE can be found on page 168.

FLUTURE



our service for you!

On www.pauli.de, you can find many different measurement sheets for all standard installations.



■ MADE
■ IN
■ GERMANY



■ shower door hinge set FLUTURE



FLUTURE - stylish: aesthetic and functional

FLUTURE stands for beauty and functionality, from self-regulated closing on the last few centimeters up to an adjustable closed position. A further speciality of FLUTURE is the clamping on the door panel. This allows a continuously adjustable overlapping, equalizing existing tolerances on site very comfortably.

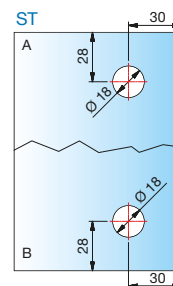
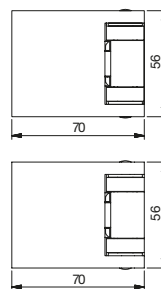
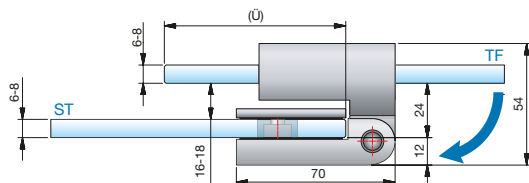
- closed position fully adjustable $\pm 6^\circ$
- quick and easy assembling due to free positioning of the overlap, simple tolerance compensation
- minimal glass work: one hole per fitting on the side panel and no holes needed on the door panel (except for door handle)
- opening angle outwards 180° (according to different sets)
- glass thickness: 6 and 8 mm, combined thicknesses possible
- load capacity (2 hinges): 36 kg
corresponds to a maximum glass door size of 900 x 2000 mm with a glass thickness of 8 mm
- the durability of the hardware has been tested internally according to DIN EN 14428:2015 5.5.



shower door hinge set - FLUTURE



closed position
set screw



glass processing for
6/8 mm glass

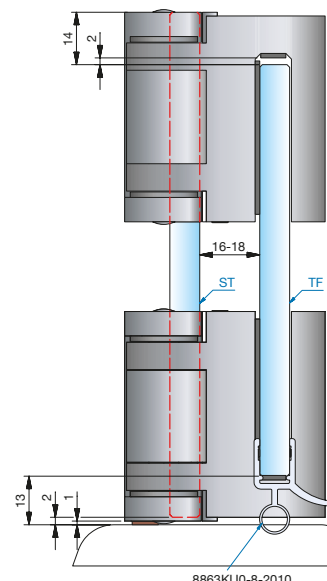
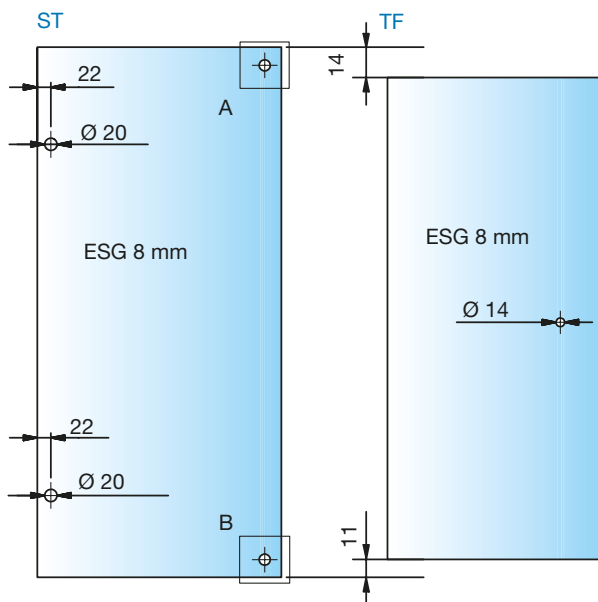
article no.	finish	glass thickness	article description	features	pu/pieces
8190ZN5-BS	gloss chrome	6/8 mm	shower door hinge set FLUTURE	opening outwards 180°	1/2
8190ZN1-BS	matt chrome		overlapping, glass-glass 180°	use with splash guard and water deflector profile 8863	
8190ZNPVD22-BS	stainless steel optic				

MADE
IN
GERMANY

FLUTURE



holes e.g.
for angle bracket
8187ZN



adjustment range for the door panel with different overlaps (Ü).
the minimum overlapping should not be exceeded.

overlap (Ü) in mm	adjustable in mm
minimum 80	± 10
100	± 30
120	± 50
recommended 150	± 80
180	± 110
200	± 130
250	± 180



ST = side panel

TF = door panel

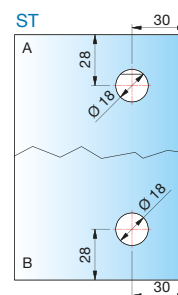
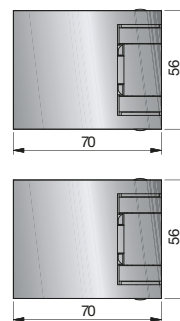
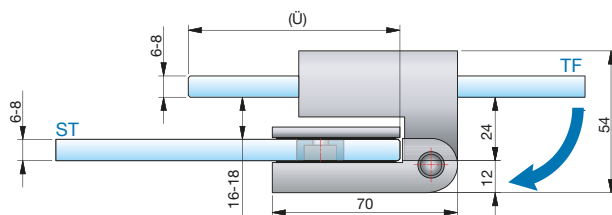
Ü = overlap

ESG = thermally tempered glass

shower door hinge set - FLUTURE



closed position
set screw



glass processing for
6/8 mm glass

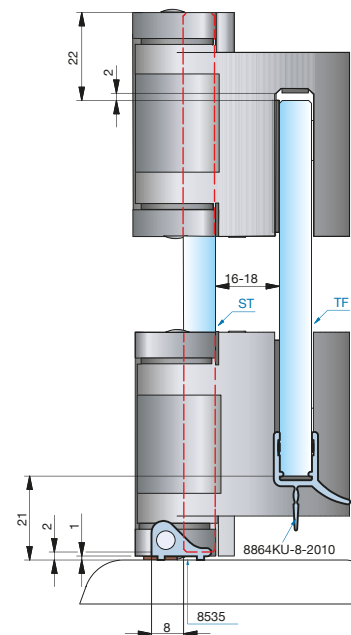
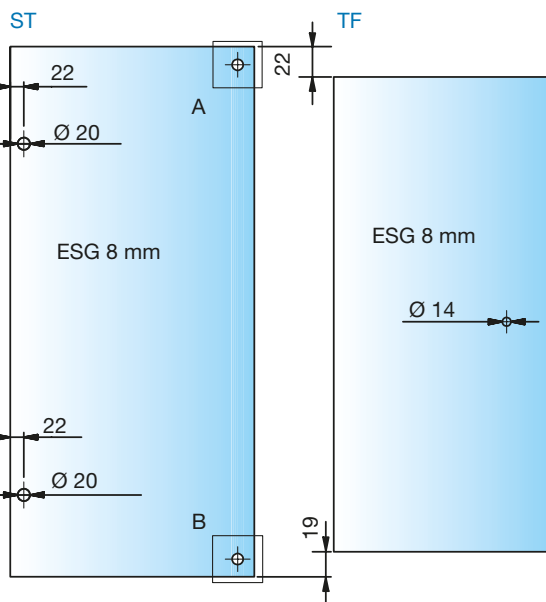
article no.	finish	glass thickness	article description	features	pu/pieces
8192ZN5-BS	gloss chrome	6/8 mm	shower door hinge set FLUTURE	opening outwards 180°	1/2
8192ZN1-BS	matt chrome		overlapping, glass-glass 180°	use with splash guard and water deflector	
8192ZNPVD22-BS	stainless steel optic		for assembling with splash guard		

MADE
IN
GERMANY

FLUTURE



holes e.g.
for angle bracket
8187ZN



adjustment range for the door panel with different overlaps (Ü). the minimum overlapping should not be exceeded.

overlap (Ü) in mm	adjustable in mm	
minimum	80	± 10
	100	± 30
	120	± 50
recommended	150	± 80
	180	± 110
	200	± 130
	250	± 180



ST = side panel

TF = door panel

Ü = overlap



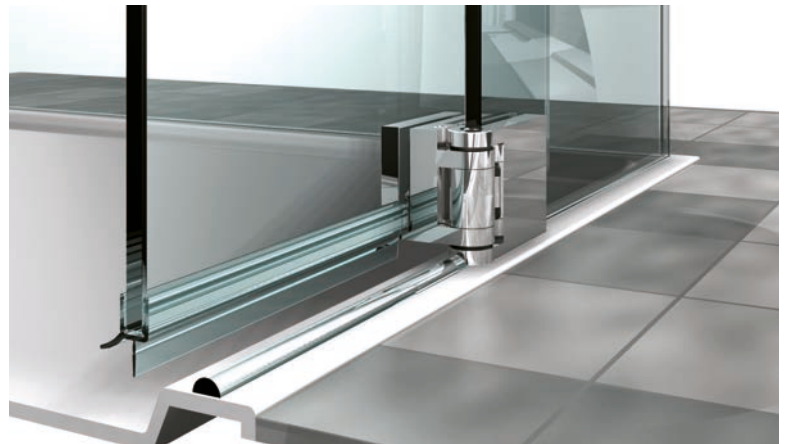
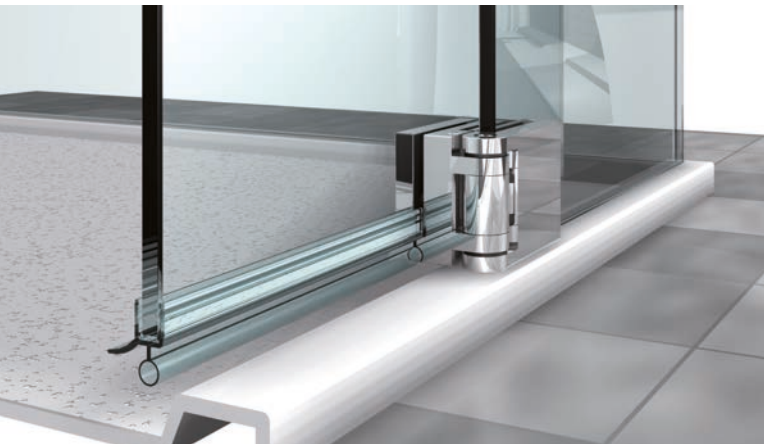
shower door hinge set – FLUTURE



- one sided opening 180° outwards
- easy cleaning due to completely outwards opening door panel

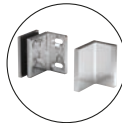


Please note that the instruction manual can be found on page 332.

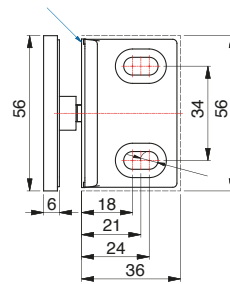


- optimized for constructions with or without splash guard

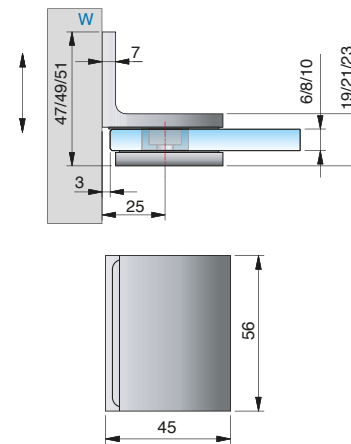
fixed angle bracket NIVELLO - with counter plate



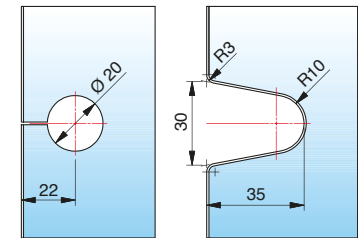
glass reference edge
(inner panel)



adjustable along the
oblong hole



glass processing for 6/8/10 mm glass
hole \varnothing 20 mm or recess R35

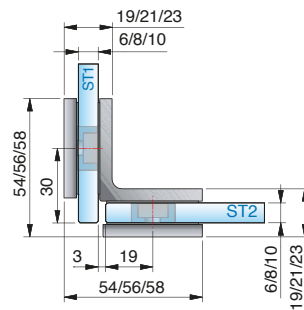
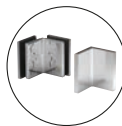


**Black
EDITION**

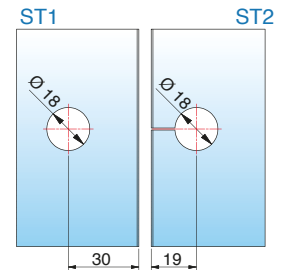
article no.	finish	glass thickness	article description	features	pu/piece
8187ZN5	gloss chrome	6/8/10 mm	angle bracket, glass-wall 90°	wall mounting with oblong hole	1/2
8187ZN1	mat chrome			with cover plate	
8187ZNPVD22	stainless steel optic				
8187ZNPVD35	black matt				
8187ZNPVD36	black gloss				

MADE
IN
GERMANY

NEW



glass processing for 8 mm glass



**Black
EDITION**

article no.	finish	glass thickness	article description	features	pu/piece
8188ZN5	gloss chrome	6/8/10 mm	angle bracket, glass-glass 90°	-	1/2
8188ZN1	mat chrome				
8188ZNPVD22	stainless steel optic				
8188ZNPVD35	black matt				
8188ZNPVD36	black gloss				

MADE
IN
GERMANY

NEW

ST = side panel

TF = door panel

W = wall

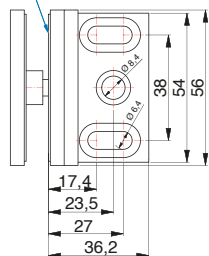




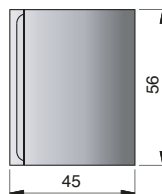
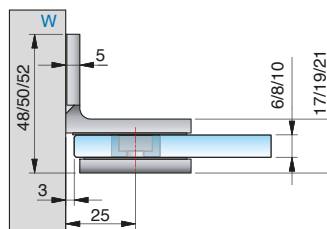
fixed angle bracket NIVELLO - with counter plate



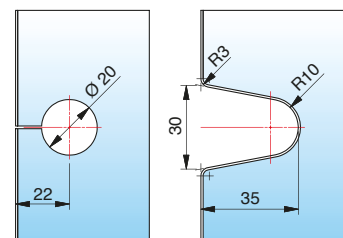
glass reference edge
(inner panel)



adjustable along the
oblong hole



glass processing for 6/8/10 mm glass
hole $\varnothing 20$ mm or recess R35

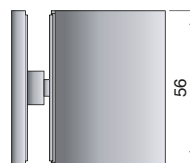
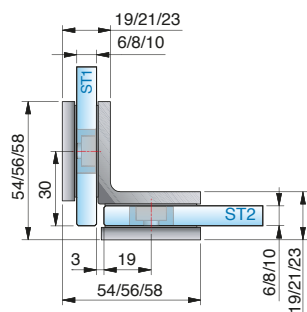


Black
EDITION

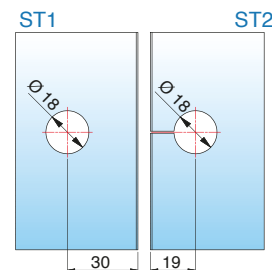
article no.	finish	glass thickness	article description	features	pu/piece
8170ZN5	gloss chrome	6/8/10 mm	angle bracket, glass-wall 90°	wall mounting with oblong hole	1/2
8170ZN1	matt chrome			with cover plate	
8170ZNPVD22	stainless steel optic				
8170ZNPVD35	black matt				

NEW

MADE
IN
GERMANY



glass processing for 8 mm glass



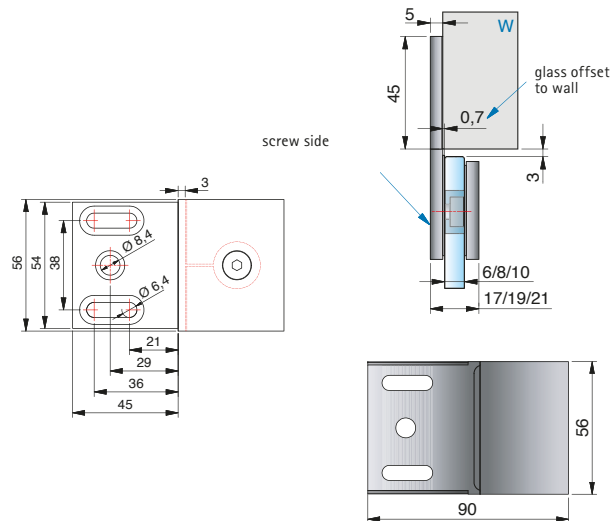
Black
EDITION

article no.	finish	glass thickness	article description	features	pu/piece
8172ZN5	gloss chrome	6/8/10 mm	angle bracket, glass-glass 90°	-	1/2
8172ZN1	matt chrome				
8172ZNPVD22	stainless steel optic				
8172ZNPVD35	black matt				

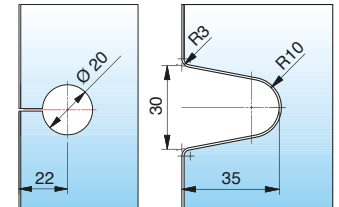
NEW

MADE
IN
GERMANY

fixed angle bracket NIVELLO - with counter plate



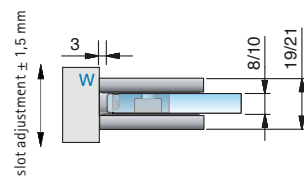
glass processing for 6/8/10 mm glass
hole \varnothing 20 mm or recess R35



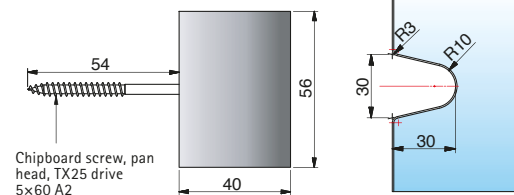
**Black
EDITION**

article no.	finish	glass thickness	article description	features	pu/piece
8174ZN5	gloss chrome	6/8/10 mm	inline connector, glass-wall 180°	wall mounting with oblong hole	1/2
8174ZN1	matt chrome			with cover plate	
8174ZNPVD22	stainless steel optic				
8174ZNPVD35	black mat				

MADE
IN
GERMANY



glass processing for 8/10 mm glass
glass processing: recess R30



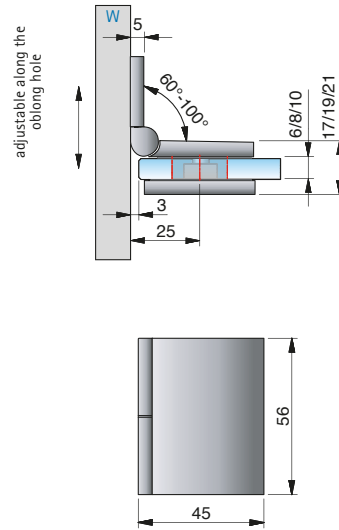
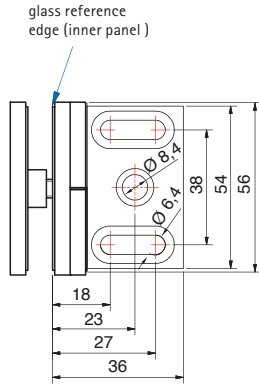
**Black
EDITION**

article no.	finish	glass thickness	article description	features	pu/piece
8178ZN5	gloss chrome	8/10 mm	angle bracket, glass-wall 90°	wall mounting with oblong hole	1/2
8178ZN1	matt chrome			without visible mounting plate	
8178ZNPVD22	stainless steel optic			mounting screw included	
8178ZNPVD35	black mat				

MADE
IN
GERMANY



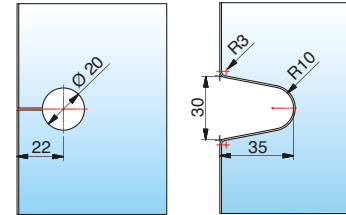
fixed angle bracket NIVELLO - with counter plate



glass processing for 8 mm glass

for other angles, the miter angle and/or the hole distance changes accordingly – see table below

hole \varnothing 20 mm or recess R35



Black
EDITION

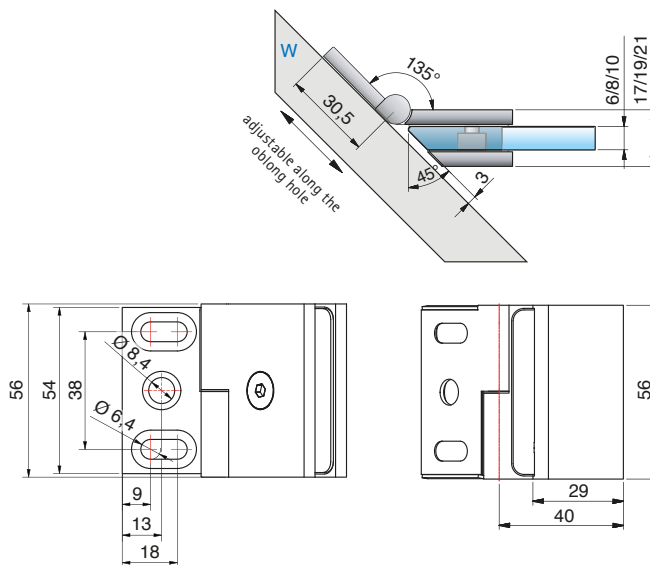
article no.	finish	glass thickness	article description	features	pu/piece
8171ZN5	gloss chrome	6/8/10 mm	angle bracket glass-wall 90°	wall mounting with oblong hole and cover plate, degree of angle is fully adjustable between 60°-100°	1/2
8171ZN1	matt chrome				
8171ZNPVD22	stainless steel optic				
8171ZNPVD35	black mat				

MADE
IN
GERMANY

miter angle and hole dimensions for 8171ZN

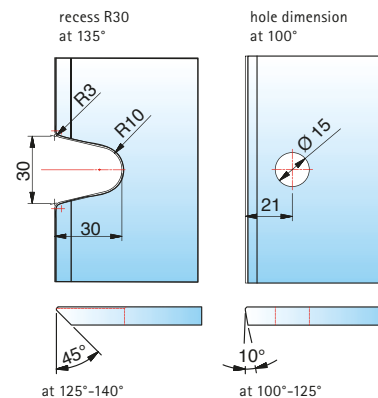
corner	hole dimensions from glass edge	miter angle	remarks
60°	29 mm	30°	-
65°	28 mm	25°	-
70°	26 mm	20°	-
75°	25 mm	15°	hole slotted
80°	24 mm	10°	hole slotted
85°	23 mm	5°	hole slotted
90°	22 mm	without miter	hole slotted
95°	21 mm	5°	hole slotted
100°	21 mm	10°	hole slotted

adjustable angle bracket NIVELLO - with counter plate



glass processing for 8 mm glass

for other angles, the miter angle and/or the hole distance changes accordingly - see table above



**Black
EDITION**

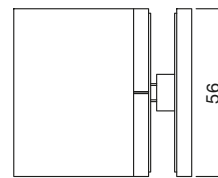
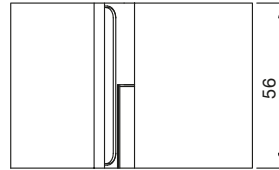
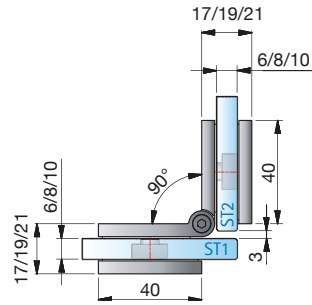
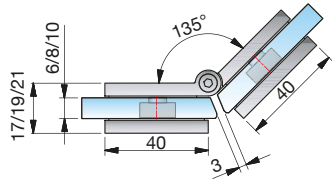
article no.	finish	glass thickness	article description	features	pu/piece
8173ZN5	gloss chrome	6/8/10 mm	angle bracket, glass-wall 135°	wall mounting with oblong hole and cover plate, degree of angle is fully adjustable between 100°-140°	1/2
8173ZN1	matt chrome				
8173ZNPVD22	stainless steel optic				
8173ZNPVD35	black matt				

MADE
IN
GERMANY

miter angle and hole dimensions for 8173ZN

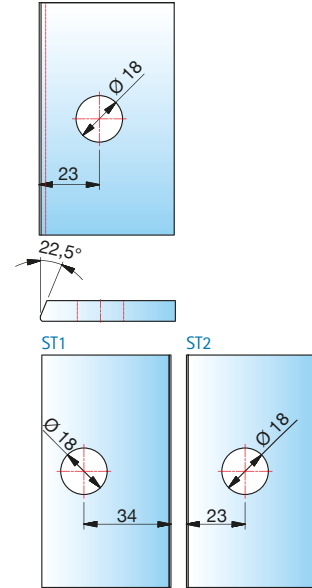
corner	hole dimension from glass edge	miter angle	remarks
100°	21 mm	10°	hole slotted
105°	20 mm	15°	
110°	19 mm	20°	
115°	19 mm	25°	
120°	18 mm	30°	
125°	17 mm	35°	hole slotted o. edge recess R30
130°	-	40°	edge recess R30
135°	-	45°	edge recess R30
140°	-	50°	edge recess R30

adjustable angle bracket NIVELLO - with counter plate



glass processing for 8 mm glass

for other angles, the miter angle and/or the hole distance changes accordingly – see table below.



**Black
EDITION**

article no.	finish	glass thickness	article description	features	pu/piece
8175ZN5	gloss chrome	6/8/10 mm	angle bracket, glass-glass 135°	degree of angle is fully adjustable between 80° - 180°	1/2
8175ZN1	matt chrome				
8175ZNPVD22	stainless steel optic				
8175ZNPVD35	black matt				

MADE
IN
GERMANY

miter angle and hole dimensions for 8175ZN

corner	hole dimensions from glass edge	miter angle	remarks
80°	32 mm	50°	-
85°	31 mm	47,5°	-
90°	30 mm	45°	-
95°	29 mm	42,5°	-
100°	28 mm	40°	hole slotted
105°	27 mm	37,5°	hole slotted
110°	26 mm	35°	hole slotted
115°	26 mm	32,5°	hole slotted
120°	25 mm	30°	hole slotted
125°	24 mm	27,5°	hole slotted
130°	24 mm	25°	hole slotted

miter angle and hole dimensions for 8175ZN

corner	hole dimensions from glass edge	miter angle	remarks
135°	23 mm	22,5°	hole slotted
140°	23 mm	20°	hole slotted
145°	22 mm	17,5°	hole slotted
150°	22 mm	15°	hole slotted
155°	21 mm	12,5°	hole slotted
160°	21 mm	10°	hole slotted
165°	20 mm	7,5°	hole slotted
170°	20 mm	5°	hole slotted
175°	19 mm	0°	hole slotted
180°	19 mm	0°	hole slotted



corresponding angle brackets

for TURA can be found on page 186.

TURA

■ MADE
■ IN
■ GERMANY



TURA

■ TURA heavy-duty striker door hinge



fantastic solutions for large all-glass applications

The trend in light-flooded rooms and spacious bathrooms and also bath landscapes, continues unabated. The result is that all-glass doors must have a higher load capacity due to their larger dimensions and greater weight. Pauli + Sohn has developed the special heavy-duty hinge "TURA" for this requirement.

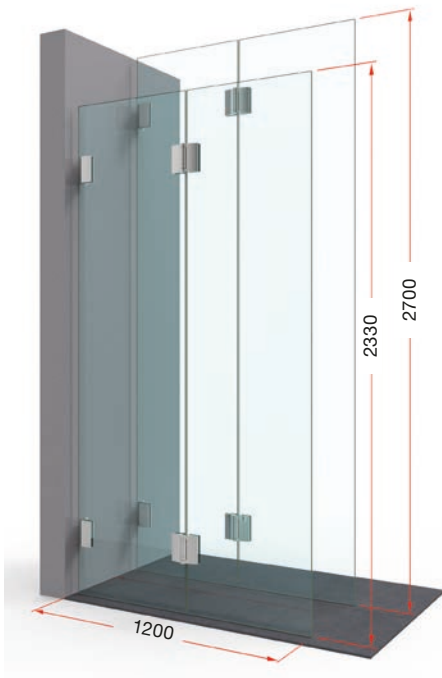
- load capacity (2 hinges):
 - max. permissible weight: 70 kg
 - max. door panel width: 1200 mm
 - max door panel height: 2700 mm
- striker door hinge: glass-wall / glass-glass
- matching corner brackets
- fully adjustable closed position
- self-closing during the last 15 - 20°
- hinge height 122 mm
- continuous seal
- areas of application: wellness area, barrier-free bathrooms, public projects



oversizes with folding systems without risk of over opening

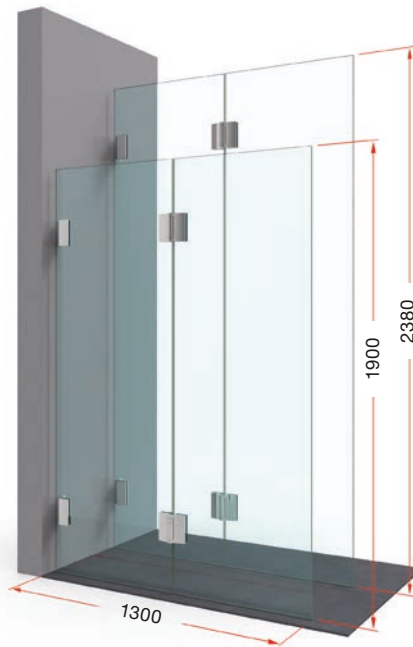
load capacity for system width
1200 mm: 70 kg

corresponds to a door height of 2330 mm with 10 mm glass
corresponds to a door height of 2700 mm with 8 mm glass



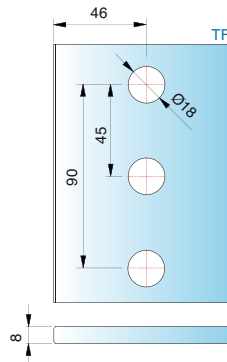
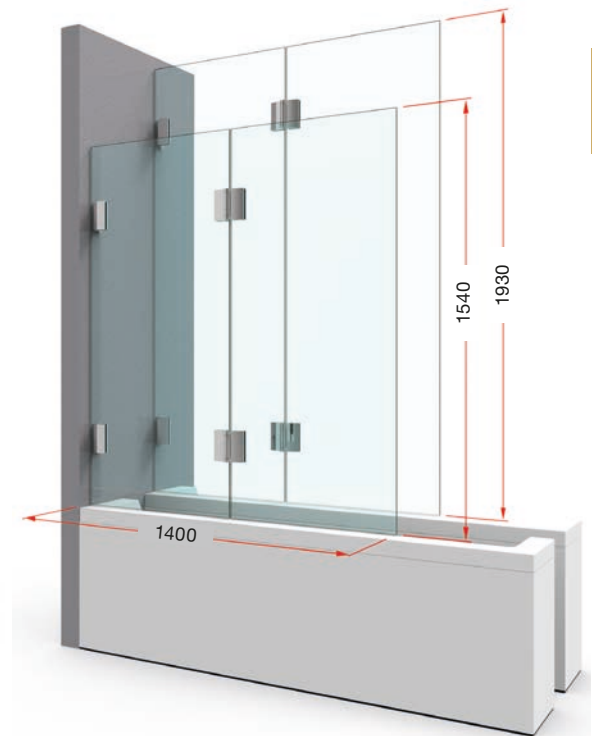
load capacity for system width
1300 mm: 62 kg

corresponds to a door height of 1900 mm with 10 mm glass
corresponds to a door height of 2380 mm with 8 mm glass



load capacity for system width
1400 mm: 54 kg

corresponds to a door height of 1540 mm with 10 mm glass
corresponds to a door height of 1930 mm with 8 mm glass



- three holes in the glass allow for higher load capacity
- for wall mounting we offer extra long DIN9135 screws.



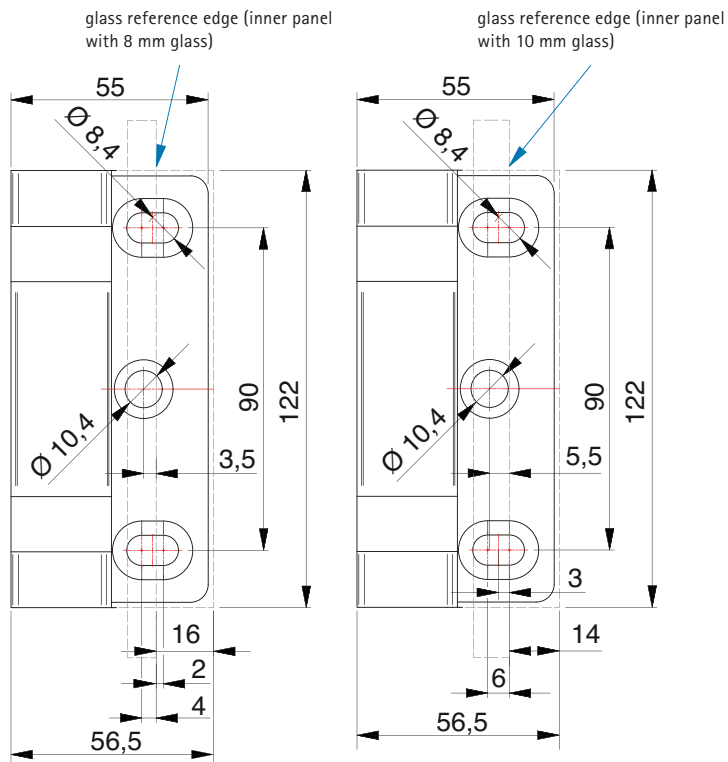
We recommend to install all available striker hinges with sealing profiles to avoid damage to the glass. Please note that the instruction manual can be found on page 332.



dimensions wall mounting

8962ZN

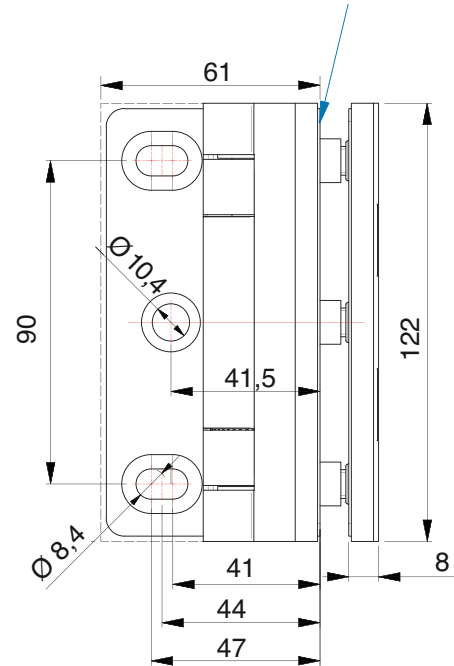
opening outwards



8961ZN

opening outwards/ inwards

glass reference
 glass edge inner panel – wall mounting inside, with 8/10 mm
 glass edge outer panel – wall mounting outside, with 8/10 mm



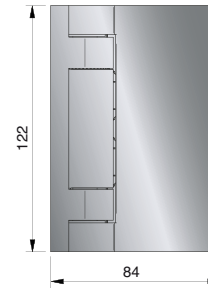
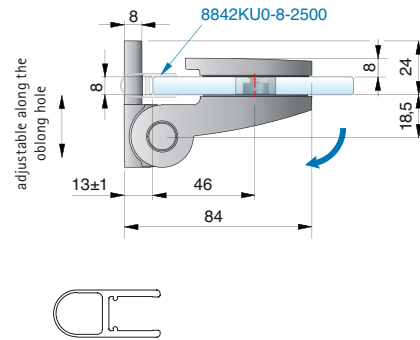


heavy-duty striker door hinge – TURA

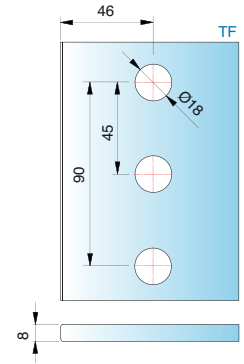
NEW



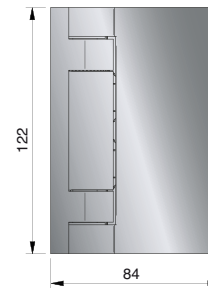
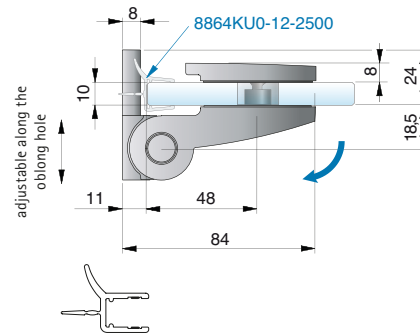
for glass 8 mm



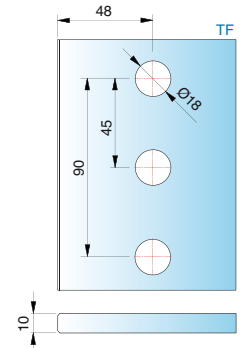
glass processing for 8 mm with sealing profile 8842KU0-8-2500



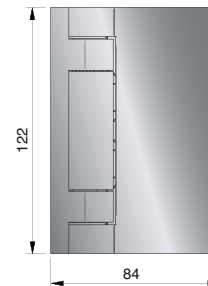
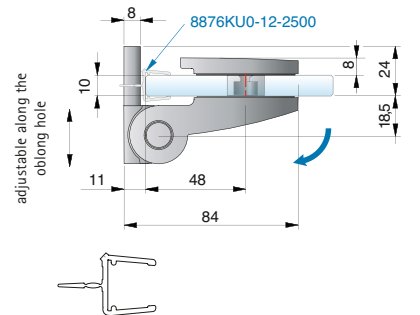
for glass 10 mm



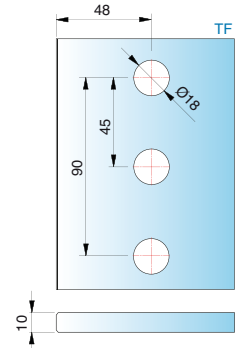
glass processing for 10 mm with sealing profile 8864KU0-12-2500



for glass 10 mm



glass processing for 10 mm with sealing profile 8876KU0-12-2500



article no.	finish	glass thickness	article description	features	pu/pieces
8962ZN5	gloss chrome	8/10/12 mm	TURA heavy-duty striker door hinge	one-sided opening outwards minimum 90°, concealed screws,	1/2
8962ZN1	matt chrome		glass-wall 90°	wall mounting inside with oblong hole,	MADE
8962ZNPVD22	stainless steel optic			closed position adjustable, seal profile notched in hinge area	IN
					GERMANY

ST = side panel

TF = door panel

W = wall

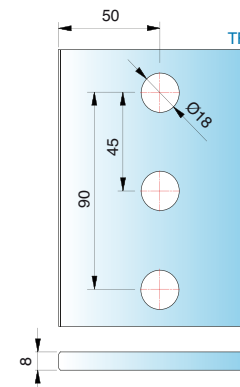
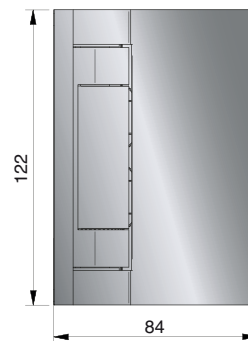
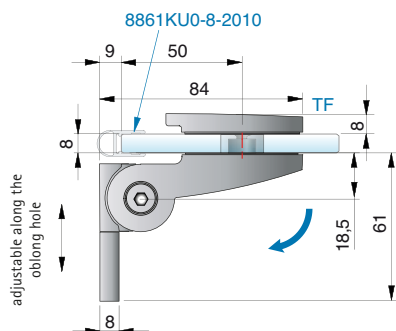
heavy-duty striker door hinge – TURA



NEW

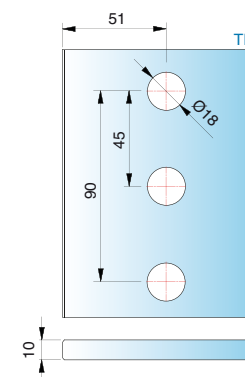
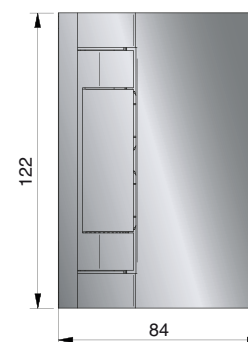
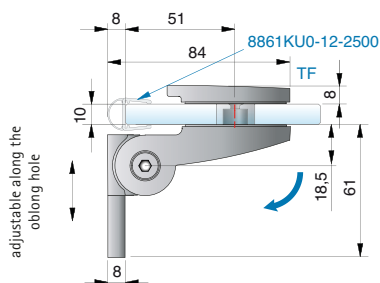
for glass 8 mm

glass processing for 8 mm with sealing profile 8861KU0-8-2010



for glass 10 mm

glass processing for 10 mm with sealing profile 8861KU0-12-2500



article no.	finish	glass thickness	article description	features	pu/pieces
8961ZN5	gloss chrome	8/10/12 mm	TURA heavy-duty striker door hinge	one-sided opening outwards 90°, concealed screws, wall mounting outside with oblong hole, closed position adjustable, seal profile in hinge area continuous	1/2
8961ZN1	matt chrome		glass-wall 90°		
8961ZNPVD22	stainless steel optic				

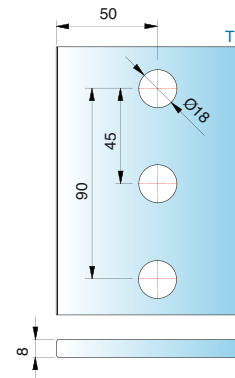
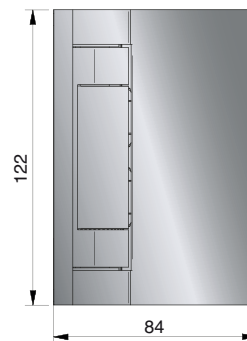
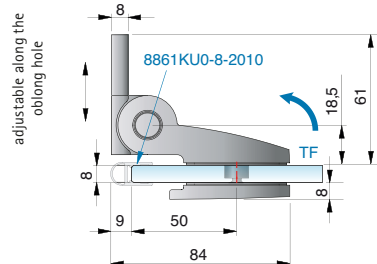
MADE IN GERMANY



heavy-duty striker door hinge – TURA

for glass 8 mm

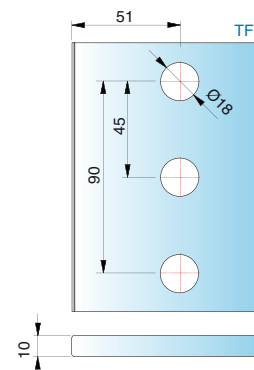
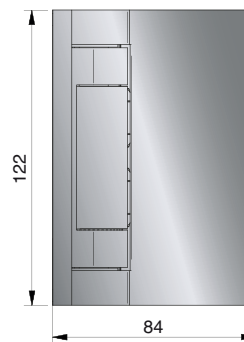
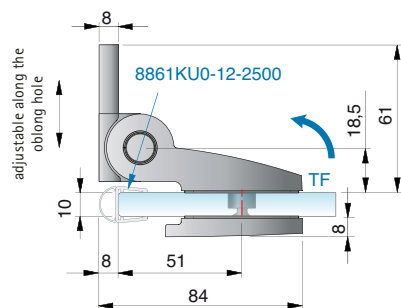
glass processing for 8 mm
with sealing profile
8861KU0-8-2010



TURA

for glass 10 mm

glass processing for 10 mm
with sealing profile
8861KU0-12-2500



article no.	finish	glass thickness	article description	features	pu/pieces
8961ZN5	gloss chrome	8/10/12 mm	TURA heavy-duty striker door hinge	one-sided opening inwards 90°, concealed screws,	1/2
8961ZN1	matt chrome		glass-wall 90°	wall mounting outside with oblong hole,	MADE
8961ZNPVD22	stainless steel optic			closed position adjustable, seal profile in hinge area continuous	IN
					GERMANY

ST = side panel

TF = door panel

W = wall

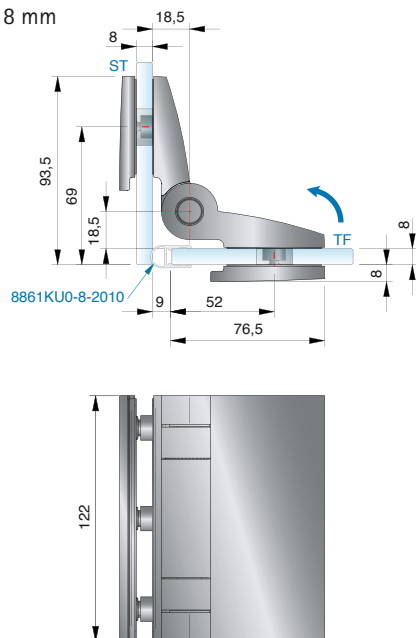
heavy-duty striker door hinge – TURA



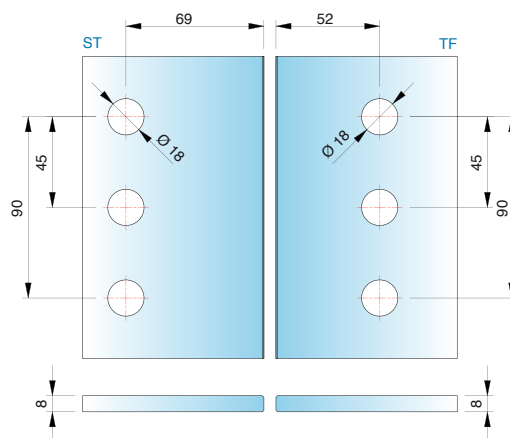
NEW



for glass 8 mm

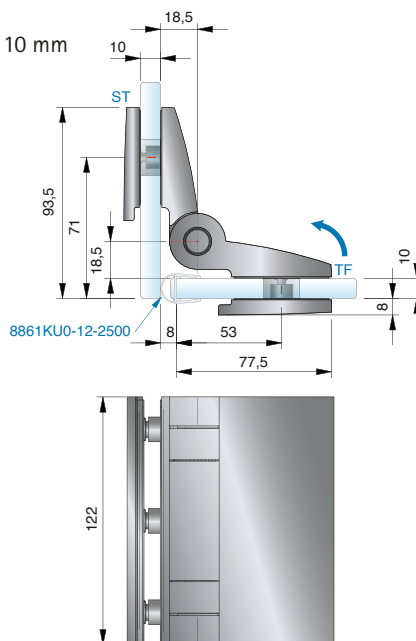


glass processing for 8 mm
with sealing profile 8861KU0-8-2010

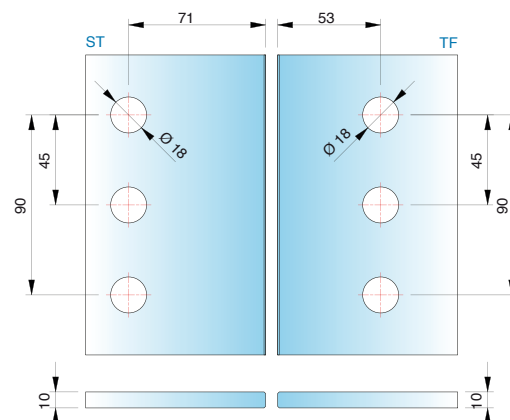


TURA

for glass 10 mm

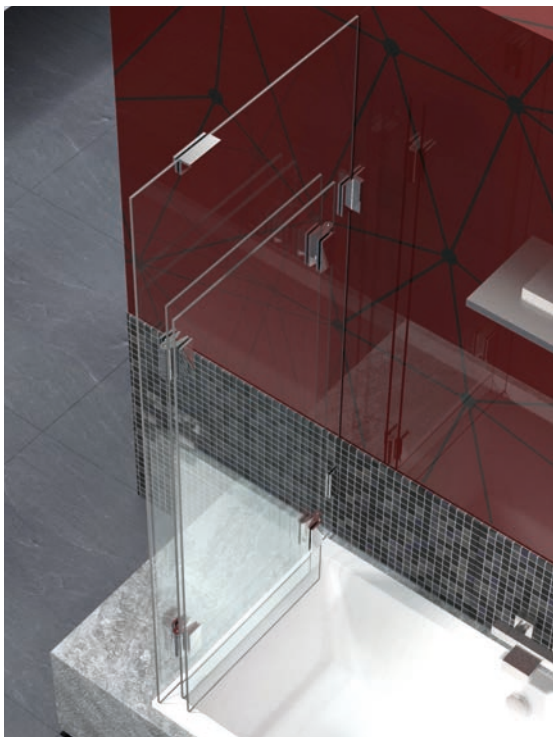


glass processing for 10 mm with
sealing profile 8861KU0-12-2500



article no.	finish	glass thickness	article description	features	pu/pieces
8960ZN5	gloss chrome	8/10/12 mm	TURA heavy-duty striker door hinge	one-sided opening inwards 90°, concealed screws,	1/2
8960ZN1	matt chrome		glass-glass 90°	closed position adjustable, seal profile in hinge area continuous	
8960ZNPVD22	stainless steel optic				

MADE
IN
GERMANY



TURA

General note

- due to the system, a superficial matting may occur in the area of the rollers on the visible surface as a result of micro-scratches.

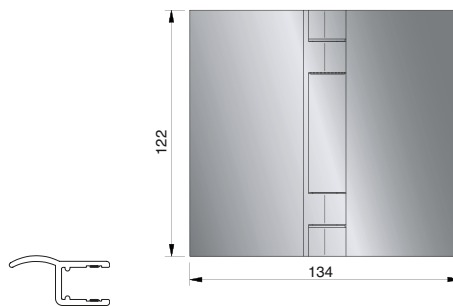
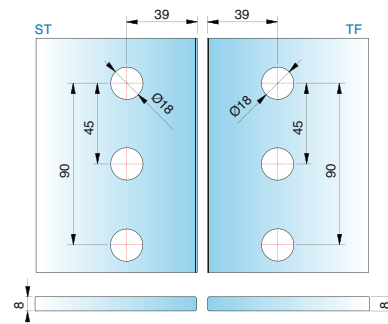
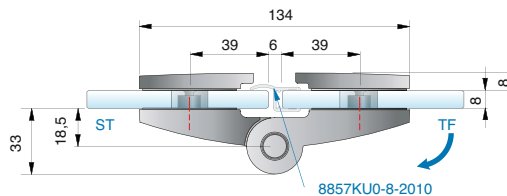
heavy-duty striker door hinge – TURA



NEW

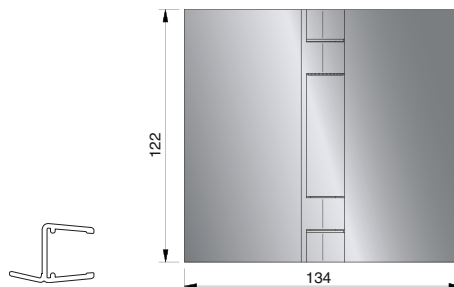
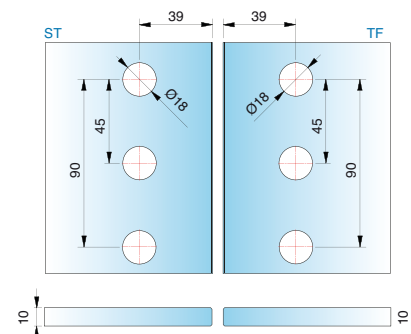
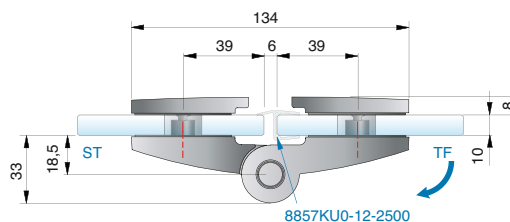
for glass 8 mm

glass processing for 8 mm with
sealing profile 8857KU0-8-2010



for glass 10 mm

glass processing for 10 mm with
sealing profile 8857KU0-12-2500



article no.	finish	glass thickness	article description	features	pu/pieces
8960ZN5	gloss chrome	8/10/12 mm	TURA heavy-duty striker door hinge	one-sided opening out or inwards 180°, concealed screws,	1/2
8960ZN1	matt chrome		glass-glass 180°	closed position adjustable, seal profile in hinge area continuous	
8960ZNPVD22	stainless steel optic				

MADE
IN
GERMANY

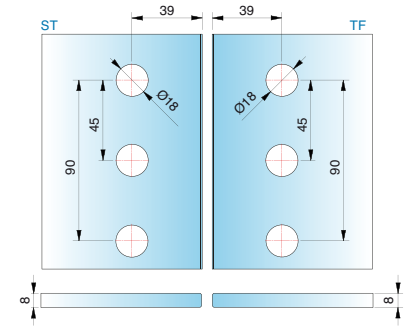
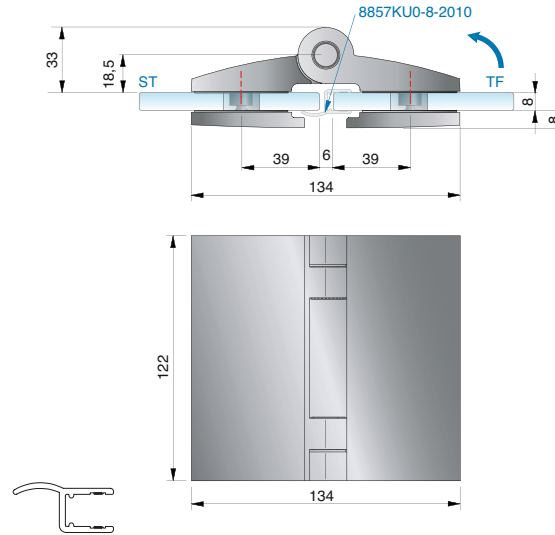


heavy-duty striker door hinge – TURA

NEW

for glass 8 mm

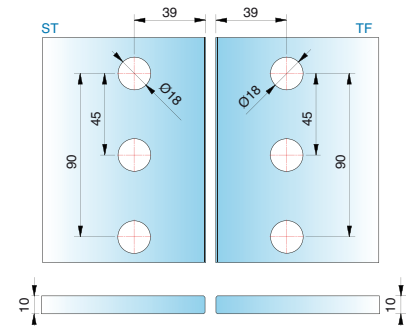
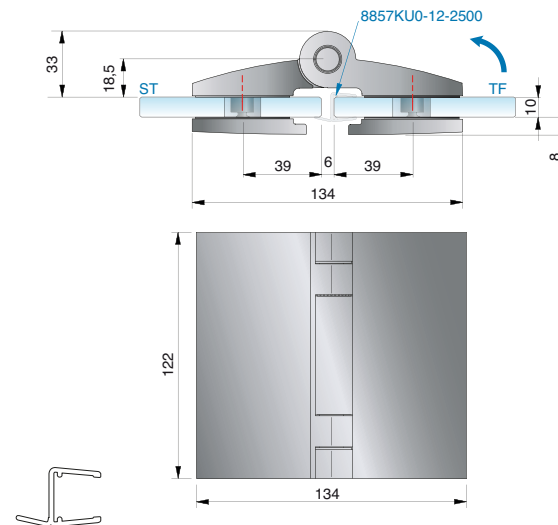
glass processing for 8 mm with sealing profile 8857KU0-8-2010



TURA

for glass 10 mm

glass processing for 10 mm with sealing profile 857KU0-12-2500



article no.	finish	glass thickness	article description	features	pu/pieces
8960ZN5	gloss chrome	8/10/12 mm	TURA heavy-duty striker door hinge	one-sided opening out or inwards 180°, concealed screws,	1/2
8960ZN1	matt chrome		glass-glass 180°	closed position adjustable, seal profile in hinge area continuous	
8960ZNPVD22	stainless steel optic				

MADE
IN
GERMANY

ST = side panel

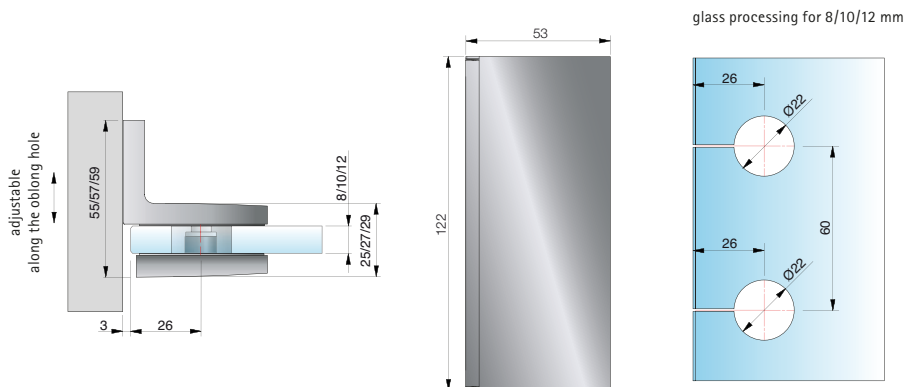
TF = door panel

W = wall

angle bracket – TURA



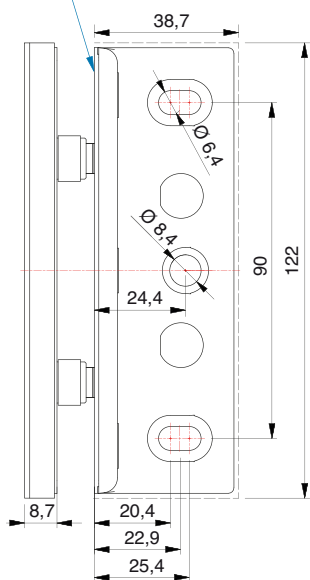
NEW



article no.	finish	glass thickness	article description	features	pu/pieces
8968ZN5	gloss chrome	8/10/12 mm	angle bracket TURA	concealed screws, wall mount	1/2
8968ZN1	matt chrome		glass-wall 90°	with oblong hole adjustment	
8968ZNPVD22	stainless steel optic				

MADE
IN
GERMANY

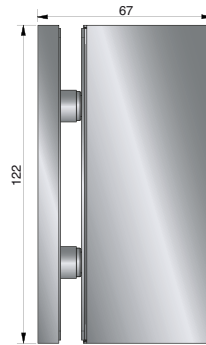
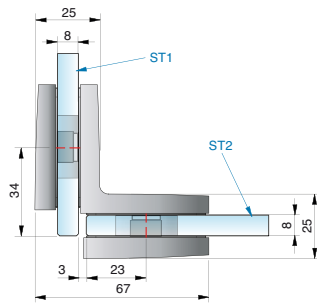
glass reference edge (inner panel with 8/10/12 mm glass)



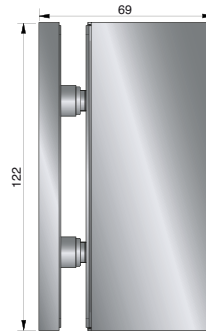
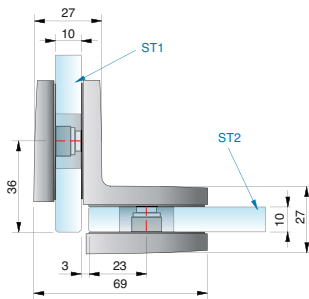
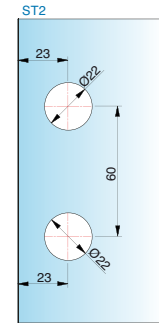
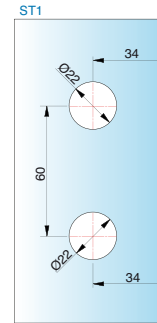


angle bracket – TURA

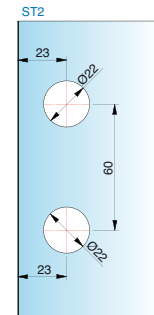
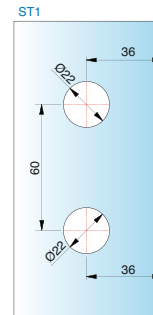
NEW



glass processing for 8 mm



glass processing for 10 mm

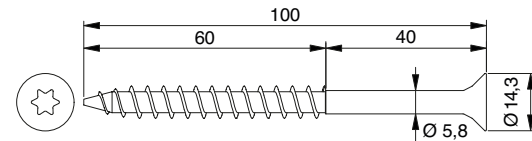
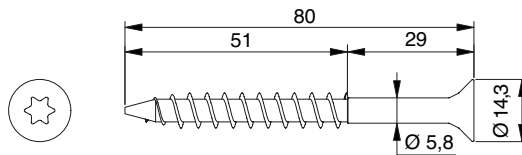


article no.	finish	glass thickness	article description	features	pu/pieces
8969ZN5	gloss chrome	8/10/12 mm	angle bracket TURA	concealed screws	1/2
8969ZN1	matt chrome		glass-glass 90°		
8969ZNPVD22	stainless steel optic				

MADE IN GERMANY

accessories – screws

chipboard screw DIN9135



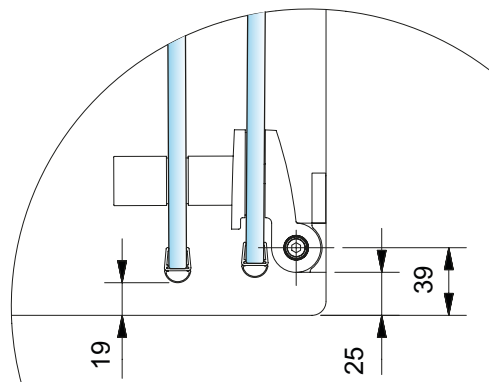
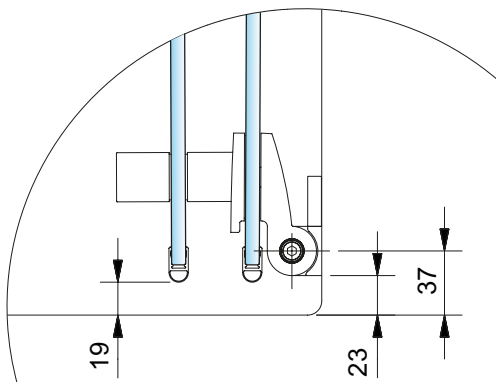
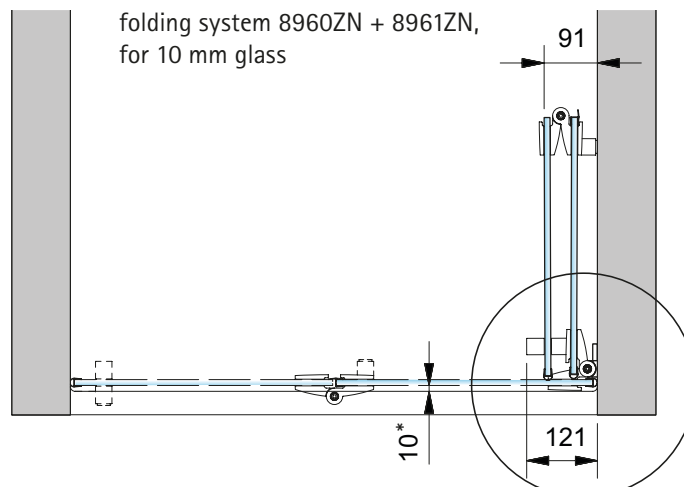
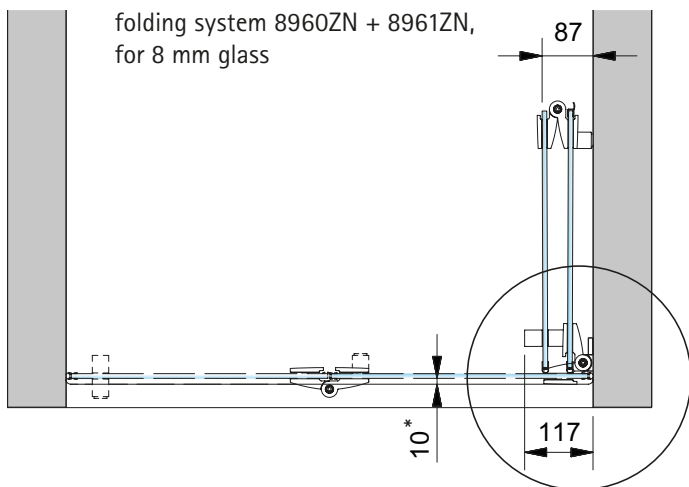
MADE IN GERMANY

article no.	features
Z100VA	countersink head, TX40 drive 8x80 A2

article no.	features
Z101VA	countersink head, TX40 drive 8x100



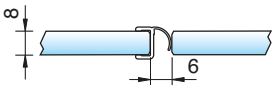
dimensions of folding system – glass-wall



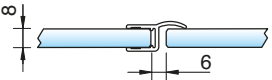
* tray offset dimension

■ we recommend for the folding systems the sealing profile

8865KU0



or 8857KU0.



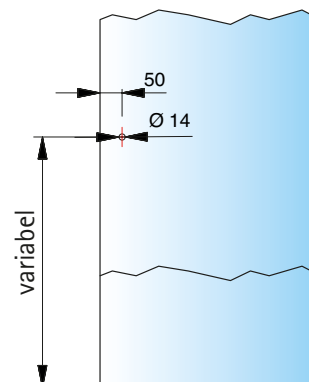
drill hole spacing for:



8273MS



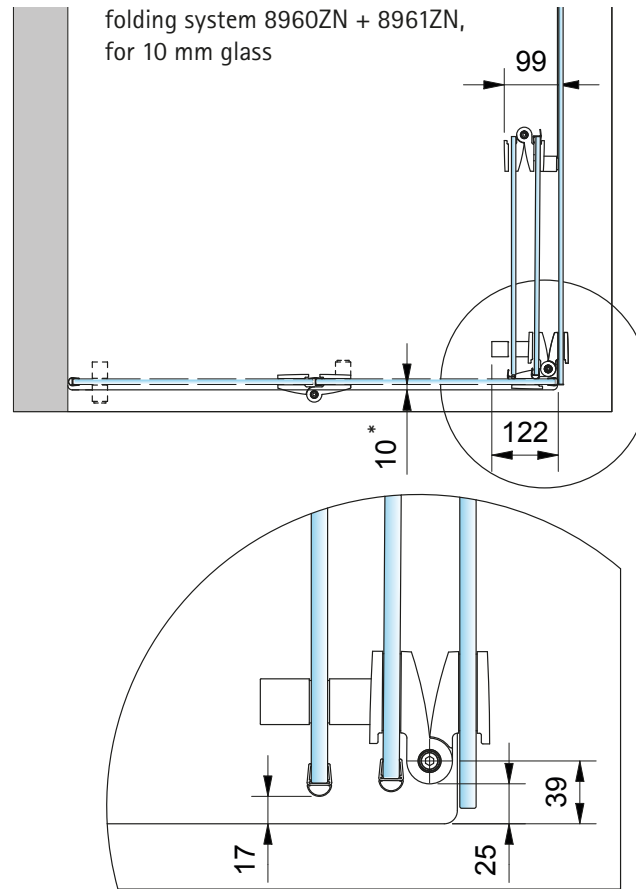
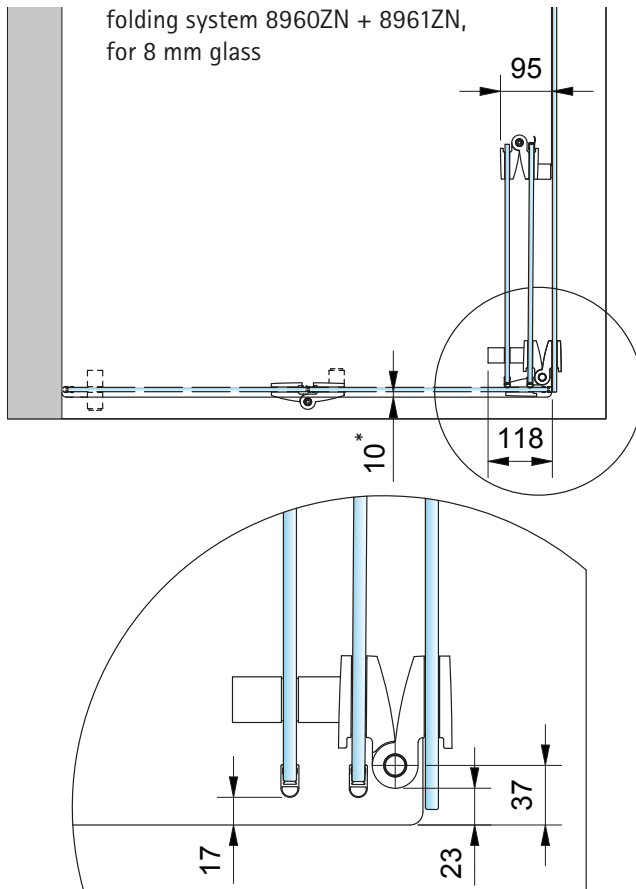
8271MS



■ for more information about the knobs 8271 and 8273 see page 262.

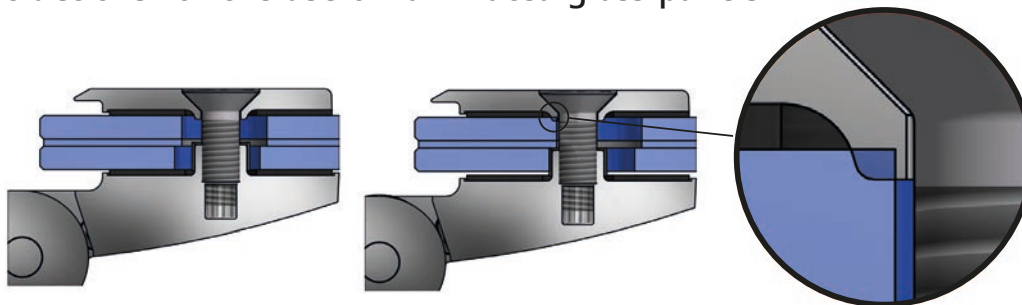


dimensions of folding system – glass-glass

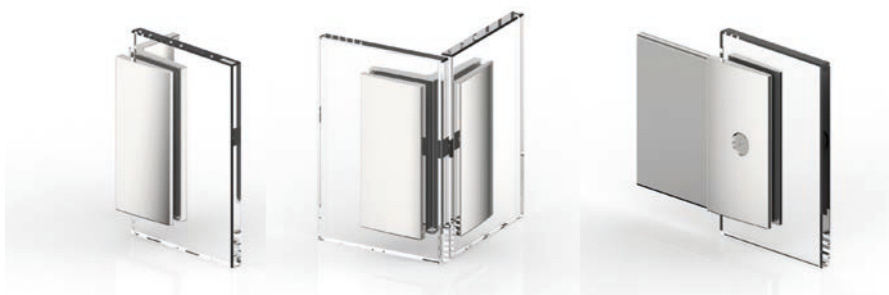


* tray offset dimension

installation instructions for the use of laminated glass panels



- due to the possible offset with laminated safety glass panels, it is essential to ensure that the counter plate is mounted centrally in the glass hole. Note: Incorrect installation can lead to glass breakage!



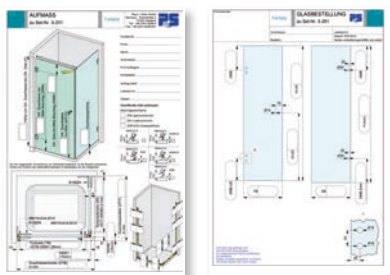
corresponding angle brackets

for FARFALLA can be found on page 210.



our service for you!

On www.pauli.de, you can find many different measurement sheets for all standard installations.



■ MADE
■ IN
■ GERMANY



FARFALLA

■ shower door hinge FARFALLA



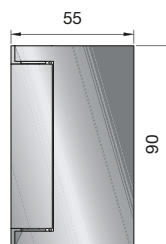
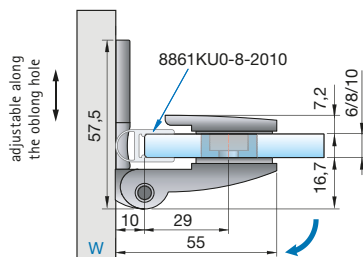
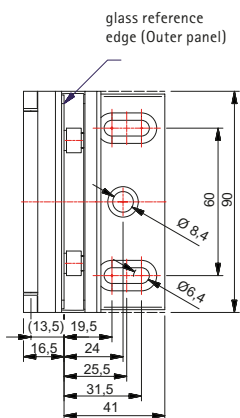
FARFALLA – versatile and timeless

This shower door hinge – which can be opened outwards or inwards one-sided – offers manifold possibilities. It is possible to create more than 50 different shower types, for example the complete folding of a glass segment for bathtub situations. The shower door seal ensures the highest degree of water retention. All wall mounts include cover plates and therefore the screws are concealed.

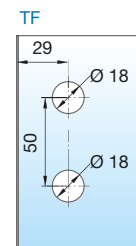
- concealed screws due to cover plates
- door hinge opens outwards or inwards in one direction
- assembly with full-length sealing profile possible
- the hinge axis is positioned outside of the glass door so that the glass segments can also be folded completely
- glass thickness: 6, 8 und 10 mm
- load capacity (2 hinges): 40kg corresponding to a glass door of 1000 x 2000 mm with glass thickness of 8mm
- the durability of the hardware has been tested internally according to DIN EN 14428:2015 5.5.



shower door hinge – FARFALLA



glass processing for 8 mm glass

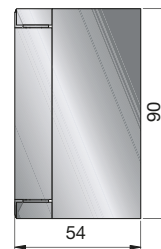
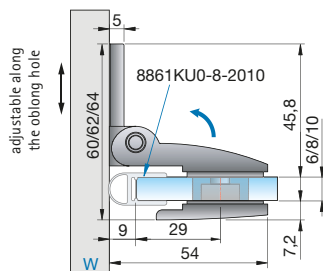
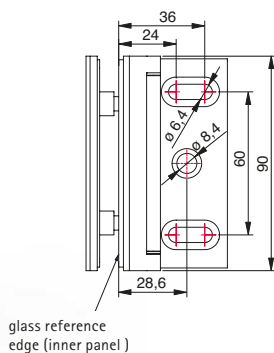


Black
EDITION

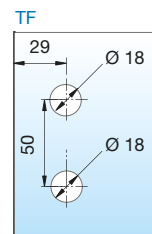
article no.	finish	glass thickness	article description	features	pu/pieces
8128ZN5	gloss chrome	6/8/10 mm	shower door hinge FARFALLA	opening outwards 90°, wall mount adjustable with the notch, comes with cover plate, full-length sealing profile	1/2
8128ZN1	matt chrome		glass-wall, 90°	concealed screws due to cover plates	
8128ZNPVD22	stainless steel optic				
8128ZN35	RAL9005 black matt				
8128ZN36	RAL9005 black gloss				

MADE
IN
GERMANY

FARFALLA



glass processing for 8 mm glass



Black
EDITION

article no.	finish	glass thickness	article description	features	pu/pieces
8120ZN5	gloss chrome	6/8/10 mm	shower door hinge FARFALLA	opening inward 90°, wall mount adjustable along the oblong hole, comes with cover plate, full-length sealing profile	1/2
8120ZN1	matt chrome		glass-wall, 90°	concealed screws due to cover plates	
8120ZNPVD22	stainless steel optic				
8120ZN35	RAL9005 black matt				
8120ZN36	RAL9005 black gloss				

MADE
IN
GERMANY

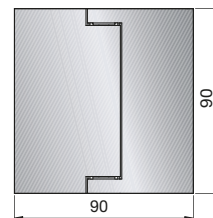
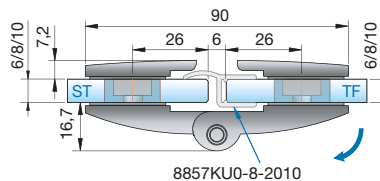
ST = side panel

TF = door panel

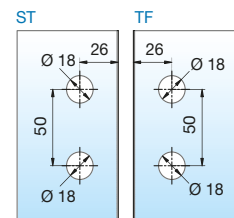
W = wall



shower door hinge – FARFALLA



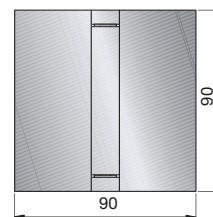
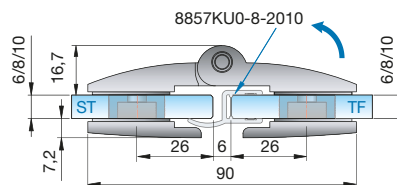
glass processing for 8 mm glass



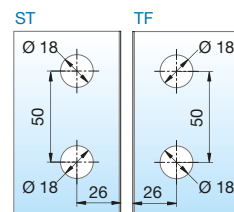
**Black
EDITION**

article no.	finish	glass thickness	article description	features	pu/pieces
8122ZN5	gloss chrome	6/8/10 mm	shower door hinge FARFALLA	opening outwards 180°,	1/2
8122ZN1	matt chrome		glass-glass, 180°	full-length sealing profile	
8122ZNPVD22	stainless steel optic			concealed screws due to cover plates	
8122ZN35	RAL9005 black matt				
8122ZN36	RAL9005 black gloss				

MADE
IN
GERMANY



glass processing for 8 mm glass



**Black
EDITION**

article no.	finish	glass thickness	article description	features	pu/pieces
8124ZN5	gloss chrome	6/8/10 mm	shower door hinge FARFALLA	opening inward 180°,	1/2
8124ZN1	matt chrome		glass-glass, 180°	full-length sealing profile	
8124ZNPVD22	stainless steel optic			concealed screws due to cover plates	
8124ZN35	RAL9005 black matt				
8124ZN36	RAL9005 black gloss				

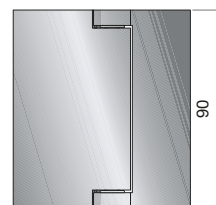
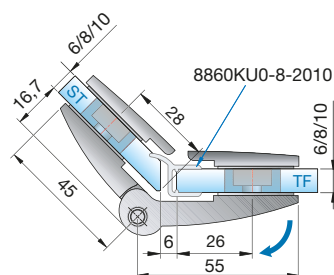
MADE
IN
GERMANY

ST = side panel

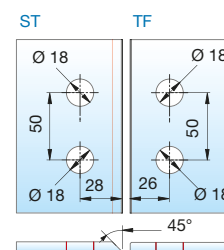
TF = door panel



shower door hinge – FARFALLA



glass processing for 8 mm glass

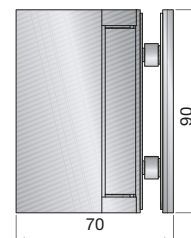
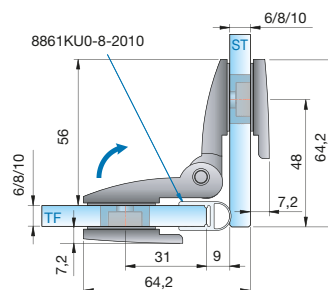
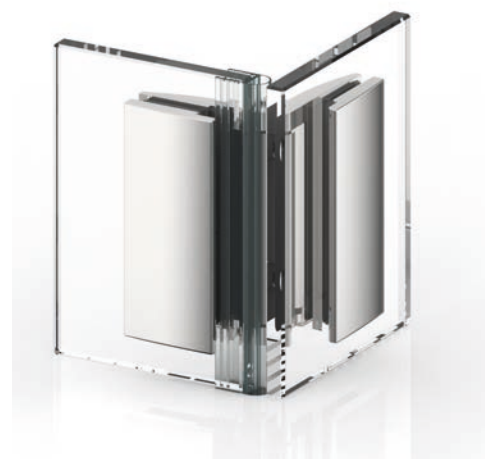


Black
EDITION

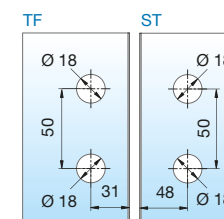
FARFALLA

article no.	finish	glass thickness	article description	features	pu/pieces
8126ZN5	gloss chrome	6/8/10 mm	shower door hinge FARFALLA	opening outwards 200°,	1/2
8126ZN1	matt chrome		glass-glass, 135°	full-length sealing profile	
8126ZNPVD22	stainless steel optic				
8126ZN35	RAL9005 black matt				
8126ZN36	RAL9005 black gloss				

MADE
IN
GERMANY



glass processing for 8 mm glass



Black
EDITION

article no.	finish	glass thickness	article description	features	pu/pieces
8124ZN5	gloss chrome	6/8/10 mm	shower door hinge FARFALLA	opening inwards 90°,	1/2
8124ZN1	matt chrome		glass-glass, 90°	full-length sealing profile	
8124ZNPVD22	stainless steel optic				
8124ZN35	RAL9005 black matt				
8124ZN36	RAL9005 black gloss				

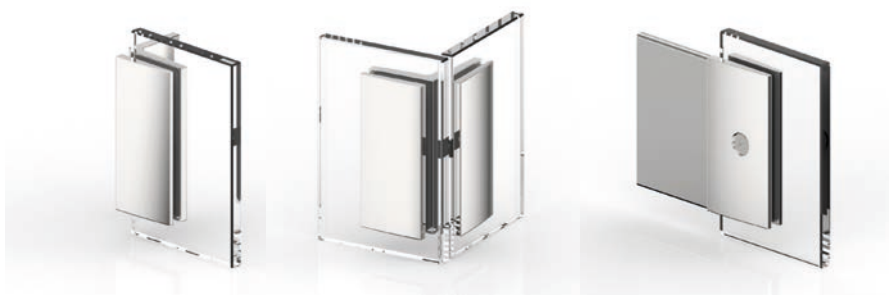
MADE
IN
GERMANY

ST = side panel

TF = door panel



We recommend to install all available striker hinges with sealing profiles to avoid damage to the glass. Please note that the instruction manual can be found on page 332.



corresponding angle brackets

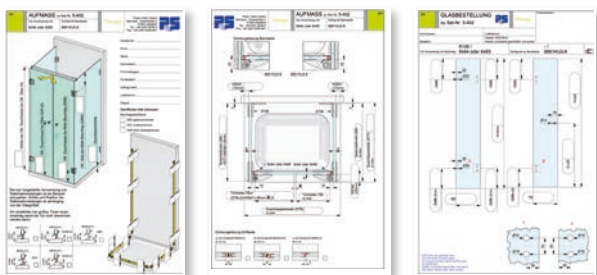
for PILLANGO can be found on page 210.

PILLANGO



our service for you!

On www.pauli.de, you can find many different measurement sheets for all standard installations.



■ MADE
■ IN
■ GERMANY



■ shower door hinge PILLANGO



PILLANGO – reliable: high-performance

Brilliant clarity and a multifaceted design – that is what the one sided opening shower hinge PILLANGO stands for.

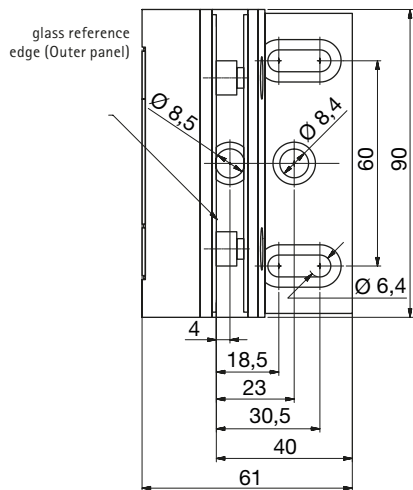
Its innovative spring technology allows an individual adjustment of the clamping force and with that the closing force and the lock control of the PILLANGO shower door hinge. PILLANGO is available with a dual spring technology for light weight doors and a four spring technology for heavy weight doors.

- spring technology – choose between dual spring for light doors and quadruple springs for medium and heavy doors
- self-closing during the last 15 – 20°
- fully adjustable closed position
- full-length sealing profile within the area of the hinge
- simple glass handling as only holes are necessary
- glass thickness: 6, 8 and 10 mm
- loading capacity (2 hinges): 40 kg
corresponds to a maximum glass door size of 1000 x 2000 mm with a glass thickness of 8 mm
- the durability of the hardware has been tested internally according to DIN EN 14428:2015 5.5.



PILLANGO

■ closed position fully adjustable



■ wall mount 8480/8481

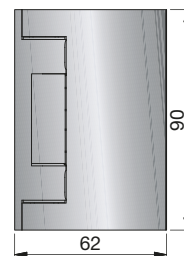
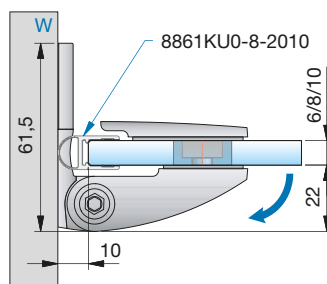


■ allen wrench (8479ST8) is mandatory for mounting and adjusting the closed position. This can be found on page 247.

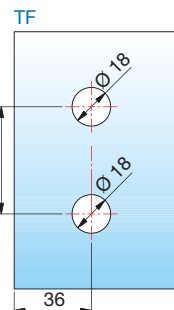
shower door hinge - PILLANGO



adjustable along the oblong hole

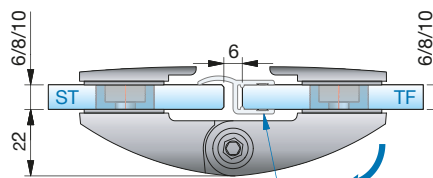


glass processing for 8 mm glass

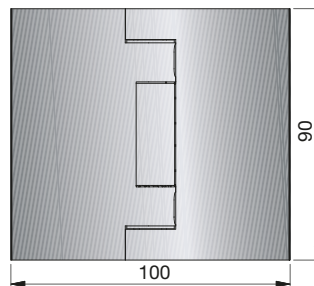


article no.	finish	glass thicken.	article description	multi-spring-technology	features	pu/pieces
8481ZN5	gloss chrome	6/8/10 mm	shower door hinge PILLANGO	2 springs	opening outwards 90°, wall mount adjustable along the oblong hole, comes with cover plate, with adjustable closed position	1/2
8481ZN1	matt chrome		glass-wall 90°			
8481ZNPVD22	stainless steel optic					
8480ZN5	gloss chrome			4 springs	dimensions of mounting bracket see page 151	
8480ZN1	matt chrome					
8480ZNPVD22	stainless steel optic					

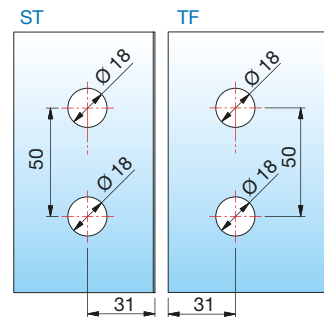
MADE IN GERMANY



8857KU0-8-2010



glass processing for 8 mm glass

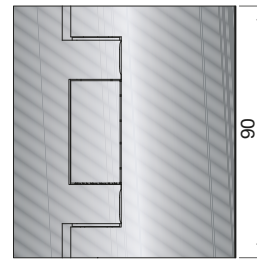
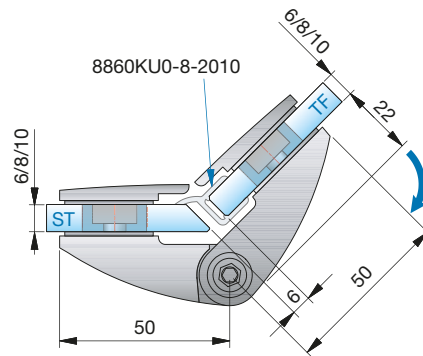


article no.	finish	glass thicken.	article description	multi-spring-technology	features	pu/pieces
8483ZN5	gloss chrome	6/8/10 mm	shower door hinge PILLANGO	2 springs	opening outwards 90°, with adjustable closed position	1/2
8483ZN1	matt chrome		glass-glass 180°			
8483ZNPVD22	stainless steel optic					
8482ZN5	gloss chrome			4 springs		
8482ZN1	matt chrome					
8482ZNPVD22	stainless steel optic					

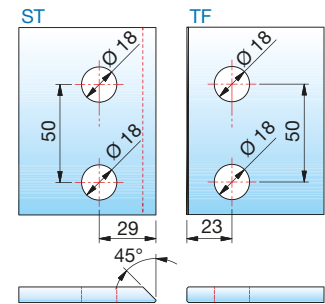
MADE IN GERMANY



shower door hinge - PILLANGO



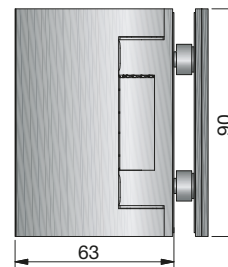
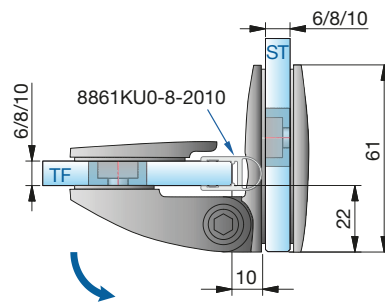
glass processing for 8 mm glass



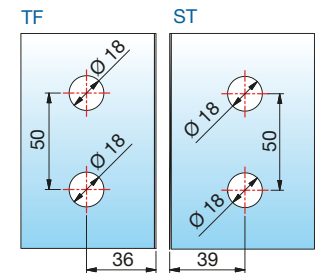
article no.	finish	glass thicken.	article description	multi-spring-technology	features	pu/pieces
8487ZN5	gloss chrome	6/8/10 mm	shower door hinge PILLANGO	2 springs	opening outwards 135°, with adjustable closed position	1/2
8487ZN1	matt chrome		glass-glass 135°			
8487ZNPVD22	stainless steel optic					
8486ZN5	gloss chrome			4 springs		
8486ZN1	matt chrome					
8486ZNPVD22	stainless steel optic					

MADE
IN
GERMANY

PILLANGO



glass processing for 8 mm glass



article no.	finish	glass thicken.	article description	multi-spring-technology	features	pu/pieces
8485ZN5	gloss chrome	6/8/10 mm	shower door hinge PILLANGO	2 springs	opening outwards 90°, with adjustable closed position	1/2
8485ZN1	matt chrome		glass-glass 90°			
8485ZNPVD22	stainless steel optic					
8484ZN5	gloss chrome			4 springs		
8484ZN1	matt chrome					
8484ZNPVD22	stainless steel optic					

MADE
IN
GERMANY

ST = side panel

TF = door panel

W = wall

*article no. end: ZN5 gloss chrome; ZN1 matt chrome; ZNPVD22 stainless steel optic





approved glass weights for doors with PILLANGO

The spring technology of the shower door hinge PILLANGO allows you to choose the right hinge for your application.

You can find the recommendation of Pauli + Sohn concerning optimal closing force of the hinges related to the door size in the following chart. Please always advise when ordering.

		door width												
		450 mm	500 mm	550 mm	600 mm	650 mm	700 mm	750 mm	800 mm	850 mm	900 mm	950 mm	1000 mm	
PILLANGO	6 mm	1600 mm	10,8 kg	12,0 kg	13,2 kg	14,4 kg	15,6 kg	16,8 kg	18,0 kg	19,2 kg	20,4 kg	21,6 kg	22,8 kg	24,0 kg
		1700 mm	11,5 kg	12,8 kg	14,0 kg	15,3 kg	16,6 kg	17,9 kg	19,1 kg	20,4 kg	21,7 kg	23,0 kg	24,2 kg	25,5 kg
		1800 mm	12,2 kg	13,5 kg	14,9 kg	16,2 kg	17,6 kg	18,9 kg	20,3 kg	21,6 kg	23,0 kg	24,3 kg	25,7 kg	27,0 kg
		1900 mm	12,8 kg	14,3 kg	15,7 kg	17,1 kg	18,5 kg	20,0 kg	21,4 kg	22,8 kg	24,2 kg	25,7 kg	27,1 kg	28,5 kg
		2000 mm	13,5 kg	15,0 kg	16,5 kg	18,0 kg	19,5 kg	21,0 kg	22,5 kg	24,0 kg	25,5 kg	27,0 kg	28,5 kg	30,0 kg
		2100 mm	14,2 kg	15,8 kg	17,3 kg	18,9 kg	20,5 kg	22,1 kg	23,6 kg	25,2 kg	26,8 kg	28,4 kg	29,9 kg	31,5 kg
	8 mm	1600 mm	14,4 kg	16,0 kg	17,6 kg	19,2 kg	20,8 kg	22,4 kg	24,0 kg	25,6 kg	27,2 kg	28,8 kg	30,4 kg	32,0 kg
		1700 mm	15,3 kg	17,0 kg	18,7 kg	20,4 kg	22,1 kg	23,8 kg	25,5 kg	27,2 kg	28,9 kg	30,6 kg	32,3 kg	34,0 kg
		1800 mm	16,2 kg	18,0 kg	19,8 kg	21,6 kg	23,4 kg	25,2 kg	27,0 kg	28,8 kg	30,6 kg	32,4 kg	34,2 kg	36,0 kg
		1900 mm	17,1 kg	19,0 kg	20,9 kg	22,8 kg	24,7 kg	26,6 kg	28,5 kg	30,4 kg	32,3 kg	34,2 kg	36,1 kg	38,0 kg
		2000 mm	18,0 kg	20,0 kg	22,0 kg	24,0 kg	26,0 kg	28,0 kg	30,0 kg	32,0 kg	34,0 kg	36,0 kg	38,0 kg	40,0 kg
		2100 mm	18,9 kg	21,0 kg	23,1 kg	25,2 kg	27,3 kg	29,4 kg	31,5 kg	33,6 kg	35,7 kg	37,8 kg	39,9 kg	42,0 kg
	10 mm	1600 mm	18,0 kg	20,0 kg	22,0 kg	24,0 kg	26,0 kg	28,0 kg	30,0 kg	32,0 kg	34,0 kg	36,0 kg	38,0 kg	40,0 kg
		1700 mm	19,1 kg	21,3 kg	23,4 kg	25,5 kg	27,6 kg	29,8 kg	31,9 kg	34,0 kg	36,1 kg	38,3 kg	40,4 kg	42,5 kg
		1800 mm	20,3 kg	22,5 kg	24,8 kg	27,0 kg	29,3 kg	31,5 kg	33,8 kg	36,0 kg	38,3 kg	40,5 kg	42,8 kg	45,0 kg
		1900 mm	21,4 kg	23,8 kg	26,1 kg	28,5 kg	30,9 kg	33,3 kg	35,6 kg	38,0 kg	40,4 kg	42,8 kg	45,1 kg	47,5 kg
		2000 mm	22,5 kg	25,0 kg	27,5 kg	30,0 kg	32,5 kg	35,0 kg	37,5 kg	40,0 kg	42,5 kg	45,0 kg	47,5 kg	50,0 kg
		2100 mm	23,6 kg	26,3 kg	28,9 kg	31,5 kg	34,1 kg	36,8 kg	39,4 kg	42,0 kg	44,6 kg	47,3 kg	49,9 kg	52,5 kg

- hinges with 2 springs for lightweight doors (8481ZN / 8483ZN / 8485ZN / 8487ZN)
- hinges with 4 springs for mediumweight and heavyweight doors (8480ZN / 8482ZN / 8484ZN / 8486ZN)
- door is too heavy



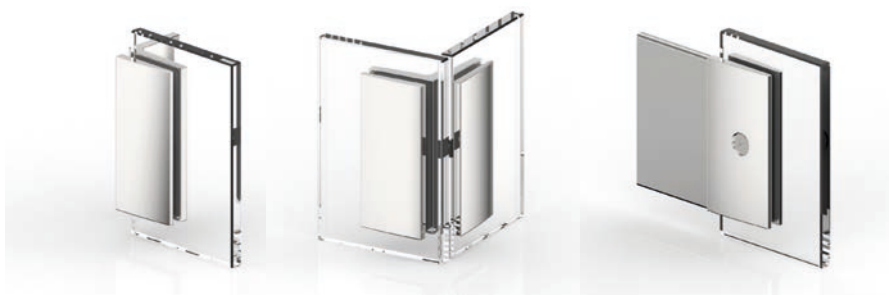
- the multi-spring-technology ensures the constant distribution of force and offers stability and long durability.
- depending on the size of the door panels, the shower door hinges can be equipped with 2- or 4-spring technology - please refer to the statistical chart on the right hand side.

General note

- system-related, micro-scratches in the area of the rollers on the visible surface can lead to a superficial matting



We recommend to install all available striker hinges with sealing profiles to avoid damage to the glass. Please note that the instruction manual can be found on page 332.



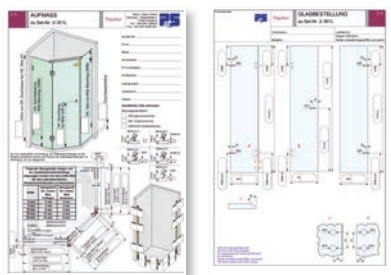
corresponding angle brackets

for PAPILLON can be found on page 210.



our service for you!

On www.pauli.de, you can find many different measurement sheets for all standard installations.



■ MADE
■ IN
■ GERMANY



■ shower door hinge PAPILLON



PAPILLON

PAPILLON – simple: attractive

Often it is the simple perfection which makes a design especially attractive. Like PAPILLON. The unobtrusive design adapts perfectly to different bathroom styles, meanwhile the innovative magnet technology closes the shower doors reliably.

- concealed screws due to cover plates
- shower door hinge one-sided opening outwards
- PAPILLON with magnets is particularly suitable for applications, where shower door and bathroom door touch each other
- assembly with a continuous seal possible
- with a self-closing mechanism without the common spring mechanism (also available without magnetic closing)
- glass thickness: 6, 8 und 10 mm
- loading capacity (2 hinges) 40 kg
corresponds to a glass door with the dimension of 1000 x 2000 mm and a glass thickness of 8mm
- the durability of the hardware has been tested internally according to DIN EN 14428:2015 5.5.



PAPILLON

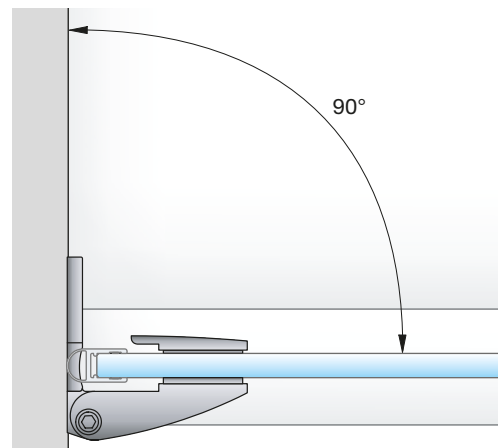
- PAPILLON with magnet is particularly suitable for applications, where shower door and bathroom door touch each other.



- with a self-closing mechanism without the common spring mechanism and therefore without mechanical friction



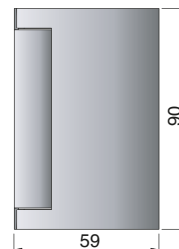
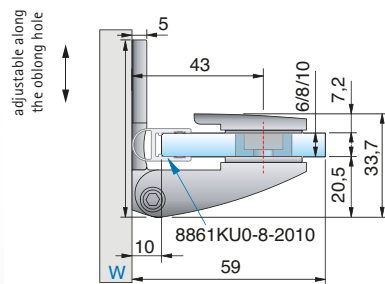
- PAPILLON hinge without magnetic closure possible - magnet is replaced by a blind plug



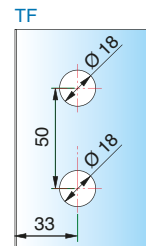
- the installation angle should not be smaller than 90° when using 8100ZN.



shower door hinge - PAPILLON



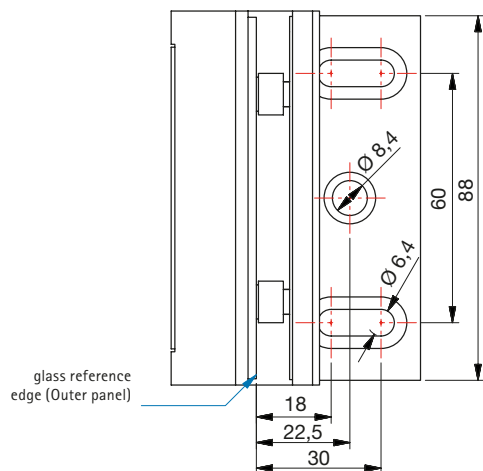
glass processing
for 8 mm glass



PAPILLON

article no.	closing function	finish	glass thickness	article description	features	pu/pieces
8100_*	self-closing magnet mechanism	see "ending of article number"	6/8/10 mm	shower door hinge PAPILLON	opening outwards 90°, full-length sealing profile,	1/2
8101_*	without self-closing magnet mechanism	see "ending of article number"	6/8/10 mm	glass-wall, 90°	adjustable along the hole and comes with cover plate, concealed screws due to cover plates	1/2

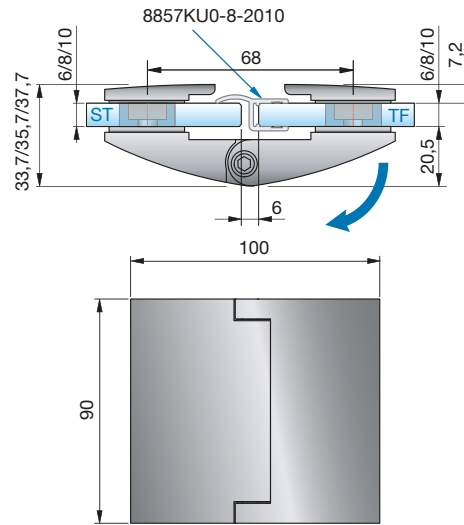
MADE
IN
GERMANY



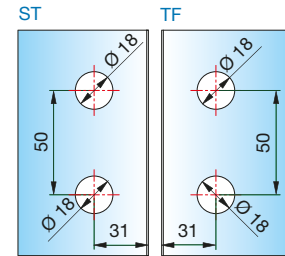
■ wall mount 8100/8101



shower door hinge - PAPILLON



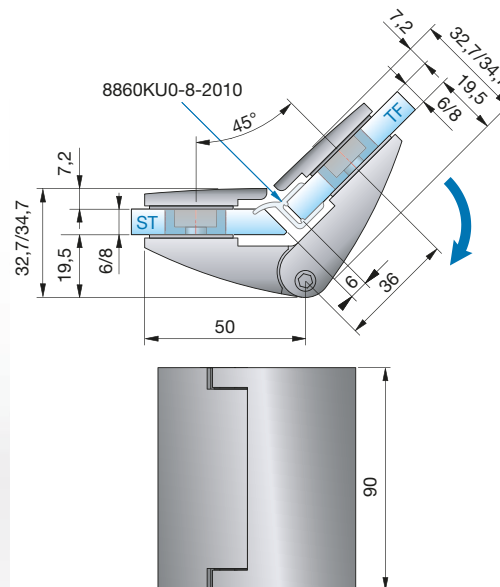
glass processing for 8 mm glass



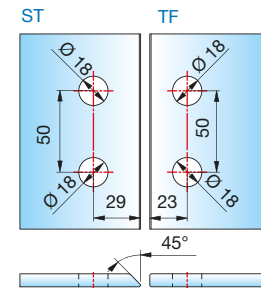
article no.	closing function	finish	glass thickness	article description	features	pu/pieces
8102_*	self-closing magnet mechanism	see "ending of article number"	6/8/10 mm	shower door hinge PAPILLON glass-glass, 180°	opening outwards 90°, full-length sealing profile	1/2
8103_*	without self-closing magnet mechanism				concealed screws due to cover plates	

MADE IN GERMANY

PAPILLON



glass processing for 8 mm glass



article no.	closing function	finish	glass thickness	article description	features	pu/pieces
8104_*	self-closing magnet mechanism	see "ending of article number"	6/8/10 mm	shower door hinge PAPILLON glass-glass, 135°	opening outwards 90°, full-length sealing profile	1/2
8105_*	without self-closing magnet mechanism				concealed screws due to cover plates	

MADE IN GERMANY

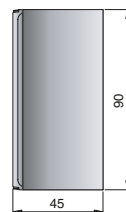
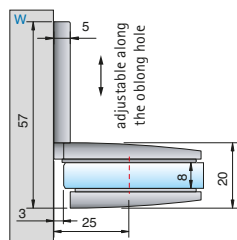
ST = side panel

TF = door panel

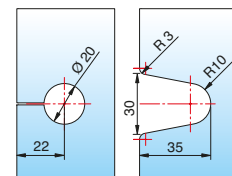
W = wall

*article no. end: ZN5 gloss chrome; ZN1 matt chrome; ZNPVD22 stainless steel optic

angle bracket for PILLANGO, PAPILLON, FARFALLA

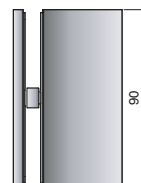
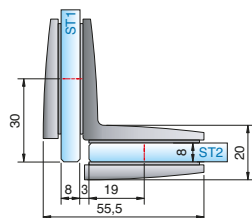


glass processing for 8 mm glass
hole \varnothing 20 mm or recess R35

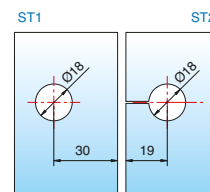


article no.	finish	glass thickness	article description	features	pu/pieces
8106ZN5	gloss chrome	6/8/10 mm	angle bracket, glass-wall, 90°	wall mount adjustable along the oblong hole and comes with cover plate	1/2
8106ZN1	matt chrome				
8106ZNPVD22	stainless steel optic			fixed	

MADE
IN
GERMANY

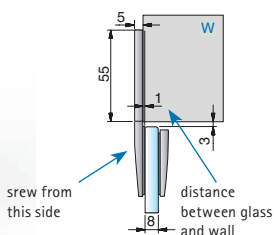


glass processing for 8 mm glass

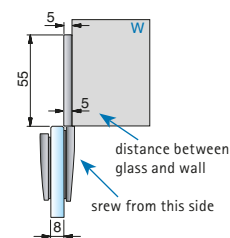
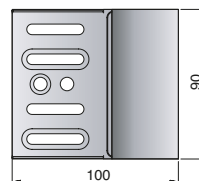
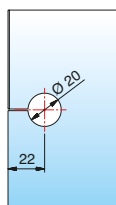


article no.	finish	glass thickness	article description	features	pu/pieces
8108ZN5	gloss chrome	6/8/10 mm	angle bracket, glass-glass, 90°	-	1/2
8108ZN1	matt chrome				
8108ZNPVD22	stainless steel optic				

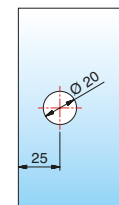
MADE
IN
GERMANY



glass processing for 6/8/10 mm glass



glass processing for 6/8/10 mm glass



article no.	finish	glass thickness	article description	features	pu/pieces
8110ZN5	gloss chrome	6/8/10 mm	connector, glass-wall, 180°	wall mount adjustable along the oblong hole and comes with cover plate, screw side usable left or right	1/2
8110ZN1	matt chrome				
8110ZNPVD22	stainless steel optic				

MADE
IN
GERMANY

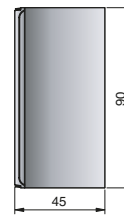
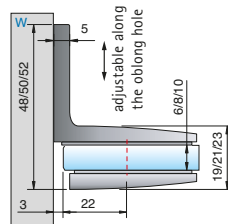
ST = side panel

TF = door panel

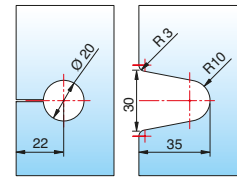
W = wall



angle bracket for PILLANGO, PAPILLON, FARFALLA



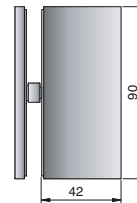
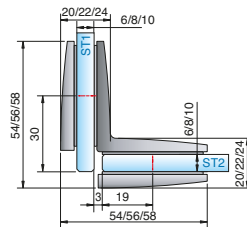
glass processing for 8 mm glass
hole \varnothing 20 mm or recess R35



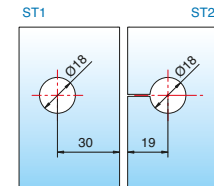
Black
EDITION

article no.	finish	glass thickness	article description	features	pu/pieces
8107ZN5	gloss chrome	6/8/10 mm	angle bracket, glass-wall, 90°	wall mount adjustable along the oblong hole and comes with cover plate	1/2
8107ZN1	matt chrome				
8107ZNPVD22	stainless steel optic				
8107ZN35	RAL9005 black matt				
8107ZN36	RAL9005 black gloss				

MADE IN GERMANY



glass processing for 8 mm glass

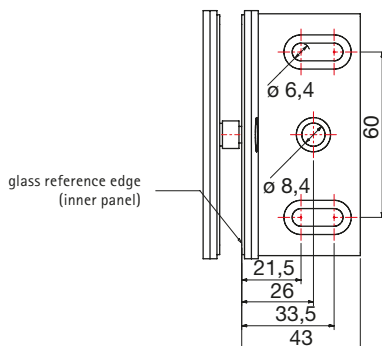


Black
EDITION

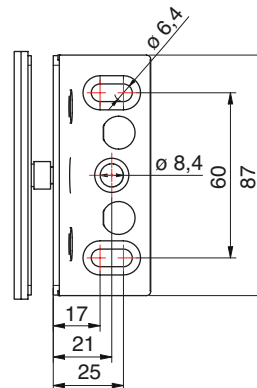
article no.	finish	glass thickness	article description	features	pu/pieces
8109ZN5	gloss chrome	6/8/10 mm	angle bracket, glass-glass, 90°	concealed screws due to cover plates	1/2
8109ZN1	matt chrome				
8109ZNPVD22	stainless steel optic				
8109ZN35	RAL9005 black matt				
8109ZN36	RAL9005 black gloss				

MADE IN GERMANY

wall mount 8106ZN



wall mount 8107ZN





■ MADE
■ IN
■ GERMANY



■ shower system VIVERE II

shower system - VIVERE II



VIVERE

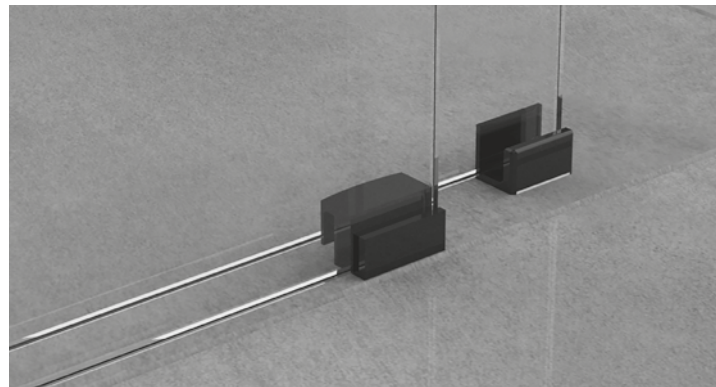
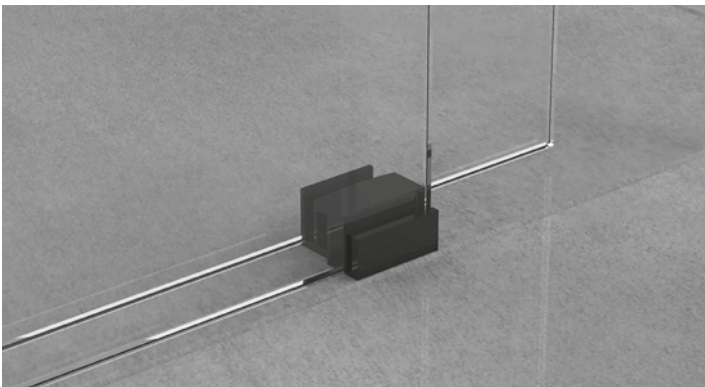




VIVERE II – balanced: intuitive and technical

Excellent design is not only very attractive, it is also extremely functional. VIVERE II is visually harmonious with its round form in contrast to the edges of bath rooms. Technically, the shower system stands out with the eccentric adjustable glass door point fixtures for a perfect fit, the 3D adjustable wall and angle brackets and countersunk holes for a flush surface on the inside of the glass.

- angle and wall connectors adjustable across three axes
- wall connectors available with raised or flush heads
- easy assembly with optimal wall alignment
- pull-away lower guide for easy cleaning
- eccentric guide rollers allow an adjustment in height and inclination
- custom and special solutions on request
- glass thickness: 8 mm





overview installation situation



niche showers



VIVERE

8563VA-V (U)

8557VA-V (U)

8549VA-V (U)

8552VA-V (U)

8551VA-V (U)

8553VA-V (U)

8564VA-V (E)

8558VA-V (E)

8549VA-VE (E)

8552VA-VE (E)

8551VA-VE (E)

8553VA-VE (E)

8565VA-V (F)

8559VA-V (F)

8549VA-VF (F)

8552VA-VF (F)

8551VA-VF (F)

8553VA-VF (F)

single rail

double rail

single rail

double rail

single rail

double rail



shower system – VIVERE II

corner showers



VIVERE

8560VA-900 (U)	8560VA-1000 (U)	8560VA-V (U)
8561VA-900 (E)	8561VA-1000 (E)	8561VA-V (E)
8562VA-900 (F)	8562VA-1000 (F)	8562VA-V (F)
single rail	single rail	single rail



VIVERE

-	8555VA-VU (U)	8556VA-VU (U)	8568VA-V (U)
8554VA-V (E)	8555VA-V (E)	8556VA-V (E)	8568VA-VE (E)
8554VA-VF (F)	8555VA-VF (F)	8556VA-VF (F)	8568VA-VF (F)
double rail	double rail	double rail	single rail



VIVERE

circular showers



VIVERE

-	-	-
-	8522VA (E)	8566VA-V (E)
8570VA R500 (F)	-	8567VA-V (F)
single rail	single rail	single rail

u-showers

- (U) = with u-profile
- (E) = with wall connector, raised head
- (F) = with wall connector, flush

if desired, other variations can be created!

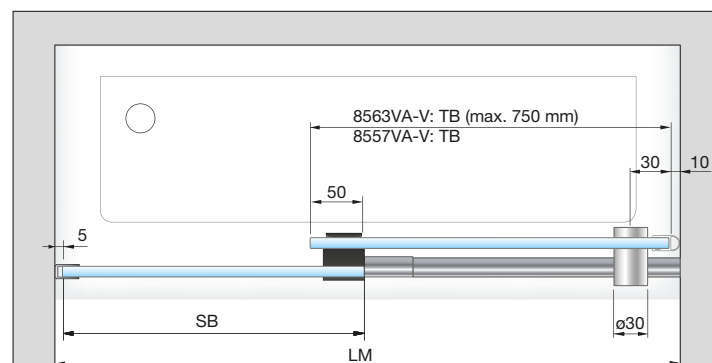
for all available glass-sets, please refer to page 234

shower system - VIVERE II



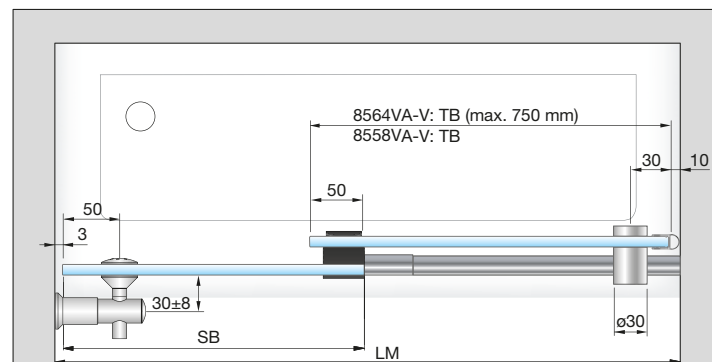
single panel niche-situation – width of up to 1200 mm – 8563VA-V | 8564VA-V | 8565VA-V
width of up to 2000 mm – 8557VA-V | 8558VA-V | 8559VA-V

MADE
IN
GERMANY



set 8563VA-V: single guiding rail, niche, u-profile, to 1200 mm
set 8557VA-V: double guiding rail, niche, u-profile, to 2000 mm

picture shows version single guiding rail 8564VA-V

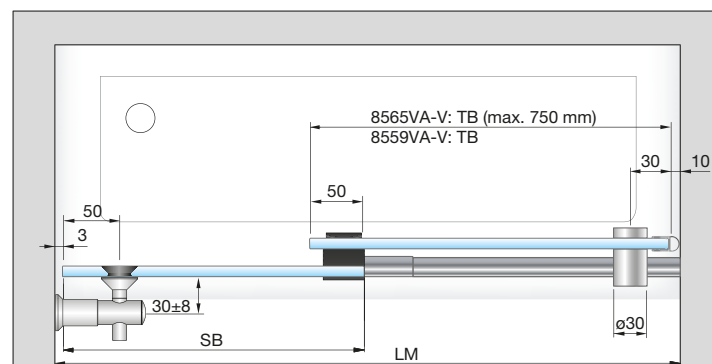


set 8564VA-V: single guiding rail, niche, raised head, to 1200 mm
set 8558VA-V: double guiding rail, niche, raised head, to 2000 mm

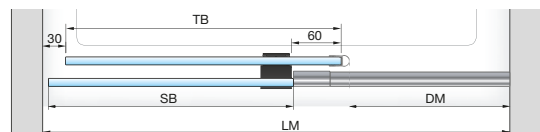
picture shows version double guiding rail 8557VA-V

$DM = (LM + (20 \text{ mm} - \text{sealing profile})) / 2 - 80 \text{ mm}$
example: $DM = (1150 + (20 \text{ mm} - 10)) / 2 - 80 \text{ mm}$
 $DM = 500 \text{ mm}$

we need the following information on the order sheet:
clear dimension (LM), height of the shower (DH) and gap left for a sealing profile between the glass panel and the wall: 10 mm



set 8565VA-V: single guiding rail, niche, flush, to 1200 mm
set 8559VA-V: double guiding rail, niche, flush, to 2000 mm



SB = side panel width

TB = door panel width

DM = entry distance

LM = clear distance



single panel niche-situation – width of up to 2000 mm - 8549VA-V
width of up to 2000 mm - 8552VA-V

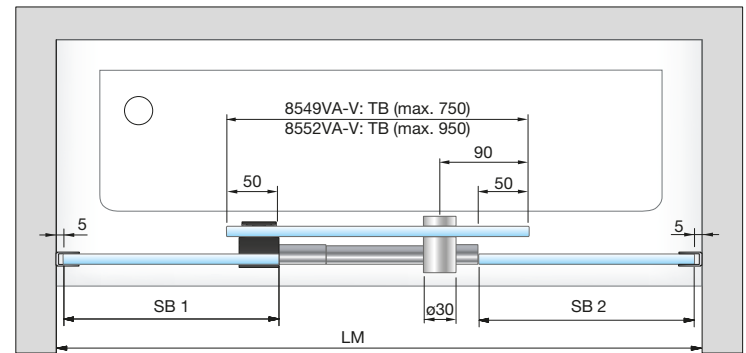


picture shows version single guiding rail 8549VA-V

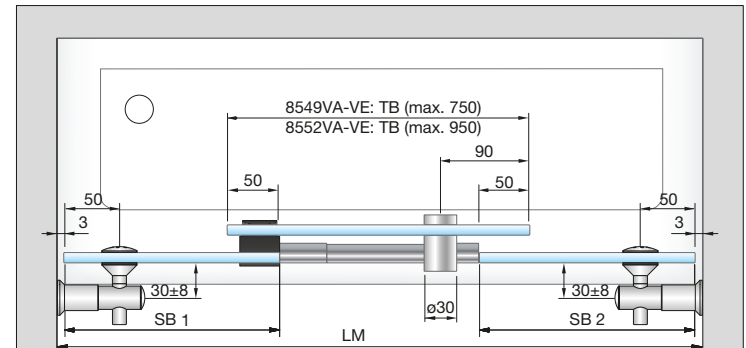


picture shows version double guiding rail 8552VA-V

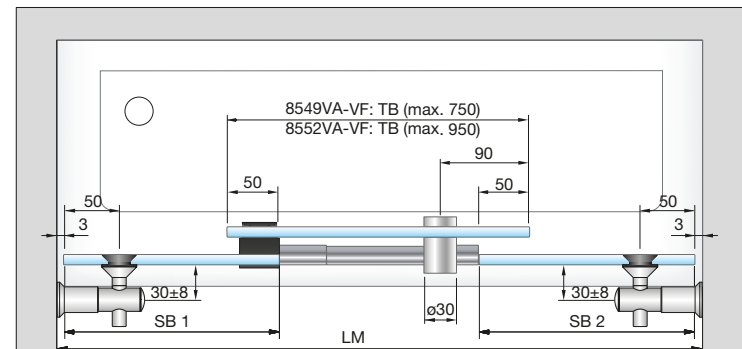
we need the following information on the order sheet:
clear dimension (LM) and height of the shower (DH)



set 8549VA-V: single guiding rail, niche, u-profile, to 1200 mm
set 8552VA-V: double guiding rail, niche, u-profile, to 2000 mm



set 8549VA-VE: single guiding rail, niche, raised head, to 2000 mm
set 8552VA-VE: double guiding rail, niche, raised head, to 2000 mm



set 8549VA-VF: single guiding rail, niche, flush, to 2000 mm
set 8552VA-VF: double guiding rail, niche, flush, to 2000 mm

SB = side panel width

TB = door panel width

DM = entry distance

LM = clear distance

shower system - VIVERE II



double panel niche-situation – up to 2000 mm - 8551VA-V
up to 2000 mm - 8553VA-V

MADE
IN
GERMANY

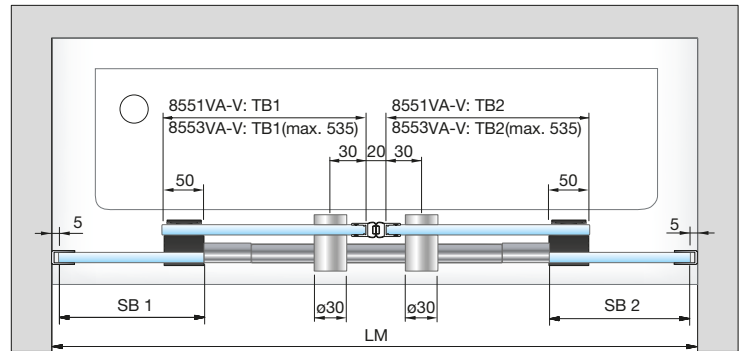


picture shows version single guiding rail 8551VA-V

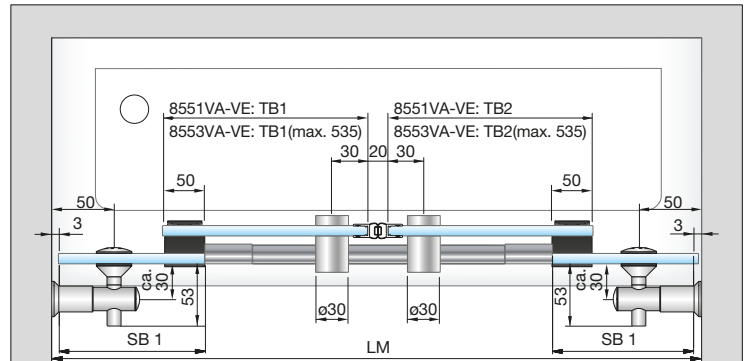


picture shows version double guiding rail 8553VA-V

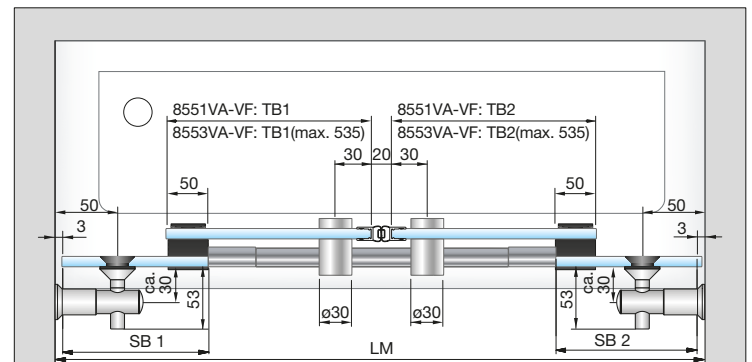
we need the following information on the order sheet:
clear dimension (LM), height of the shower (DH) and gap left for a sealing profile between the glass panel and the wall 20 mm



set 8551VA-V: single guiding rail, niche, u-profile, to 1200 mm
set 8553VA-V: double guiding rail, niche, u-profile, to 2000 mm



set 8551VA-VE: single guiding rail, niche, raised head, to 2000 mm
set 8553VA-VE: double guiding rail, niche, raised head, to 2000 mm



set 8551VA-VF: single guiding rail, niche, flush, to 2000 mm
set 8553VA-VF: double guiding rail, niche, flush, to 2000 mm

SB = side panel width

TB = door panel width

DM = entry distance

LM = clear distance



shower system - VIVERE II

MADE
IN
GERMANY



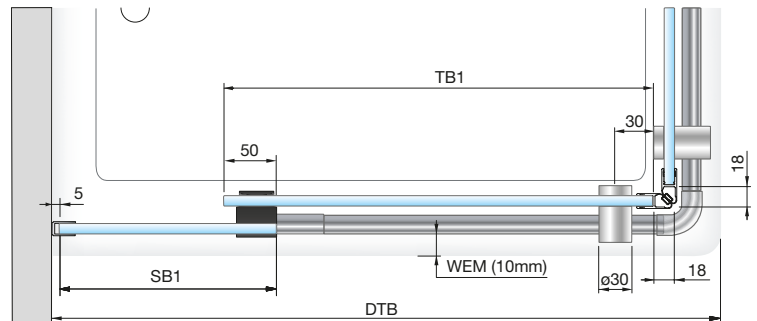
VIVERE

shower system - VIVERE II

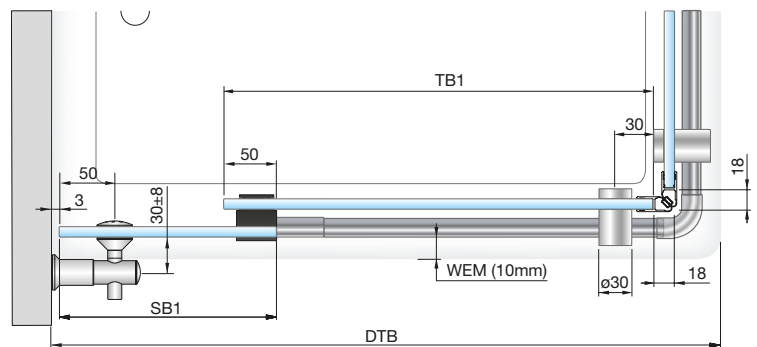


corner shower width of up to 1000 x 1000 mm

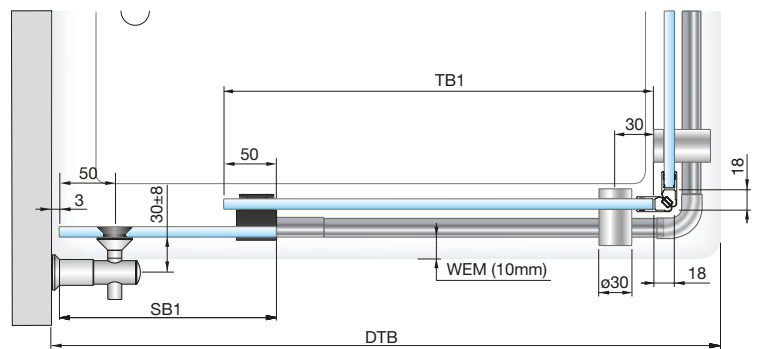
MADE
IN
GERMANY



set 8560VA-900: single guiding rail, corner shower, u-profile, shower basin of 900 x 900 mm
 set 8560VA-1000: single guiding rail, corner shower, u-profile, shower basin of 1000 x 1000 mm
 set 8560VA-V: single guiding rail, corner shower, u-profile, variable size of up to 1000x1000 mm



set 8561VA-900: single guiding rail, corner shower, raised head, shower basin of 900 x 900 mm
 set 8561VA-1000: single guiding rail, corner shower, raised head, shower basin of 1000 x 1000 mm
 set 8561VA-V: single guiding rail, corner shower, raised head, variable size of up to 1000x1000 mm



set 8562VA-900: single guiding rail, corner shower, flush, shower basin of 900 x 900 mm
 set 8562VA-1000: single guiding rail, corner shower, flush, shower basin of 1000 x 1000 mm
 set 8562VA-V: single guiding rail, corner shower, flush, variable size of up to 1000x1000 mm

picture shows version double guiding rail 8561VA-900

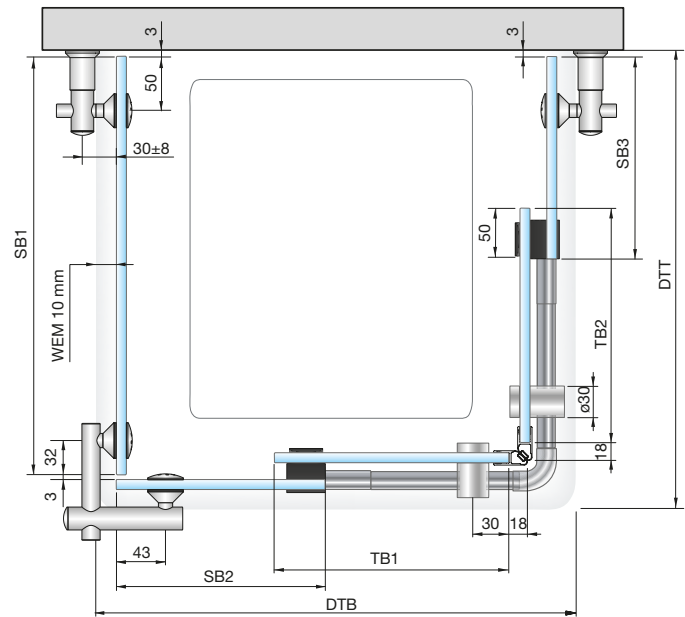
we need the following information on the order sheet:
 height of shower (DH), width of the shower tray (DTB), depth of the shower (DTT) and tray offset distance between the outer edge of the side panel and the outer edge of the shower tray (WEM).

SB= side panel width TB = door panel width DM = entry distance WEM = distance between the outer edge of the side part and the outer edge of the shower tray DTB = width of the shower tray
 DTT = depth of the shower

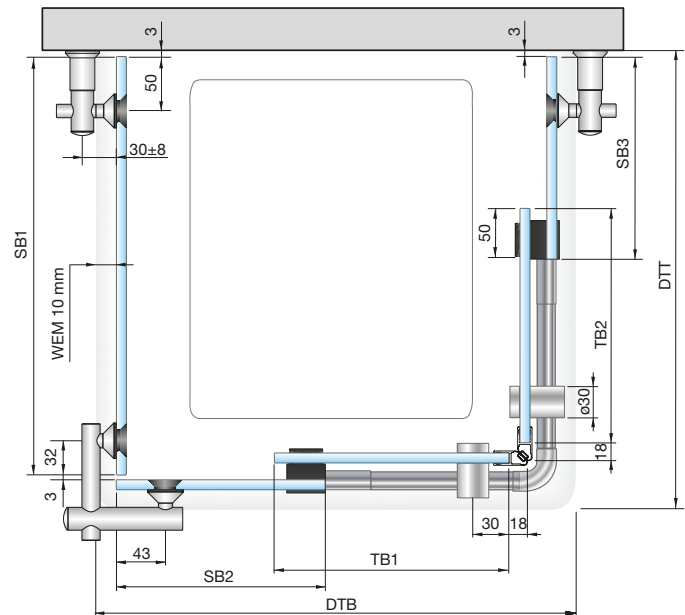


U-shower up to 1000x1000 mm - 8566VA-V/8567VA-V

MADE
IN
GERMANY



set 8566VA-V: single guiding rail, U shower, raised head



set 8567VA-V: single guiding rail, U shower, flush

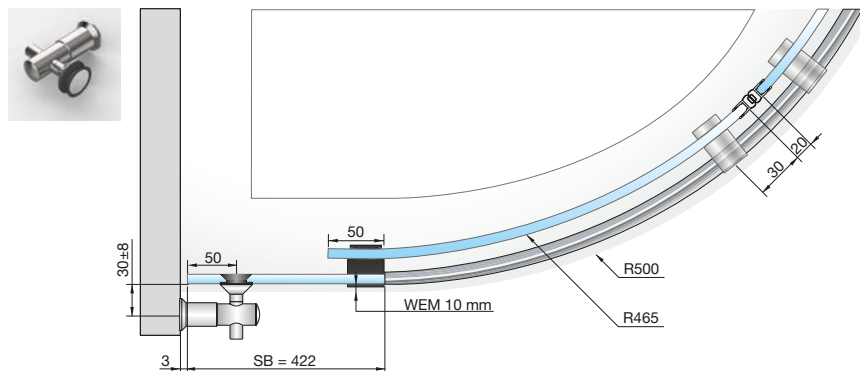
SB= side panel width TB = door panel width DM = entry distance WEM = distance between the outer edge of the side part and the outer edge of the shower tray DTB = width of the shower tray DTT = depth of the shower

shower system - VIVERE II



corner shower width of up to 1000 x 1000 mm

MADE
IN
GERMANY



set 8570VA: single guiding rail, circular shower, flush, shower basin of 900 x 900 mm, R500

VIVERE

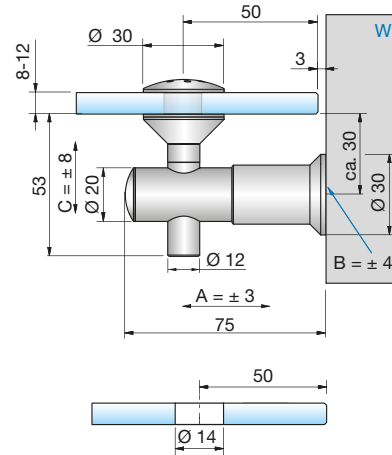
picture shows version single guiding rail 8570VA-V

for all available glass-sets,
please refer to page 231

art. no. 8581GLAS-R500-900



SB= side panel width TB = door panel width DM = entry distance WEM = distance between the outer edge of the side part and the outer edge of the shower tray DTB = width of the shower tray
DTI = depth of the shower

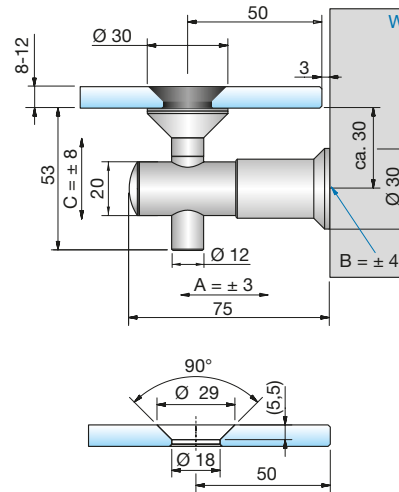


adjustability:
A: ± 3 mm | B: ± 4 mm | C: ± 8 mm
B=adjustability by oblong hole

article no.	finish	glass thickness	article description	features	pu/pieces
7772VA	stainless steel	8-12 mm	wall connector VIVERE, raised head, glass-wall, 90°	fastener adjustable in 3 axes	1/2

MADE
IN
GERMANY

VIVERE

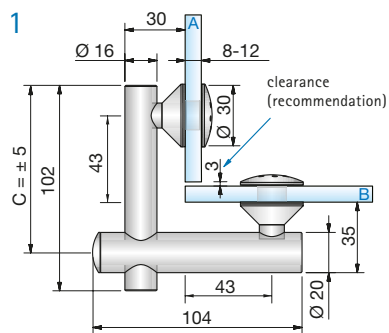


adjustability:
A: ± 3 mm | B: ± 4 mm | C: ± 8 mm
B=adjustability by oblong hole

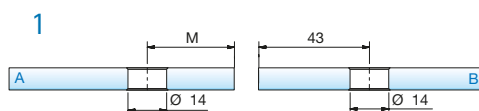
article no.	finish	glass thickness	article description	features	pu/pieces
7773VA	stainless steel	8-12 mm	wall connector VIVERE, flush, glass-wall, 90°	fastener adjustable in 3 axes	1/2

MADE
IN
GERMANY

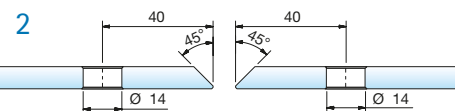
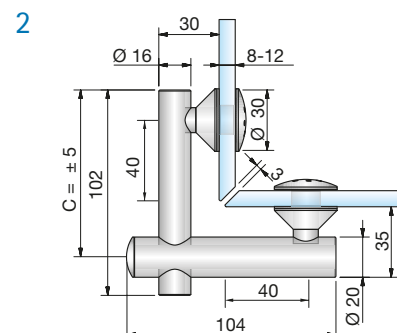
shower system - VIVERE II



C = adjustability of the fastener

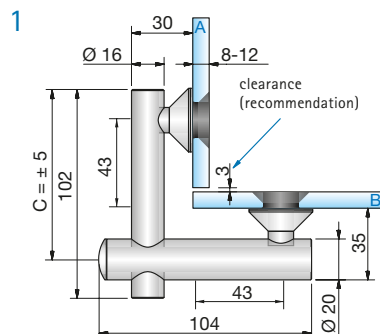


M = 43 mm - glass thickness - distance

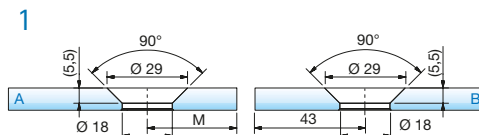


article no.	finish	glass thickness	article description	features	pu/pieces
7774VA	stainless steel	8-12 mm	corner connector VIVERE, raised head, glass-glass, 90°	-	1/2

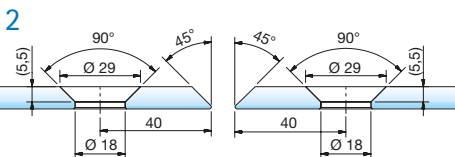
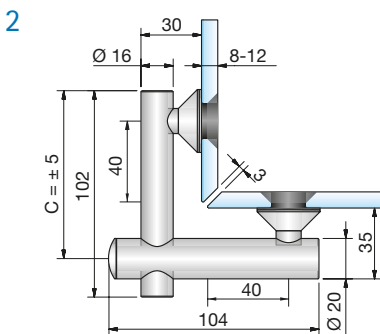
MADE IN GERMANY



C = adjustability of the fastener



M = 43 mm - glass thickness - distance



article no.	finish	glass thickness	article description	features	pu/pieces
7775VA	stainless steel	8-12 mm	corner connector VIVERE, flush, glass-glass, 90°	2 mm adjustable over 360°	1/2

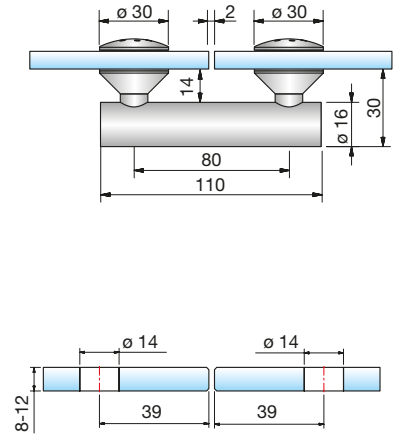
MADE IN GERMANY

STH = height of side panel

TH = height of the door

DH = height of shower

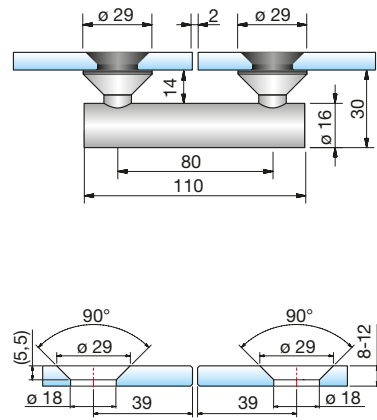




article no.	finish	glass thickness	article description	features	pu/pieces
7777VA	stainless steel	8-12 mm	connector VIVERE, raised head, glass-glass, 180°	-	1/2

MADE IN GERMANY

VIVERE



article no.	finish	glass thickness	article description	features	pu/pieces
7778VA	stainless steel	8-12 mm	connector VIVERE, flush, glass-glass, 180°	2 mm adjustable over 360°	1/2

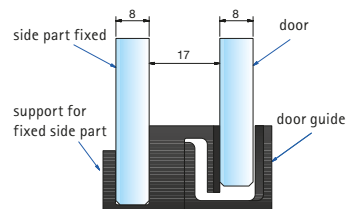
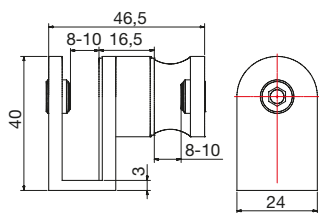
MADE IN GERMANY

shower system - VIVERE II



8526VAL

without magnet



pull-away with magnet

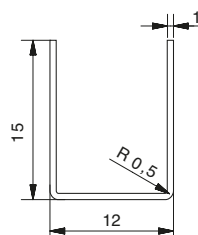


article no.	finish	glass thckn.	article description	pu/pieces
8526VAL	stainless steel	8-10 mm	floor guide, left	1/1
8526VAR	stainless steel	8-10 mm	floor guide, right	

MADE
IN
GERMANY

article no.	finish	glass thckn.	article description	pu/pieces
8527KU	plastic black	8 mm	floor guide	1/1
8527KU1	plastic white	8 mm	floor guide	

MADE
IN
GERMANY

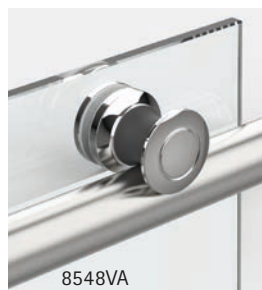


article no.	finish	glass thckn.	article description	pu/pieces
8505VA	stainless steel	≤ 8 mm	u-profile, length =1980 mm	1/1
8505VA-2500	stainless steel	≤ 8 mm	u-profile, length =2500 mm	

MADE
IN
GERMANY



8546VA

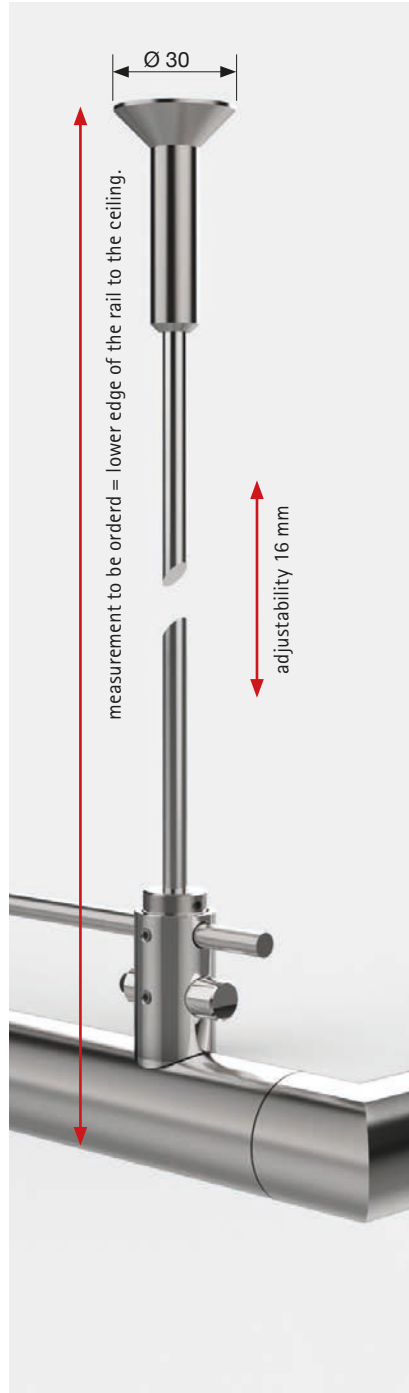


8548VA

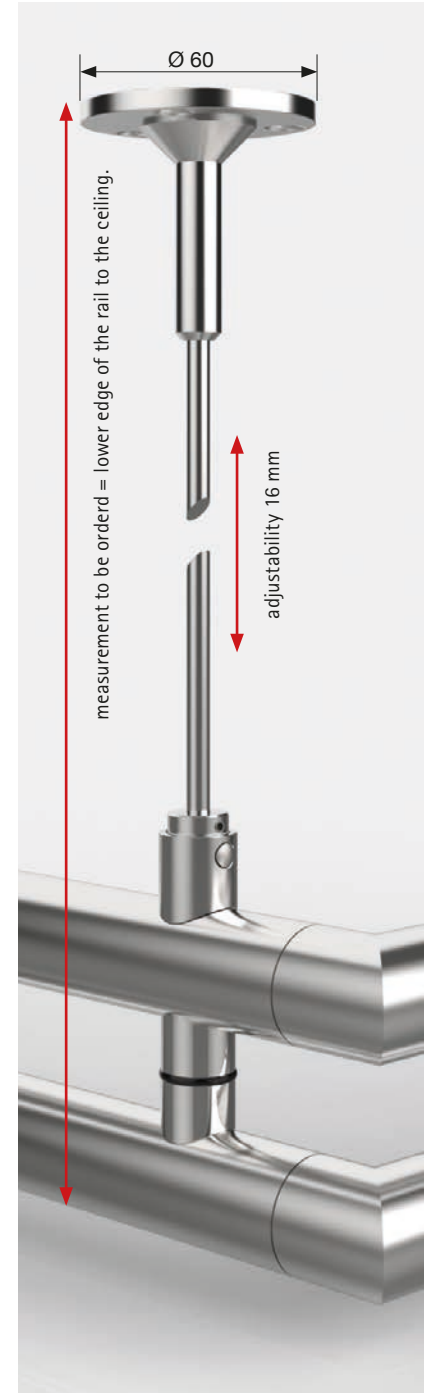


article no.	finish	article description	pu/pieces
8546VA	stainless steel	end plug Ø 30mm	1/1
8548VA	stainless steel	eccentric roller ± 2mm	

MADE
IN
GERMANY



with hanger bolt for ceiling mounting, length up to 1000 mm



with mounting plate Ø 60 mm, 3 mounting holes for ceiling mounting, length up to 1000 mm

article no.	finish	article description	pu/pieces
8544VA	stainless steel	ceiling hanger for single guiding rail	1/1
8518VA	stainless steel	ceiling hanger for double guiding rail	

MADE
IN
GERMANY

article no.	finish	article description	pu/pieces
8545VA	stainless steel	ceiling hanger for single guiding rail	1/1
8519VA	stainless steel	ceiling hanger for double guiding rail	

MADE
IN
GERMANY



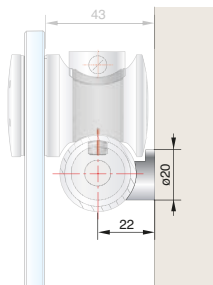
different glass and wall connections

Different installation situations require different connections. The wall connector pin (standard 8517VA) offers a latent solution. In case of facing difficult subsurfaces, you are able to fix the guiding rail with the wall connection plate (31177VA) by using two screws /dowels.

For parallel mounting, the side connector (8547VA) can be used. our round showers can be fixed by using the special connector (8576VAR/VAL). The ceiling hanger (8544VA/8545VA) offers an additional locking device.

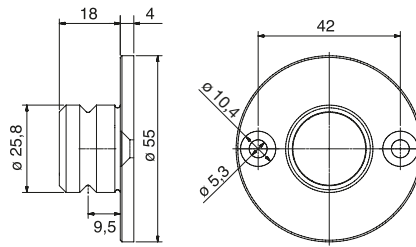


It is also possible to connect to the glass with single and double track tubes. Contact us - we will be happy to advise you!

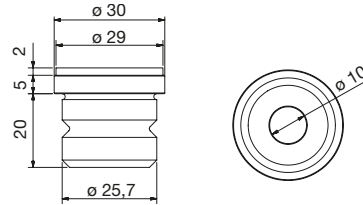


article no.	finish	article description	Ø	pu/pieces
8547VA	stainless steel	wall connector	Ø 20 mm	1/1

MADE IN GERMANY



article no.	finish	article description	Ø	pu/pieces
31177VA	stainless steel	wall mount plate with pin	Ø 55 mm	1/1

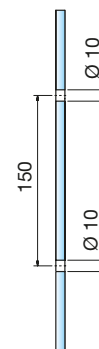
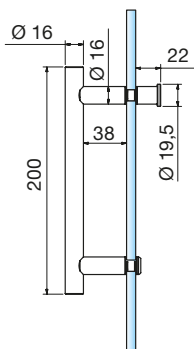


article no.	finish	article description	Ø	pu/pieces
8517VA	stainless steel	wall stud for VIVERE II tube	30 mm	1/1



article no.	finish	article description	features	pu/pieces
8576VAL 8576VAR	stainless steel	wall connection with wall connection plate 8545-1VA for round showers	right and left version excl. screw S7991A2D8x16	1/1

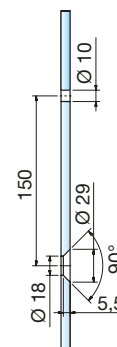
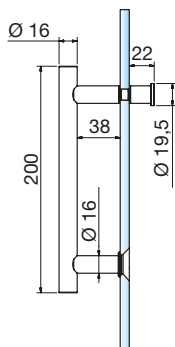
shower system - VIVERE II



article no.	finish	glass bore	glass thickness	article description	features	pu/pieces
8065VA-200	stainless steel	Ø 10 mm	6-10 mm	door handle single sided, with handle piece	length 200 mm, raised head	1/1
8065VA1-200	stainless steel polished	Ø 10 mm	6-10 mm	door handle single sided, with handle piece	length 200 mm, raised head	1/1

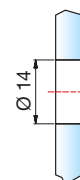
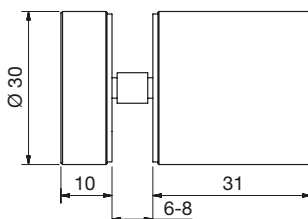
MADE IN GERMANY

VIVERE



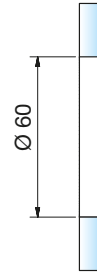
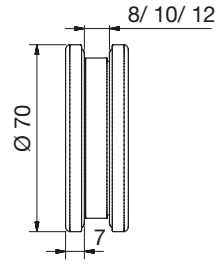
article no.	finish	glass bore	glass thickness	article description	features	pu/pieces
8066VA-200	stainless steel	please see details	8-10 mm	door handle single sided, with handle piece	length 200 mm, flush	1/1
8066VA1-200	stainless steel polished	please see details	8-10 mm	door handle single sided, with handle piece	length 200 mm, flush	1/1

MADE IN GERMANY



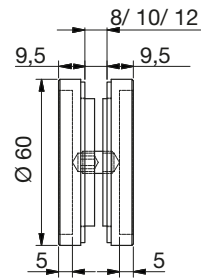
article no.	finish	glass bore	glass thickness	article description	pu/pieces
8502VA	stainless steel	Ø 14 mm	6-8 mm	glass door knob single sided	1/1

MADE IN GERMANY



article no.	finish	glass thickness	article description	features	pu/pieces
32028VA-8	stainless steel	8 mm	recess knob, open, threaded	Ø 70 mm, raised, 7 mm	1/1
32028VA-10		10 mm			
32028VA-12		12 mm			

MADE
IN
GERMANY



article no.	finish	glass thickness	article description	features	pu/pieces
8514MS7	gloss chrome	8/10/12 mm	recess knob, closed, threaded	Ø 60 mm, raised, 9,5 mm	1/1
8514VA	stainless steel				

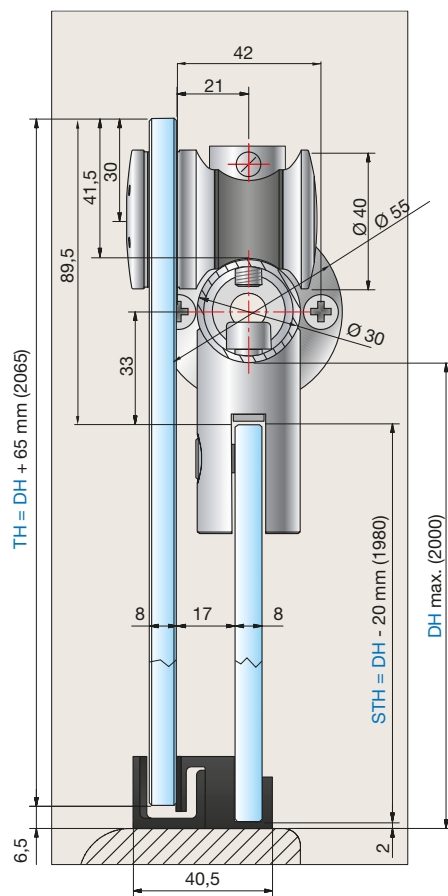
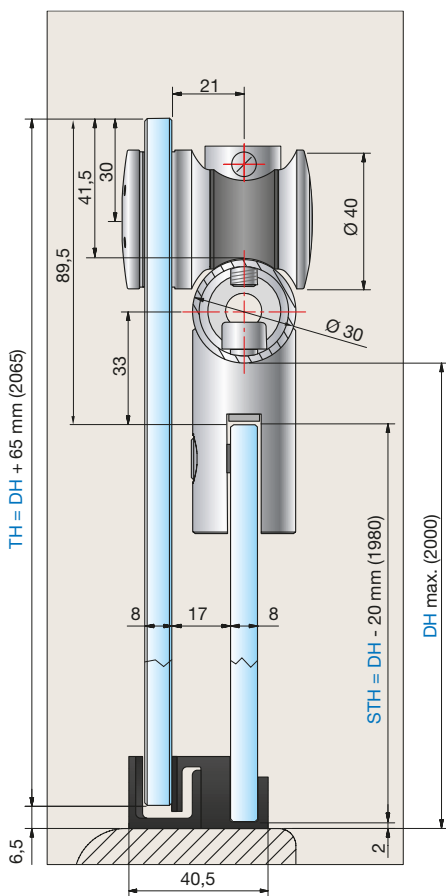
MADE
IN
GERMANY



sample niche shower with single guiding rail:

for niche widths of up to 1200mm

You can use our shower 8563VA-V, 8564VA-V and 8565VA-V for niche widths of up to 1200-2000mm. We recommend to use our shower 8557VA-V, 8558VA-V and 8559VA-V with double rail.



STH = height of side panel

TH = height of the door

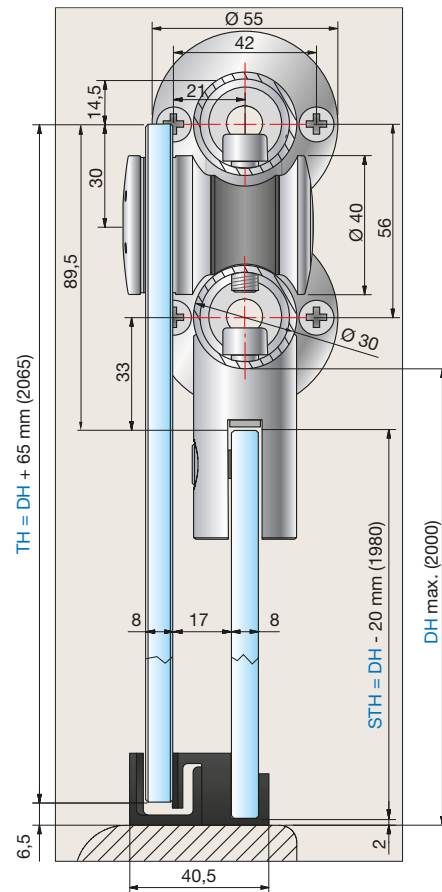
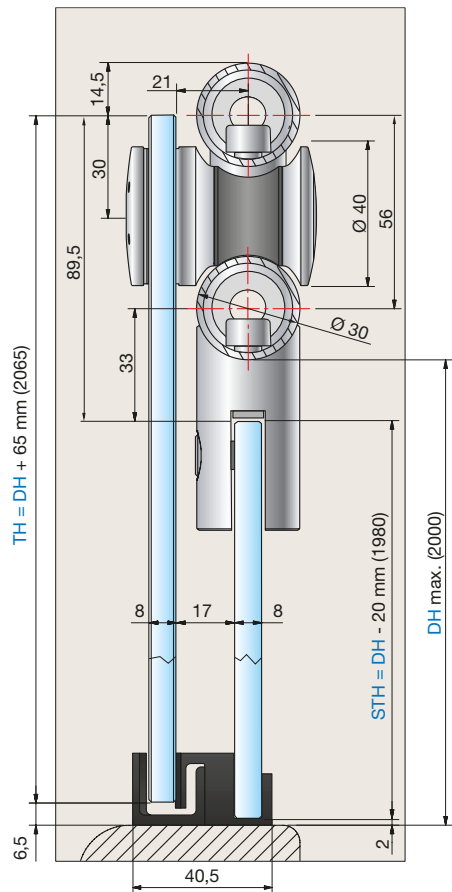
DH = height of shower



sample niche shower with double guiding rail:

shower cabinet solutions are alternatively available with wall stud (8517VA) or wall connector plate (31177- VA). (Standard: wall stud 8517VA)

For niche sizes between 1200mm and 2000mm we recommend to use our systems 8557VA-V, 8558VA-V and 8559VA-V with double rail.



STH = height of side panel

TH = height of the door

DH = height of shower

WALK-IN



WALK IN





■ partition walls



products in overview

various solutions for different requirements

With our wide range of products, large room situations without or only partially with additional stabilization bars can be realized.

- large variety of products
- especially suitable for individual solutions

- maximum design freedom
- combination with shower door hinges, angle brackets and profiles possible
- various solutions – quickly implemented
- easy mounting



WALK-IN with system profile
from page 244



WALK-IN with hardware
you can find a variety of angle brackets in the respective shower fixture series.



WALK-IN with hardware and
floor to ceiling spanner
from page 240



WALK-IN with clamps and U-profiles
from page 252

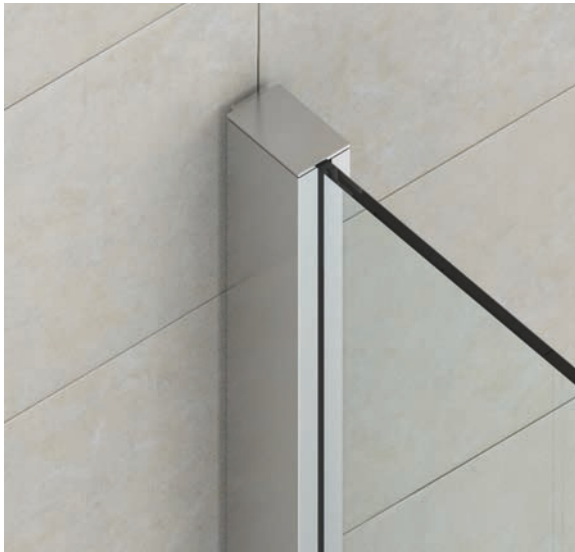


wall profiles in overview

various solutions for diverse requirements

Each of our wall profiles is designed for different requirements.

We will be glad to advise you!



clamping profile 8884 for uneven walls and stable support



wall connection profile 8889 for fast and simple solutions



wall connection profile 8830 in combination with the 8888 system profile

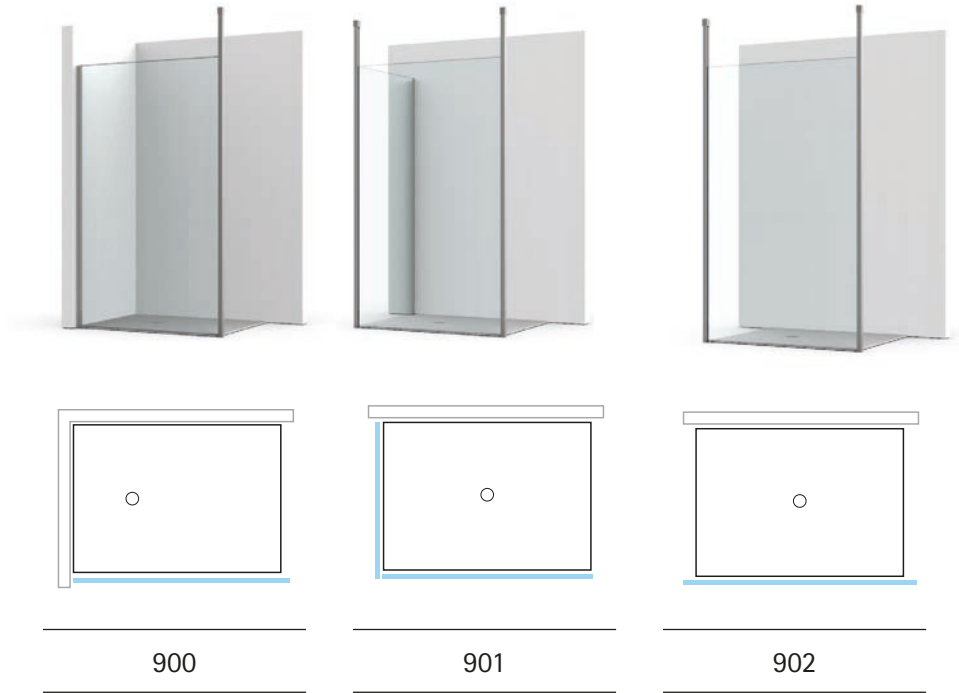


e.g. 8841 with end cap

different damp room suitable U-profiles in different sizes.



■
■
■
■
■
■
■
■
■
■
■
 Type WALK-IN with system profile - ceiling mounted



■
■
■
■
■
■
■
■
■
■
■
 Type WALK-IN with system profile - wall mounted





WALK IN



new WALK-IN system profile
different solutions - quickly installed



- length: 2800 mm
- tube can be shortened in length
- tube 32 x 32 mm
- especially suitable for individual solutions
- maximum design freedom

- easy assembly
- compensation of inclined walls up to approx. 6 mm
- installation with LEDs possible
- concealed screw connection
- no additional stabilization bars required



WALK IN

- due to the divided rubber profile, the glass pane can be inserted without any problems.

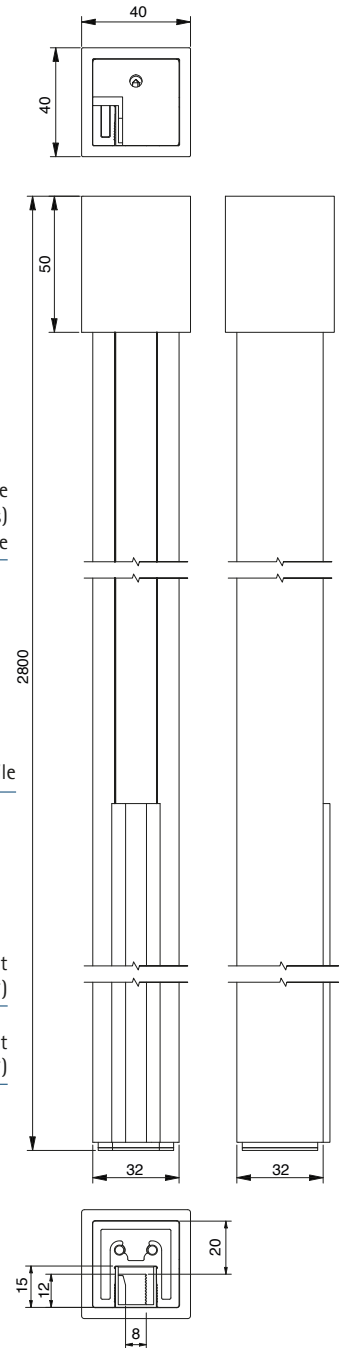
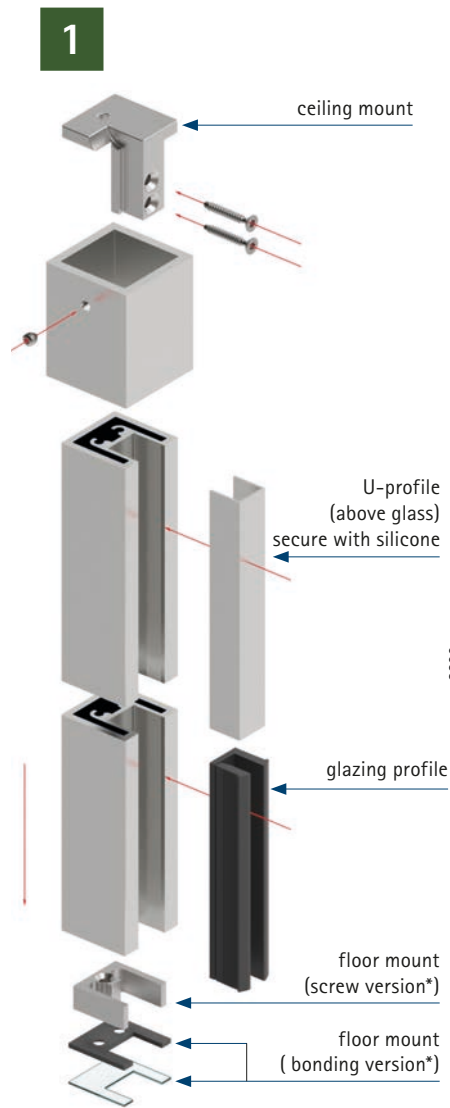


- we offer various possibilities for connection to the floor. Both variants must be sealed with silicone.

WALK-IN – system profile



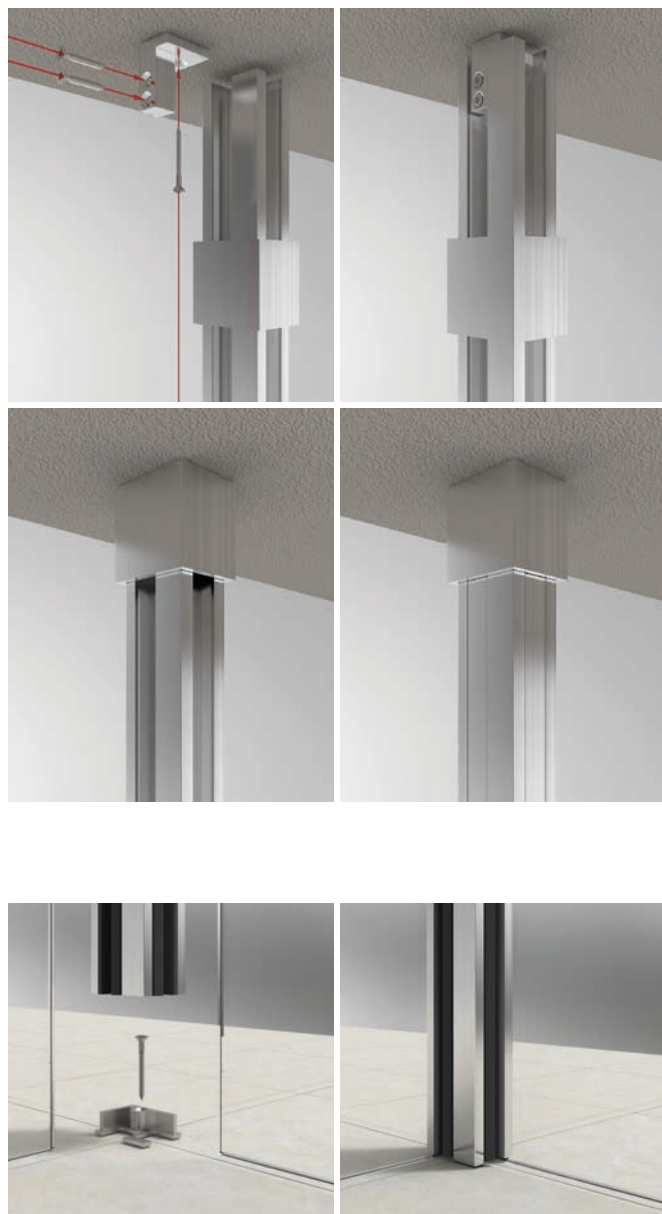
version with one glass panel - mounted to the ceiling



* In order to prevent the water barrier in the bathroom from being damaged by subsequent drilling of the lower mounting plate, the tiler should install the mounting adapter into the floor structure beforehand and carry out the correct moisture barrier according to the exposure class in accordance with the recognized guidelines.



version with two panels - mounted to the ceiling



2

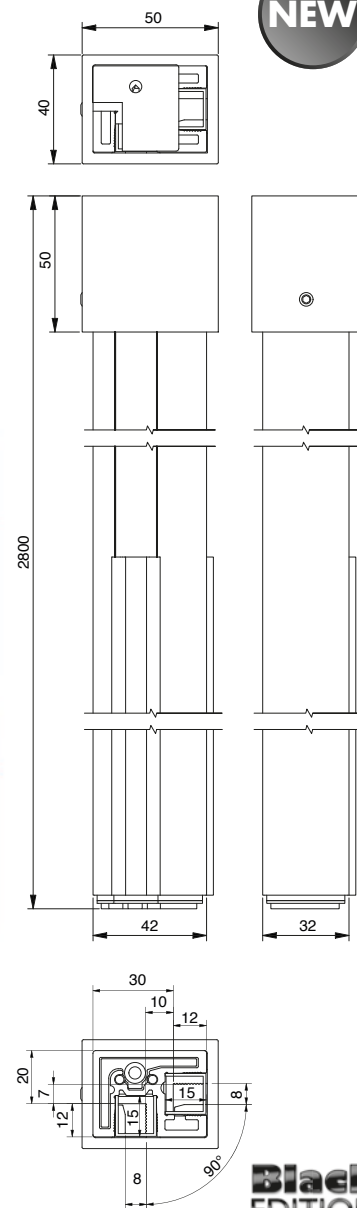
ceiling mount

U-profile
(above glass)
secure with silicone

glazing profile

floor mount
(screw version*)

floor mount
(bonding version)



WALK IN

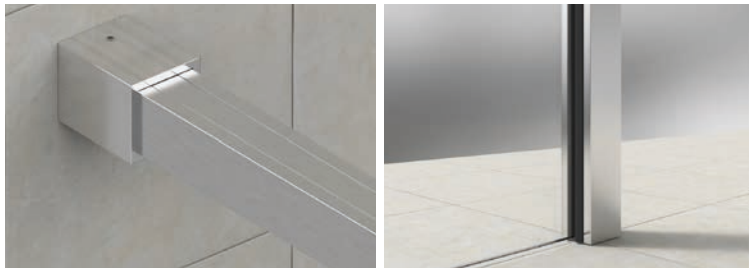
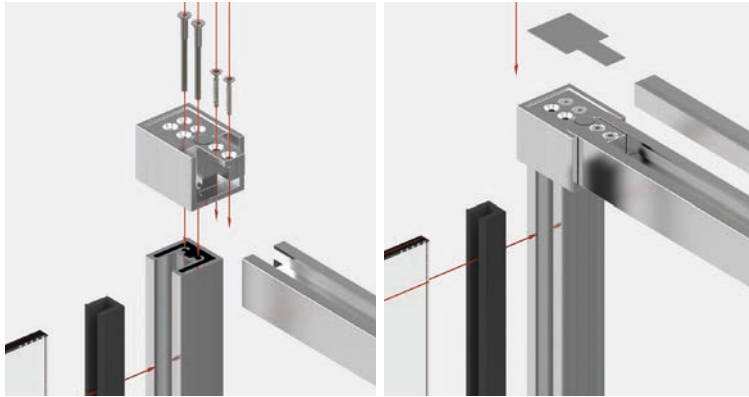
**Black
EDITION**

	article no.	finish	glass thickness	article description	length	pu/pieces
1	8888E6EV5-BD	aluminium gloss anodized	8 mm with glazing profiles or silicone seam	partition wall support floor-ceiling	2800 mm	1/1
	8888E3/50-BD	gloss chrome	10 mm with silicone seam	1 slot 15 x 15 mm		
	8888E123-BD	stainless steel optic	12 mm with silicone seam	U-profile as filler above the glass edge towards the ceiling		
	8888E6C35-BD	black anodized				
2	8888E6EV5-BD2N	aluminium gloss anodized	8 mm with glazing profiles or silicone seam	partition wall support floor-ceiling 90°	2800 mm	1/1
	8888E3/50-BD2N	gloss chrome	10 mm with silicone seam	2 slots 15 x 15 mm		
	8888E123-BD2N	stainless steel optic	12 mm with silicone seam	U-profile as filler above the glass edge towards the ceiling		
	8888E6C35-BD2N	black anodized				

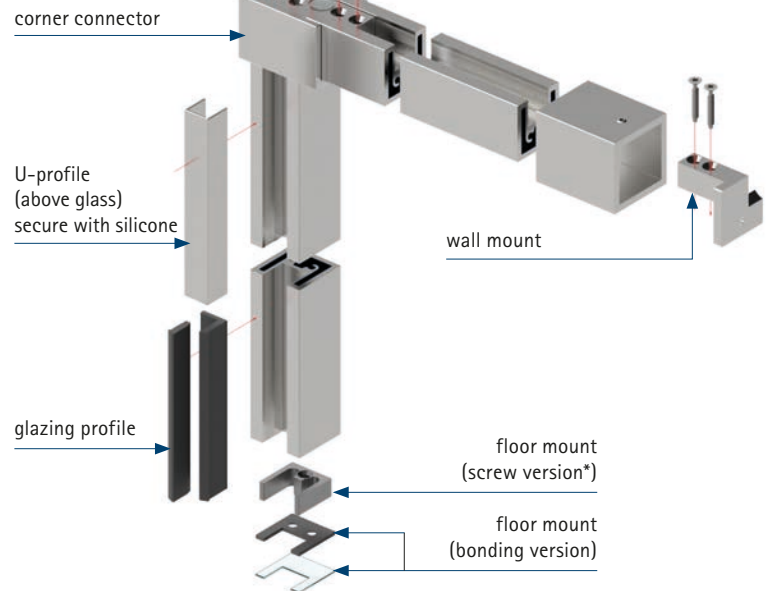
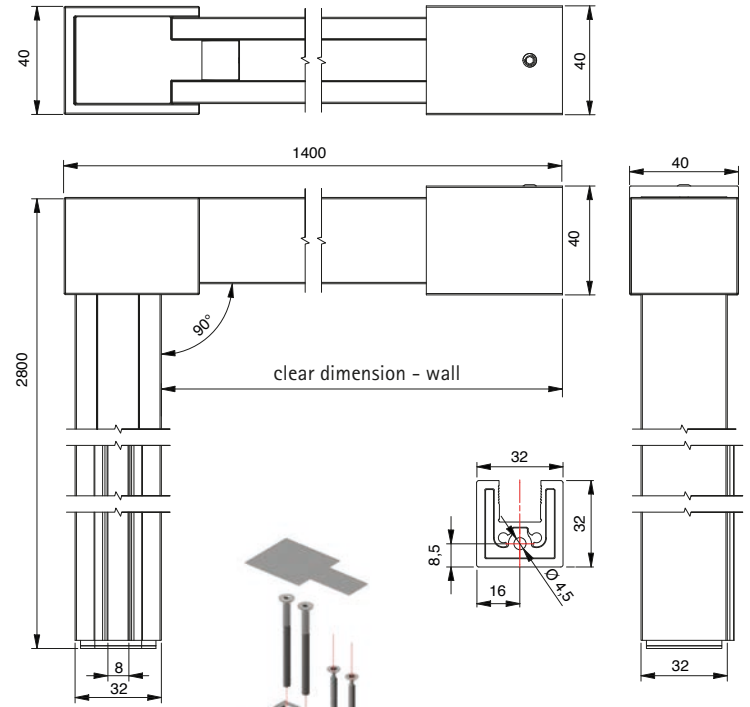
WALK-IN – system profile



version with one glass panel - mounted on the wall



3



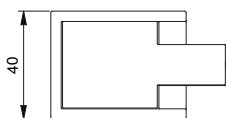
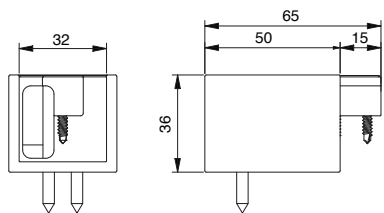
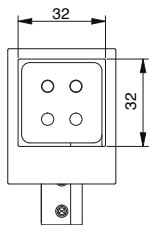
* To ensure that the water barrier in the bathroom is not violated by subsequent drilling of the lower fastening plate, the tiler should work the fastening adapter into the floor structure beforehand and apply the correct damp-proofing in accordance with the recognized guidelines for the respective stress class.



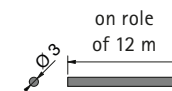
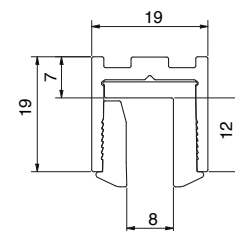
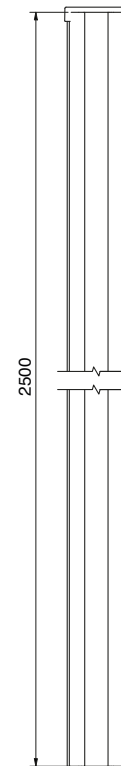
wall variation



4



5



8830-2Butyl-12M - optionally available
butyl cord Ø 3 mm, length 12 m,
as a seal to the wall without subsequent silicone seam

**Black
EDITION**

	article no.	finish	glass thickness	article description	length	pu/pieces
3	8888E6EV5-BW	aluminium gloss anodized	8 mm with glazing profiles or silicone seam	partition wall support floor-wall 1 slot 15 x 15 mm U-profile as filler above the glass edge towards the wall	2800 mm + 1400 mm	1/1
	8888E3/50-BW	gloss chrome	10 mm with silicone seam			
	8888E1/23-BW	stainless steel optic	12 mm with silicone seam			
	8888E6C35-BW	black anodized				
4	8888E3/50-EV	gloss chrome	8 mm with glazing profiles or silicone seam	corner connector partition wall support can be used left or right only in combination with 8888E0-BW partition wall support	-	1/1
	8888E1/23-EV	stainless steel optic	10 mm with silicone seam			
	8888E6C35-EV	black anodized	12 mm with silicone seam			
5	8830E6EV5-2500	aluminium gloss anodized	8 mm with glazing profiles or silicone seam	U-Profil 1 slot 15 x 15 mm maximum height 2500 mm can be shortened as desired	2500 mm	1/1
	8830E3/50-2500	gloss chrome	10 mm with silicone seam			
	8830E123-2500	stainless steel optic	12 mm with silicone seam			
	8830E6C35-2500	black anodized				

WALK IN

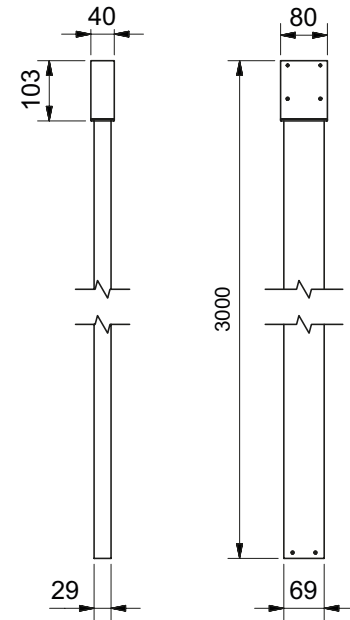
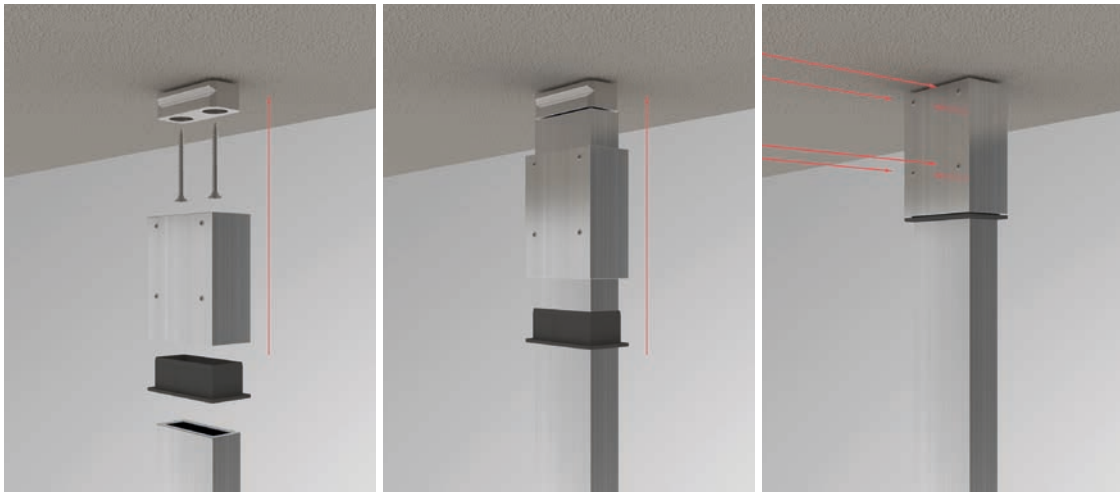


WALK IN

floor to ceiling expansion tube

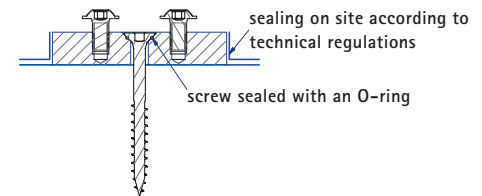
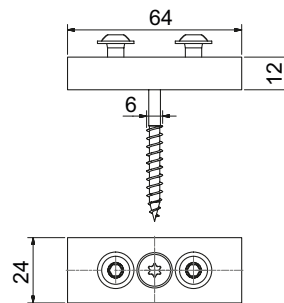
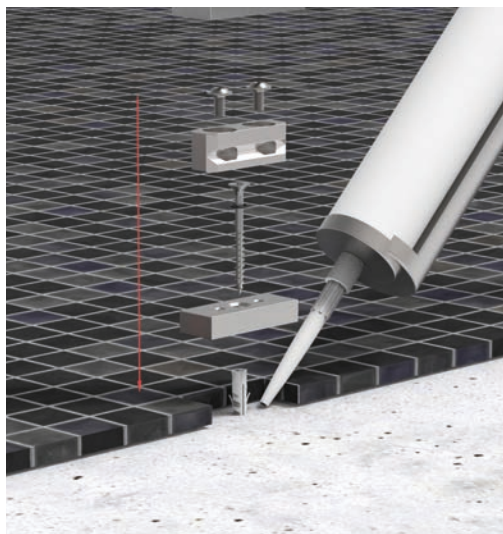
The ceiling to floor expansion tube is suitable for fastening door panels, angle brackets and u-profiles.

- surface finish: gloss anodized (E6/EV5)
- length: 3000mm
- tube can be cut to desired length
- tube 69x29mm



article no.	finishes	article description	features	pu/pieces
8885E6EV5-3000	gloss anodized	ceiling to floor expansion tube	material: aluminum, length: 3000 mm, tube 69x29 mm, material thickness: 5 mm tube can be cut to desired length	1/1

Note: when mounting door panels to partition wall posts, please refer to our application technology for possible door sizes. We're here to help!



article no.	finishes	article description	features	pu/pieces
8887E6EV1-12	aluminum optic	adapter plate	to ensure that the water barrier in the bath is not damaged by the subsequent drilling of the lower 1/1 mounting plate, the tiler should first install the fastening adapter on to the floor structure and carry out the correct moisture seal in accordance with the recognized guidelines.	1/1

WALK IN



WALK IN

wall connection profile

simple situations quickly solved

- profile available in 2000/2500 mm lengths
- simple assembly
- compensation of slanting walls up to approx. 20mm
- assembly of the glass in 8889-2E6EV5 can be carried out in the workshop
- concealed screws



content: 8889E6EV5-2000 (2500)



1x wall profile
8889-1E6EV5-2000(2500)



1x glass profile I
8889-2E6EV5-2000(2500)



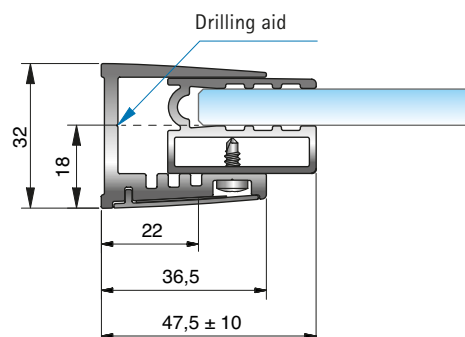
1x cover profile
8889-3E6EV5-2000(2500)



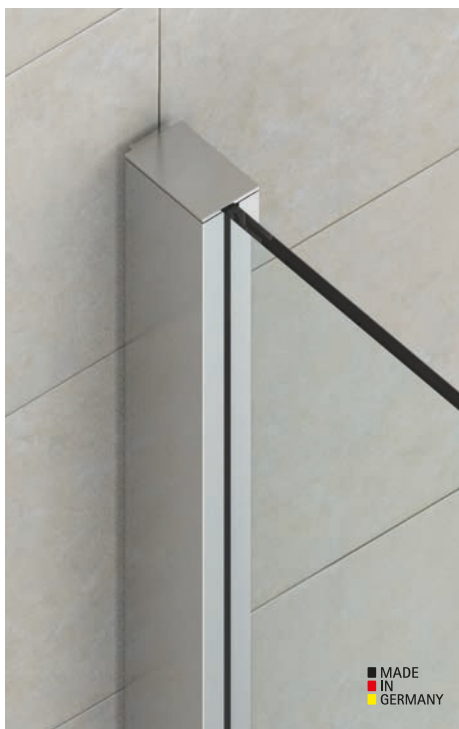
8x adhesive pad 501592
(for length 2000mm)
10x adhesive pad 501592
(for length 2500mm)



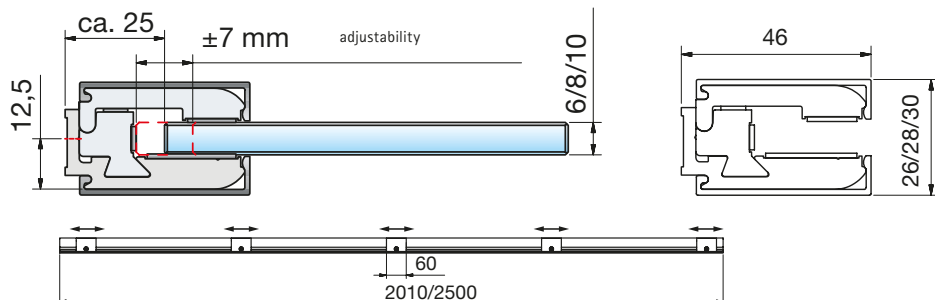
8x screw S9166A2D
3,5 x 9,5 mm (for length 2000mm)
10x screw S9166A2D
3,5x9,5 mm (for length 2500mm)



article no	finish	glass thickness	article description	length	pu/pieces
8889E6EV5-2000	aluminium	8 mm	wall connection profile	2000 mm	1/1
8889E6EV5-2500	polished and anodized			2500 mm	



single clamping jaws moveable along the entire profile length
2010 mm = 5 clamping jaws, 2500 mm = 6 clamping jaws



endcaps are not included in set!

article no.	finish	glass thickness	article description	pu/pieces
8884E1/23-2010-8	aluminium ground anodised nickel silver	6/8/10 mm	clamp profile	1/1
8884E1/23-2500-8	(stainless steel optic)			
8884E6EV1-2010-8	aluminium special etched anodised natural color			
8884E6EV1-2500-8				
8884E6EV1-5000-8				
8884E6EV5-2010-8	aluminium special etched anodised gloss chrome			
8884E6EV5-2500-8				

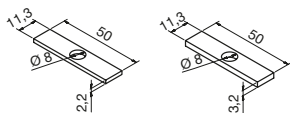
Please order the following sets for free:

for 6 mm glass thickness

8884-10ZN0-5-6 for 2010 mm / 8884-10ZN0-6-6 for 2500mm / 8884-10ZN0-6-6 for 5000 mm - 2x per profile

for 10 mm glass thickness

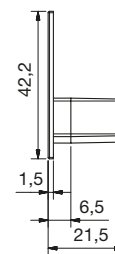
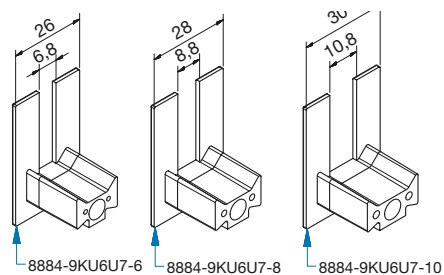
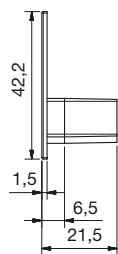
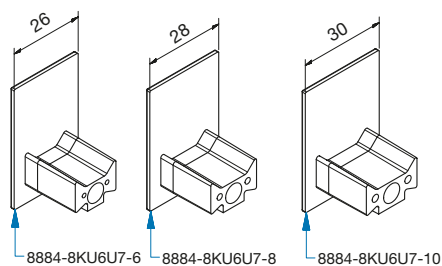
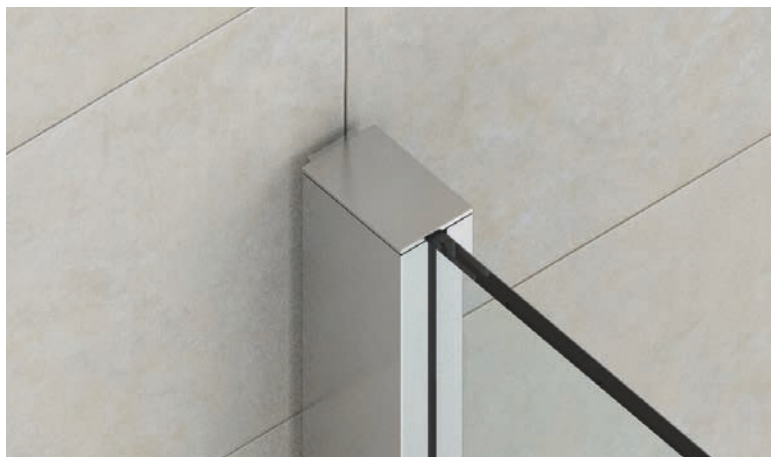
8884-10ZN0-5-10 for 2010 mm / 8884-10ZN0-6-10 for 2500 mm / 8884-10ZN0-6-10 for 5000 mm - 2x per profile



article no.	material	article description
8885HZ	Hartzell	intermediate shims for 8884

intermediate shims for 8884 to remove any unevenness in the wall, 5 pieces per thickness are supplied with the set. unevenness can be removed from 2 mm in 1-mm stages through combining and/or doubling.



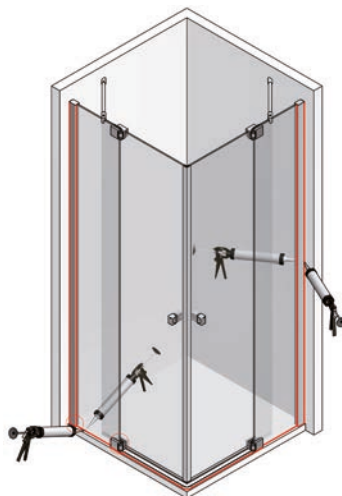


article no.	finish	glass thickness	article description	pu/pieces
8884-8KU6U7-6	*	6 mm	end cap for clamping profile 8884, closed	1/1
8884-8KU22-6	**			
8884-8KU6U7-8	*	8 mm		
8884-8KU22-8	**			
8884-8KU6U7-10	*	10 mm		
8884-8KU22-10	**			

* KU6U7 is for E6/EV1 and E6/EV5

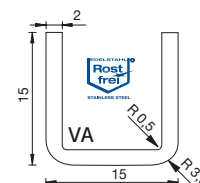
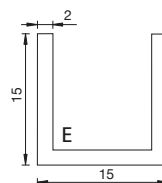
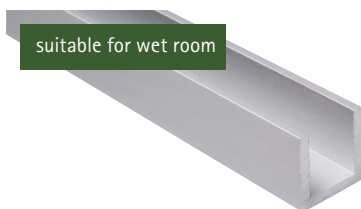
** KU22 is for E1/23

article no.	finish	glass thickness	article description	pu/pieces
8884-9KU6U7-6	*	6 mm	end cap for clamping profile 8884, notched	1/1
8884-9KU22-6	**			
8884-9KU6U7-8	*	8 mm		
8884-9KU22-8	**			
8884-9KU6U7-10	*	10 mm		
8884-9KU22-10	**			



Note:

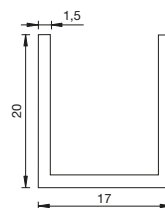
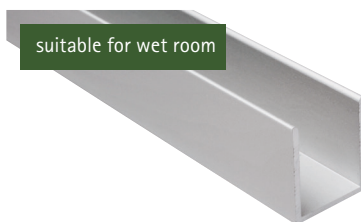
The clamp profile as well as the glass of the shower must be silicone sealed.



**Black
EDITION**

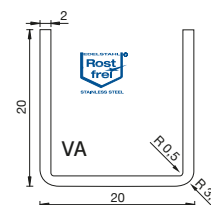
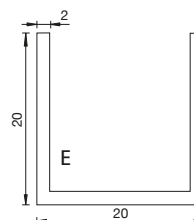
article no.	finish	plate thickness	article description	pu/pieces
5015VA1-2500	stainless steel polished	≤ 10 mm	u-profile, 15x15x2500x2 mm	1/1
5015VA2-2500	stainless steel			
5015VA1-5M	stainless steel polished	≤ 10 mm	u-profile, 15x15x5.000x2 mm	1/1
5015VA2-5M	stainless steel			
5015E6EV1-5M	aluminium natural-colored anodized			
5015E6EV5-5M	aluminium polished and anodized			
5015E1/22-5M	aluminium anodized stainless steel optic			
5015E3/50-5M	aluminium gloss chrome			
5015E0/14-5M	aluminium powder-coated RAL9016			
5015E6C35-5M	aluminium black anodized			

NEW



article no.	finish	plate thickness	article description	pu/pieces
5017E6EV1-5M	aluminium natural-colored anodized	≤ 14 mm	u-profile, 20x17x5000x1,5 mm	1/1
5017E1/22-5M	aluminium anodized stainless steel optic			
5017E6EV5-5M	aluminium polished and anodized			
5017E3/50-5M	aluminium gloss chrome			
5017E0/14-5M	aluminium powder-coated RAL9016			

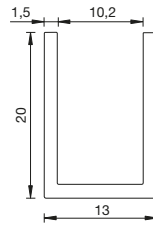
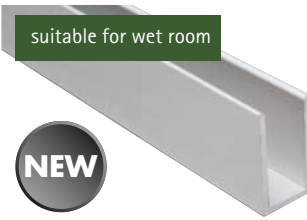
WALK IN



article no.	finish	plate thickness	article description	pu/pieces
5020VA1-2500	stainless steel polished	≤ 16 mm	u-profile, 20x20x2500x2 mm	1/1
5020VA2-2500	stainless steel			
5020VA1	stainless steel polished	≤ 16 mm	u-profile, 20x20x5000x2 mm	1/1
5020VA2	stainless steel			
5020E6/EV1	aluminium natural-colored anodized			
5020E1/22	aluminium anodized stainless steel optic			
5020E3/50	aluminium gloss chrome			
5020E0/14	aluminium powder-coated RAL9016			

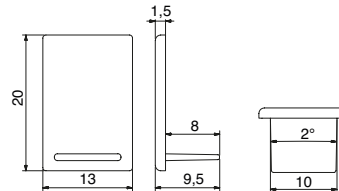
*Attention: For profiles with the surface E3/50 the cut edges must be sealed very well in wet rooms!

Contacting (anodizing & coating): Due to the process technology, the profile ends (20-50mm) may have contact marks due to the necessary contacting. When ordering fixed lengths (5m), this must be taken into account.



Black EDITION **Gold** EDITION

article no.	finish	plate thickness	article description	pu/pieces
8841E6EV5-2010	aluminium polished and anodized	6-10 mm	u-profile 20x13x2010x1,5 mm	1/1
8841E6EV5-2500	aluminium polished and anodized		u-profile 20x13x2500x1,5 mm	
8841E6EV1-5M	aluminium natural-colored anodized		u-profile 20x13x5000x1,5 mm	
8841E123-5M	aluminium anodized stainless steel optic			
8841E3/50-5M	aluminium gloss chrome*			
8841E6C35-5M	aluminium black anodized			
8841E122-5M	aluminium anodized stainless steel finish			
8841E3EV3-5M	gold optic			



article no.	finish	article description	pu/pieces
8841-2KU6U7	natural-colored anodized (gloss chrome)	end cap for profile 8841, closed	1/1

***Attention:** For profiles with the surface E3/50 the cut edges must be sealed very well in wet rooms!
 Contacting (anodizing & coating): Due to the process technology, the profile ends (20-50mm) may have contact marks due to the necessary contacting. When ordering fixed lengths (5m), this must be taken into account.

accessories

article no.	article description	pu/pieces
7269KL-9-5M	double-sided adhesive tape, transparent, thickness 2 mm	1/1
7269KL-11-5M		
7269KL-15-5M		
7269KL-19-5M		
7269KL-23-5M		

Important note:

Only as sealing or assembly aid. Despite the high adhesive strength, these do not replace mechanical fastening (screws).





accessories

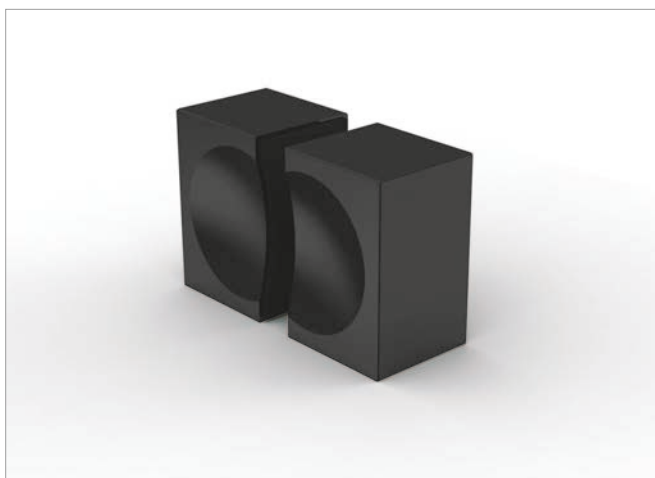
■ accessories

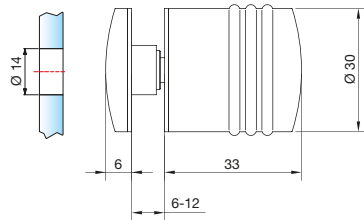


accessories

Of course, Pauli is also offering the suitable accessories for all of our shower hinges and -systems. Knobs, towel- and stabilizer bars - all are aligned and compatible to each other. Everything is well matched and

can be chosen freely. Additionally, we offer the right sealing profiles and splash guards for every situation. any more questions? Contact us - we will be glad to assist you!

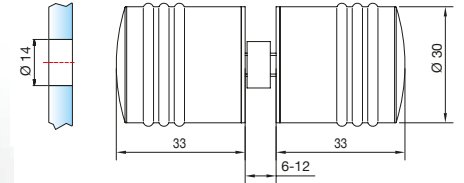




Black **Gold**
EDITION EDITION

article no.	finish	glass thickness	article description	pu/pieces
8299MS7	gloss chrome	6-12 mm	glass door knob	1/1
8299MS10	matt chrome		one sided	
8299MSPVD22	stainless steel optic			

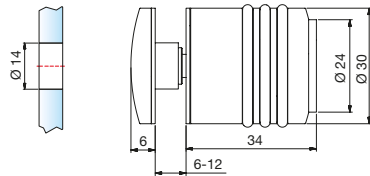
DESIGNED
IN
GERMANY



Black **Gold**
EDITION EDITION

article no.	finish	glass thickness	article description	pu/pieces
8298MS7	gloss chrome	6-12 mm	glass door knob	1/1
8298MS10	matt chrome		double sided	
8298SPVD22	stainless steel optic			
8298MS35	RAL9005 black matt			
8298MS36	RAL9005 black gloss			

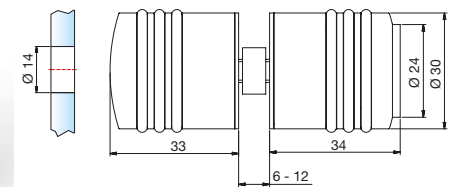
DESIGNED
IN
GERMANY



Black
EDITION

article no.	finish	glass thicken.	article description	pu/pieces
8293MS7	gloss chrome	6-12 mm	glass door knob	1/2
8293MS10	matt chrome		one sided, with	
8293MSPVD22	stainless steel optic		rubber stop	
8293MSPVD35-A	black matt			
8293MSPVD36-A	black bright			

DESIGNED
IN
GERMANY

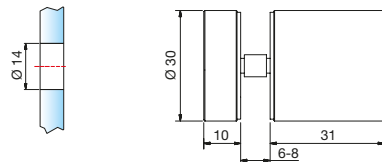


Black **Gold**
EDITION EDITION

article no.	finish	glass thickness	article description	pu/pieces
8294MS7	gloss chrome	6-12 mm	glass door knob	1/1
8294MS10	matt chrome		double sided with	
8294MSPVD22	stainless steel optic		rubber stop	
8294MSPVD35-A	black matt			
8294MSPVD36-A	black bright			

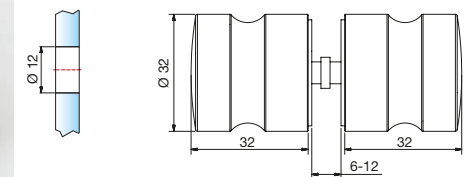
DESIGNED
IN
GERMANY

The O-rings can be removed for cleaning purposes. Special "fixed O-rings" for the object area can be ordered separately using article number 8298-4KU.



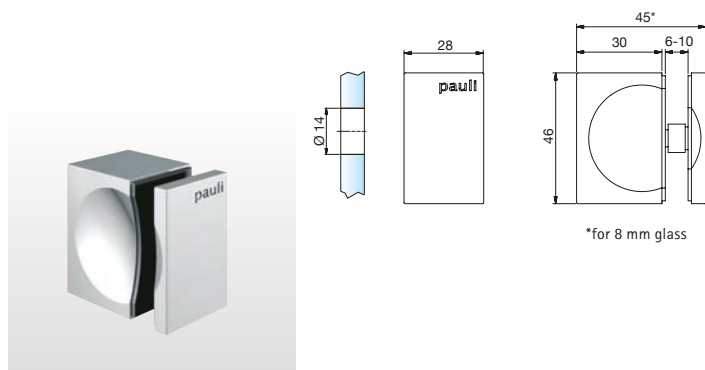
article no.	finish	glass thickness	article description	pu/pieces
8502VA	stainless steel	6-8 mm	glass door knob	1/1
			single sided	

MADE
IN
GERMANY

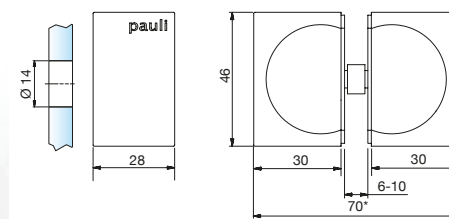


article no.	finish	glass thickness	article description	pu/pieces
8288MS7	gloss chrome	6-12 mm	glass door knob	1/10
			double sided	

DESIGNED
IN
GERMANY



*for 8 mm glass



*for 8 mm glass

Black Edition **Gold Edition**

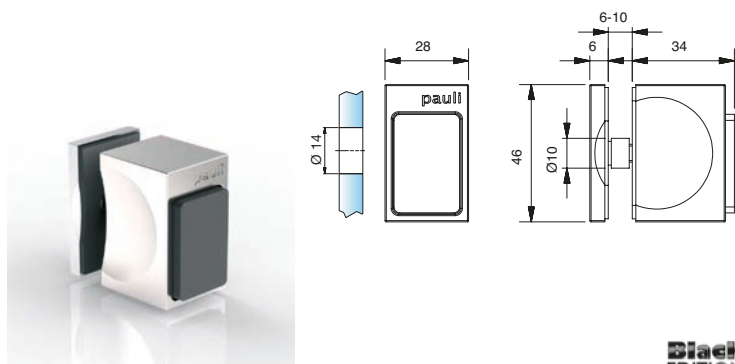
article no.	finish	glass thickness	article description	pu/pieces
8275MS7	gloss chrome	6-10 mm	glass door knob	1/1
8275MS10	matt chrome		one sided	
8275MSPVD22	stainless steel optic			

NEW

DESIGNED
IN
GERMANY

article no.	finish	glass thickness	article description	pu/pieces
8278MS7	gloss chrome	6-10 mm	glass door knob	1/1
8278MS10	matt chrome		double sided	
8278MSPVD22	stainless steel optic			
8278MS5-A	gloss nickel	6-10 mm	glass door handle	1/1
8278MSPVD20-A	gold optic		without logo	
8278MS7-A	gloss chrome			
8278MSPVD35-A	black matt			
8278MSPVD36-A	black gloss			

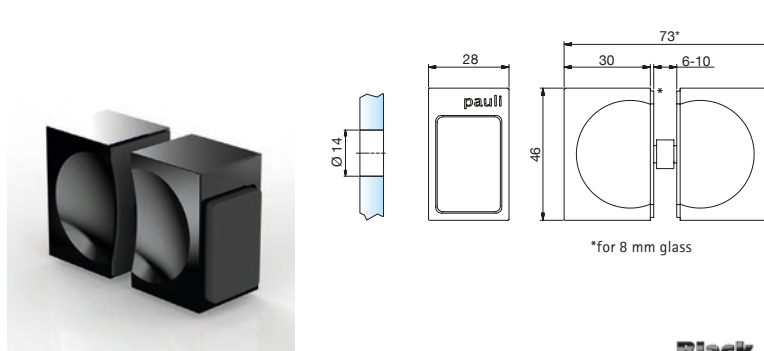
DESIGNED
IN
GERMANY



Black Edition

article no.	finish	glass thckn.	article description	pu/pieces
8271MS7	gloss chrome	6-10 mm	glass door knob	1/2
8271MS10	matt chrome		with rubber stop	
8271MSPVD22	stainless steel optic		one sided	
8271MSPVD35-A	black matt			
8271MSPVD36-A	black bright			

DESIGNED
IN
GERMANY



*for 8 mm glass

Black Edition

article no.	finish	glass thickness	article description	pu/pieces
8273MS7	gloss chrome	6-10 mm	glass door knob	1/2
8273MS10	matt chrome		double sided with	
8273MSPVD22	stainless steel optic		rubber stop	
8273MSPVD35-A	black matt			
8273MSPVD36-A	black bright			

DESIGNED
IN
GERMANY



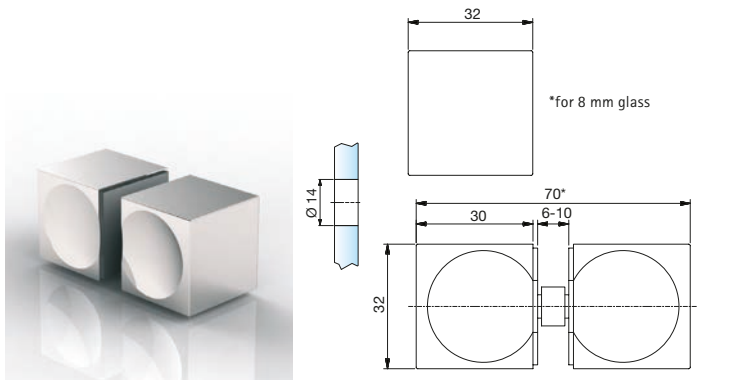
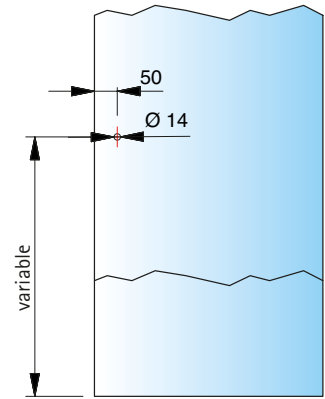
hole spacing for:



8273MS

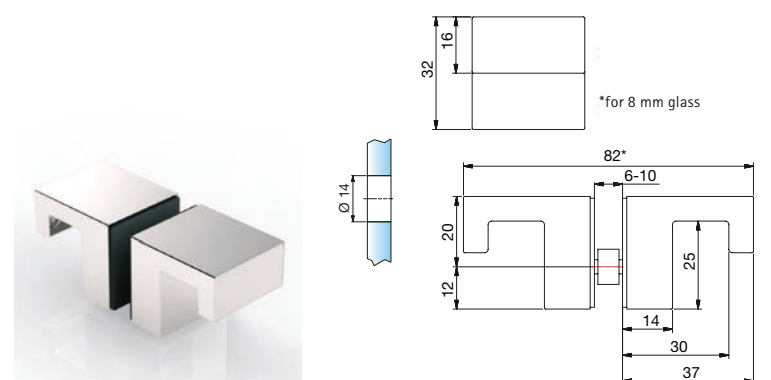


8271MS



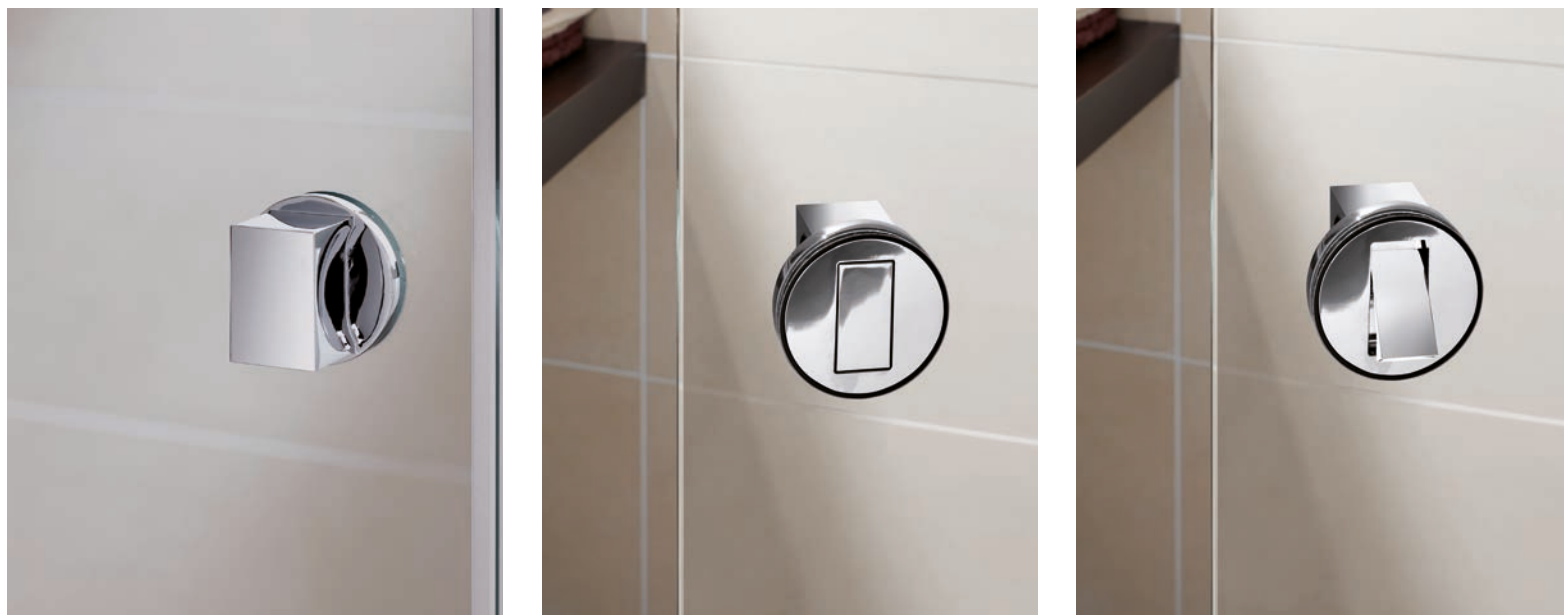
article no.	finish	glass thickness	article description	pu/pieces
8378MS7	gloss chrome	6-10 mm	glass door knob double sided	1/1

DESIGNED
IN
GERMANY

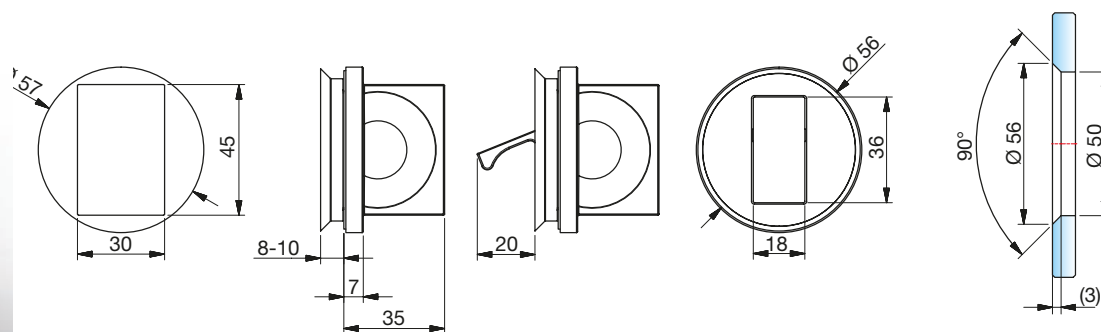


article no.	finish	glass thickness	article description	pu/pieces
8252MS7	gloss chrome	6-10 mm	glass door knob double sided	1/1

DESIGNED
IN
GERMANY



accessories

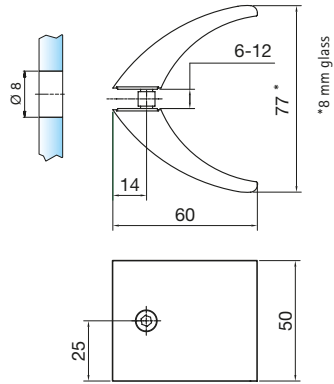


Black
EDITION

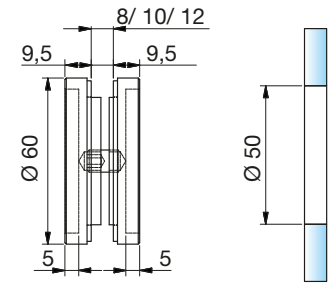
article no.	finish	glass thickness	article description	pu/pieces
8379MS7	gloss chrome	8-10 mm	glass door knob, flush	1/1
8379MS10	matt chrome		with pull flap	
8379MSPVD22	stainless steel optic			
8379ZNPVD35	black matt			
8379ZNPVD36	black gloss			

MADE
IN
GERMANY





Black Gold EDITION



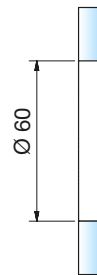
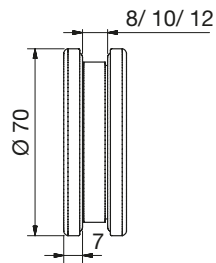
article no.	finish	glass thicken.	article description	pu/pieces	article no.	finish	glass thicken.	article description	pu/pieces
8297MS5-50	gloss nickel	6-12 mm	glass door handle	1/1	8514MS7	gloss chrome	8/10/12 mm	recess knob closed	1/1
8297MS7-50	gloss chrome		double sided		8514VA	stainless steel		Ø 60 mm, raised 9,5 mm	
8297MS10-50	matt chrome								
8297MSPVD22-50	stainless steel optic								
8297MSPVD20-50	gold optic								
8297MSPVD35-50	black matt								
8297MSPVD36-50	black gloss								
8297MS35-50	RAL9005 black matt								
8297MS36-50	RAL9005 black gloss								

DESIGNED IN GERMANY

MADE IN GERMANY

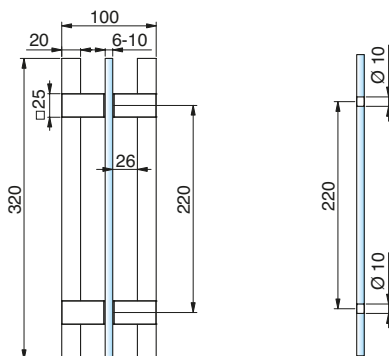
NEW

accessories



article no.	finish	glass thickness	article description	features	pu/pieces
32028VA-8	stainless steel	8 mm	recess knob, open, threaded	Ø 70 mm, raised, 7 mm	1/1
32028VA-10		10 mm			
32028VA-12		12 mm			

MADE IN GERMANY

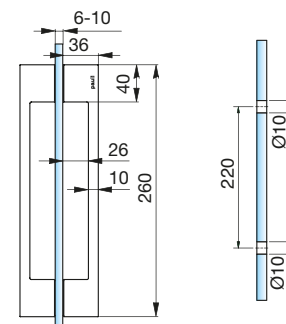
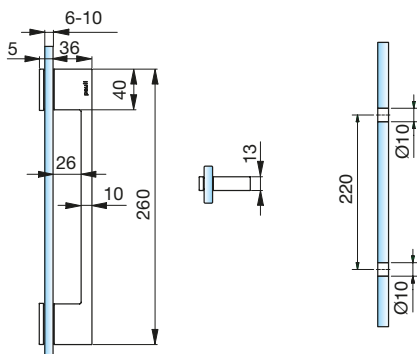


Black Gold
EDITION EDITION

article no.	finish	glass thickness	article description	pu/pieces
8373MS5-HEM	gloss nickel/ wood (hemlock)	6-10 mm	glass door handle for sauna	1/1
8373MS7-HEM	gloss chrome/ wood (hemlock)			
8373MS10-HEM	matt chrome// wood (hemlock)			
8373MSPVD22-HEM	stainless steel optic/ wood (hemlock)			
8373MSPVD20-HEM	gold optic/ wood (hemlock)			
8373MSPVD35-HEM	black matt/ wood (hemlock)			
8373MSPVD36-HEM	black gloss/ wood (hemlock)			

DESIGNED
IN
GERMANY

accessories



Black Gold
EDITION EDITION

article no.	finish	glass thickness	article description	pu/pieces
8276ZN5	gloss chrome	6-10 mm	glass door handle	1/1
8276ZN1	matt chrome		single sided	
8276ZNPVD22	stainless steel optic			

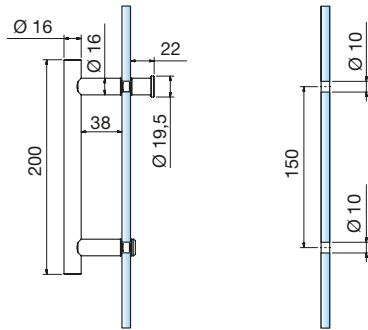
NEW

article no.	finish	glass thickness	article description	pu/pieces
8277ZN5	gloss chrome	6-10 mm	glass door handle	1/1
8277ZN1	matt chrome		double sided	
8277ZNPVD22	stainless steel optic			
8277ZN10	gloss nickel			
8277ZN5-A	gloss chrome	6-10 mm	glass door handle	1/1
8277ZN1-A	matt chrome		double sided	
8277ZNPVD22-A	stainless steel optic		without logo	
8277ZNPVD35-A	black matt			
8277ZNPVD36-A	black gloss			
8277ZN35-A	RAL9005 black matt			
8277ZN36-A	RAL9005 black gloss			

MADE
IN
GERMANY

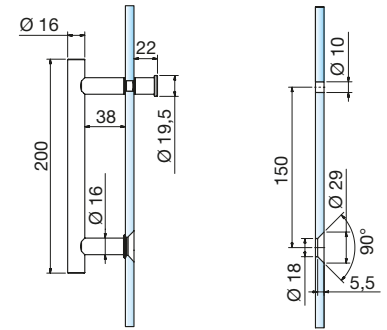
MADE
IN
GERMANY





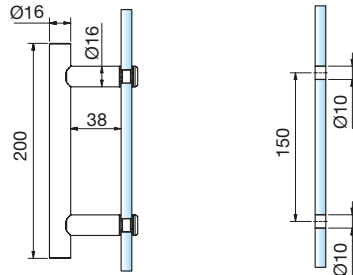
article no.	finish	glass thickness	article description	pu/pieces
8065VA-200	stainless steel	6-10 mm	door handle single sided raised head, with handle piece	1/1
8065VA1-200	stainless steel polished			

DESIGNED IN GERMANY



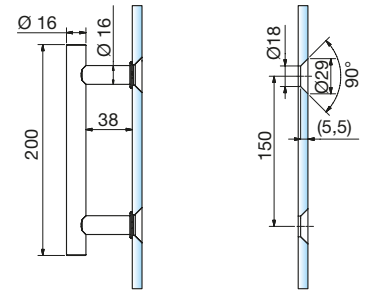
article no.	finish	glass thickness	article description	pu/pieces
8066VA-200	stainless steel	8-10 mm	door handle single sided flush, with handle piece	1/1
8066VA1-200	stainless steel polished			

DESIGNED IN GERMANY



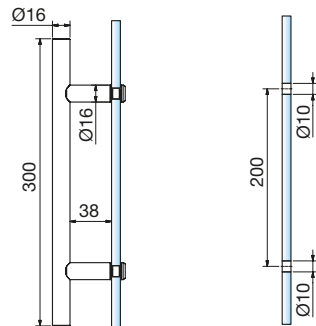
article no.	finish	glass thickness	article description	pu/pieces
8061VA-200	stainless steel	6-10 mm	door handle single sided raised head	1/1
8061VA1-200	stainless steel polished			

DESIGNED IN GERMANY



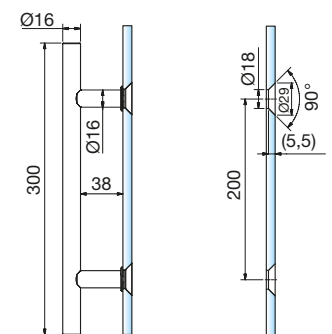
article no.	finish	glass thickness	article description	pu/pieces
8062VA-200	stainless steel	8-10 mm	door handle single sided flush	1/1
8062VA1-200	stainless steel polished			

DESIGNED IN GERMANY



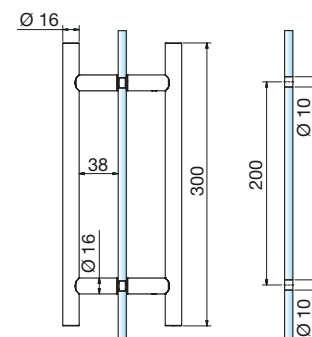
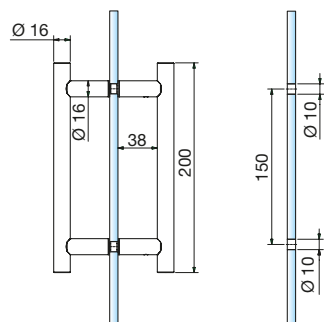
article no.	finish	glass thickness	article description	pu/pieces
8061VA-300	stainless steel	6-10 mm	door handle single sided raised head	1/1
8061VA1-300	stainless steel polished			

DESIGNED IN GERMANY



article no.	finish	glass thickness	article description	pu/pieces
8062VA-300	stainless steel	8-10 mm	door handle single sided flush	1/1
8062VA1-300	stainless steel polished			

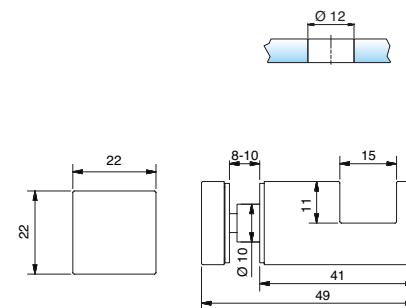
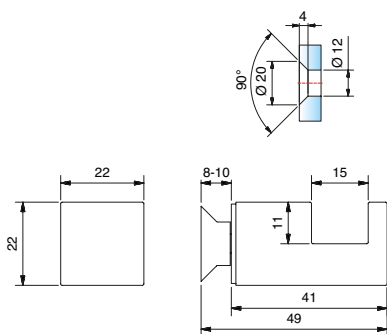
DESIGNED IN GERMANY



article no.	finish	glass thickness	article description	pu/pieces
8060VA-200	stainless steel	6-10 mm	glass door handle	1/1
8060VA1-200	stainless steel polished		double sided	■ DESIGNED ■ IN ■ GERMANY

article no.	finish	glass thickness	article description	pu/pieces
8060VA-300	stainless steel	6-10 mm	glass door handle	1/1
8060VA1-300	stainless steel polished		double sided	■ DESIGNED ■ IN ■ GERMANY



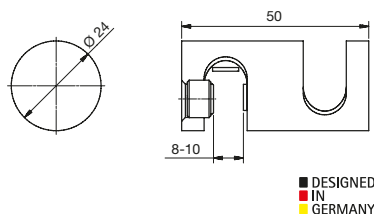


article no.	finish	glass thickn.	article description	pu/pieces
8376MS7	gloss chrome	8-10 mm	towel holder	1/1
8376MS10	matt chrome		flush	
8376MSPVD22	stainless steel optic			DESIGNED IN GERMANY
8376MSPVD20	gold optic			
8376MSPVD35	black matt			
8376MSPVD36	black bright			

article no.	finish	glass thickn.	article description	pu/pieces
8377MS7	gloss chrome	8-10 mm	towel holder	1/1
8377MS10	matt chrome		raised	
8377MSPVD22	stainless steel optic			DESIGNED IN GERMANY
8377MSPVD20	gold optic			
8377MSPVD35	black matt			
8377MSPVD36	black bright			

accessories

mounted onto the glass edge, no glass processing necessary

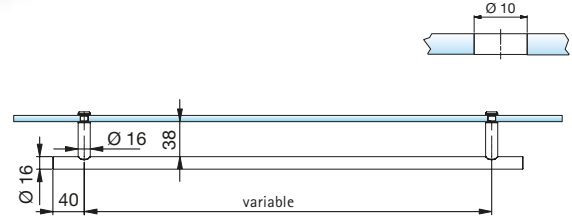


DESIGNED IN GERMANY

article no.	finish	glass thickness	article description	pu/pieces
8696MS7	gloss chrome	8-10 mm	towel holder	1/1
8696MS10	matt chrome			
8696MSPVD22	stainless steel optic			



length variable up to 1000 mm
 please include axis dimension in the order
 longer length upon request.

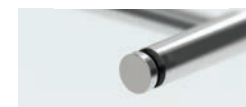
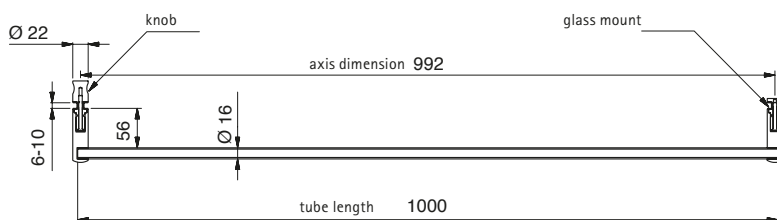
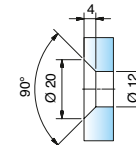


article no.	finish	glass thickness	article description	pu/pieces
8063VA-V	stainless steel	6-10 mm	towel bar	1/1
8063VA1-V	stainless steel polished		for glass, raised head	

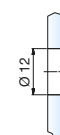
MADE
 IN
 GERMANY



with 8687VA-F
counter sunk drilling with flush glass
connection (8-10 mm)

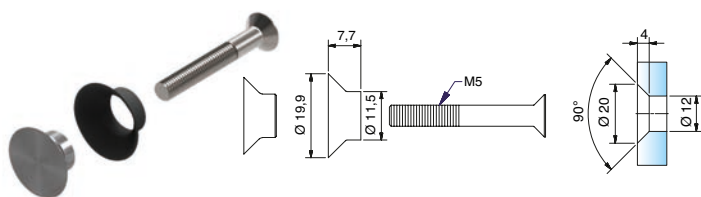


glass drilling for raised head (6-10
mm)



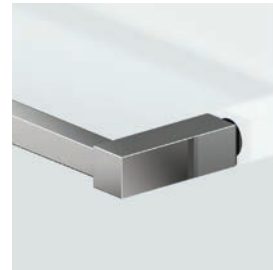
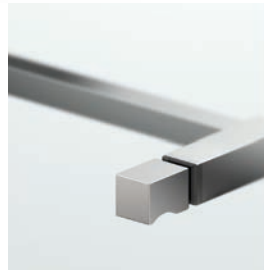
article no.	finish	glass thickness	article description	features	pu/pieces
8687MS7-1000	gloss chrome/ tube with special pickled aluminum/polished and anodized	6-10 mm	towel bar with knob, with various attachments	with glass mount and knob length (1000 mm) cuttable to size	1/1

DESIGNED
IN
GERMANY



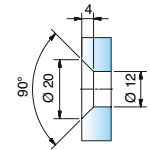
article no.	finish	glass thickness	article description	pu/pieces
8687VA-F	stainless steel	8-10 mm	flush fixtures for 8687/8689	1/1

DESIGNED
IN
GERMANY

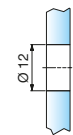


with 8687VA-F

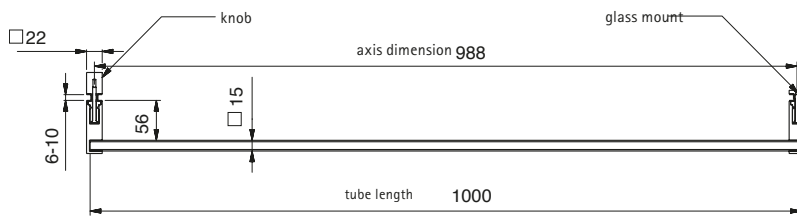
counter sunk drilling with flush glass connection (8-10 mm)



glass drilling for raised head (6-10 mm)



**Gold
EDITION**

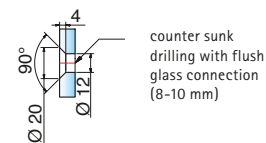
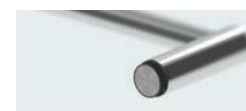


article no.	finish	glass thickness	article description	features	pu/pieces
8689MS7-1000	gloss chrome/ tube with special pickled aluminum/polished and anodized	6-10 mm	towel bar with knob, with various attachments	with glass mount and knob length (1000 mm) cuttable to size	1/0
8689MSPVD20-1000	gold optic				

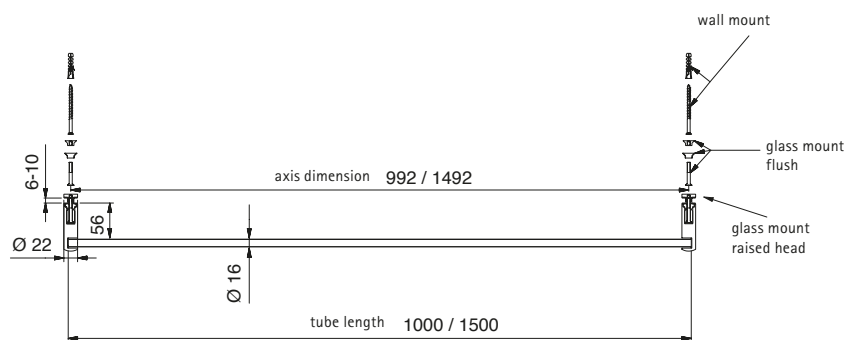
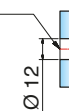
DESIGNED
IN
GERMANY



wall mount



glass drilling for raised head (6-10 mm)

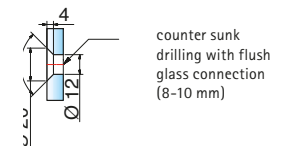


article no.	finish	glass thickness	article description	features	pu/pieces
8686MS7-1000	gloss chrome/ tube with special pickled aluminum/polished and anodized	6-10 mm	towel bar with various attachments	with glass mount and wall mount (raised head or flush) length (1000/1500 mm) cuttable to size	1/1

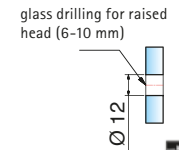
DESIGNED
IN
GERMANY



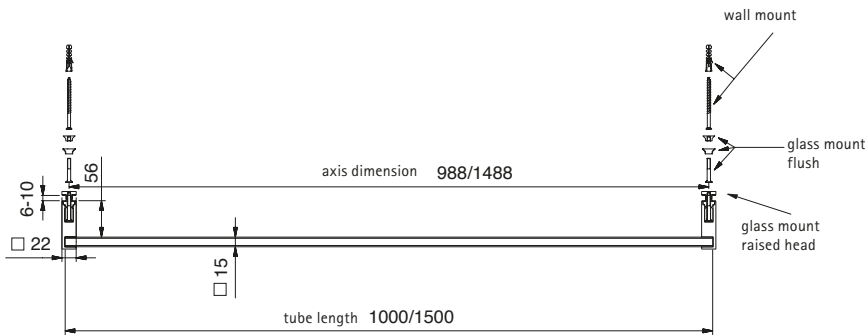
wall mount



counter sunk drilling with flush glass connection (8-10 mm)



glass drilling for raised head (6-10 mm)



accessories

**Black
EDITION**

article no.	finish	glass thickness	article description	features	pu/pieces
8688MS7-1000 8688MS7-1500	gloss chrome/ tube with special pickled aluminum/polished and anodized	6-10 mm	towel bar with various attachments	with glass mount and wall mount (raised head or flush) length (1000/1500 mm) cuttable to size	1/1
8688MSPVD35-1000 8688MSPVD36-1000	black matt black gloss				
8688MS5-1000	gloss nickel				

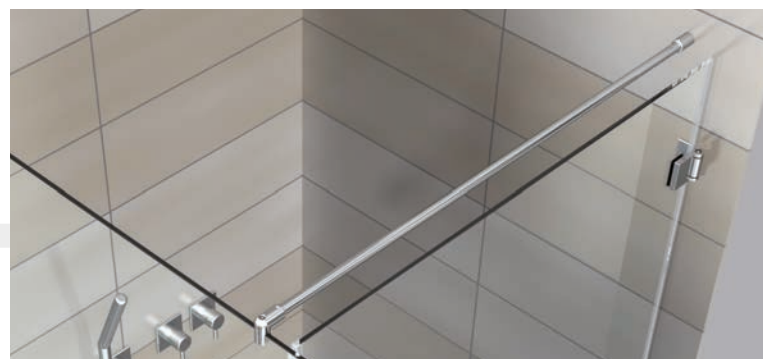
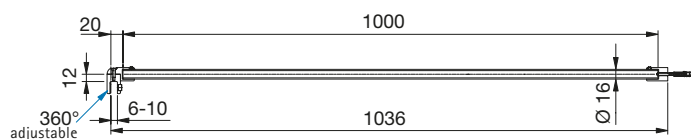
DESIGNED
IN
GERMANY

matching tube in brass gloss chrome for 8688MS7 and 8689MS7 can be found on page 276.

accessories – stabilizer bars



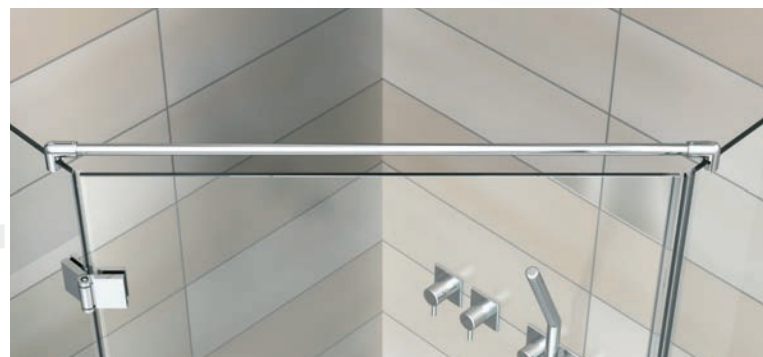
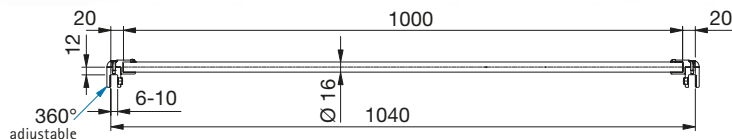
length 1000 mm, cuttable to size



article no.	finish	glass thickness	article description	pu/pieces
8444MS7-1000	gloss chrome tube with special pickled aluminum/ polished and anodized	6-10 mm	stabilizer bar glass-wall	1/1

DESIGNED
IN
GERMANY

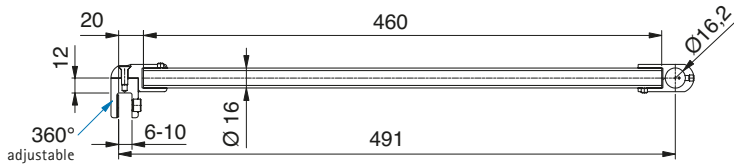
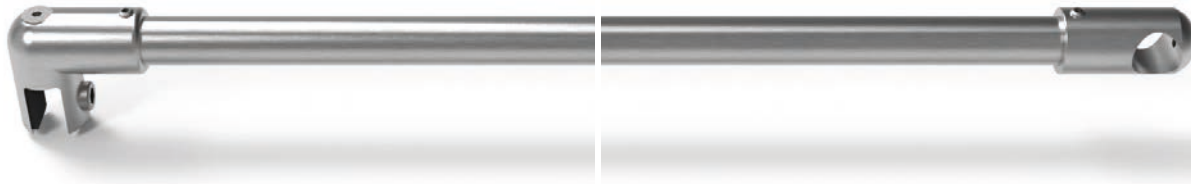
length 1000 mm, cuttable to size



article no.	finish	glass thickness	article description	pu/pieces
8445MS7-1000	gloss chrome tube with special pickled aluminum/ polished and anodized	6-10 mm	stabilizer bar glass-glass	1/1

DESIGNED
IN
GERMANY

length 460 mm, cuttable to size

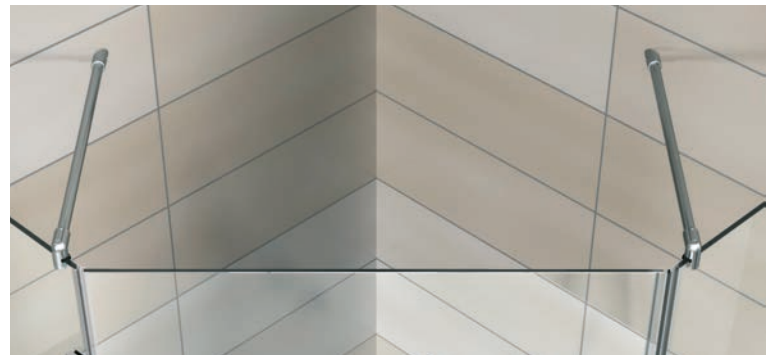
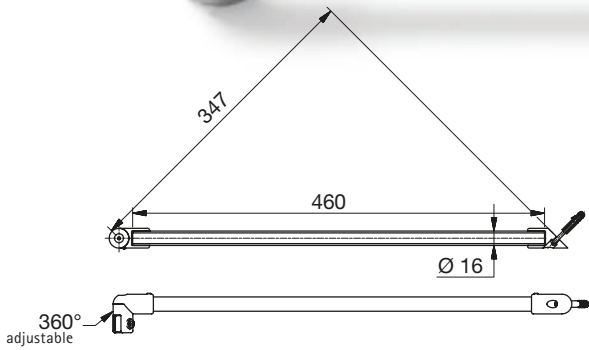
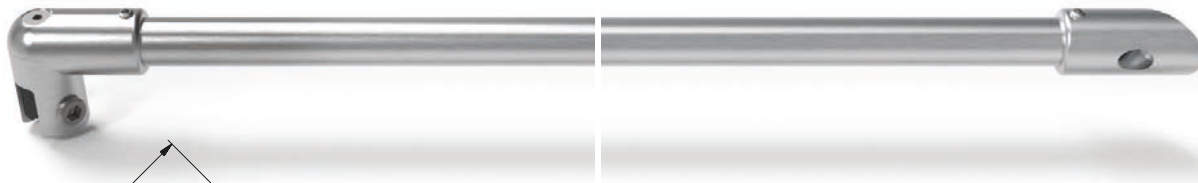


article no.	finish	glass thickness	article description	pu/pieces
8447MS7-460	gloss chrome tube with special pickled aluminum/ polished and anodized	6-10 mm	stabilizer bar glass-T-shaped adapter	1/1

DESIGNED
IN
GERMANY

accessories

length 460 mm, cuttable to size

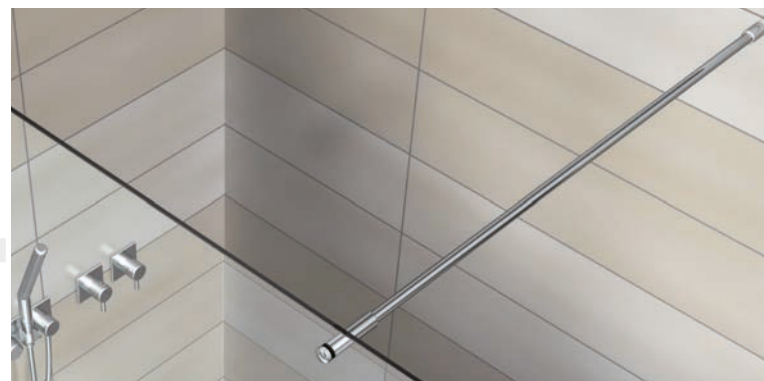
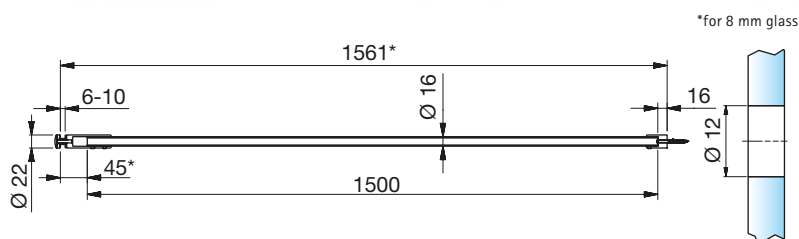


article no.	finish	glass thickness	article description	pu/pieces
8446MS7-460	gloss chrome tube with special pickled aluminum/ polished and anodized	6-10 mm	stabilizer bar glass-wall 45°	1/1

DESIGNED
IN
GERMANY

accessories – stabilizer bars

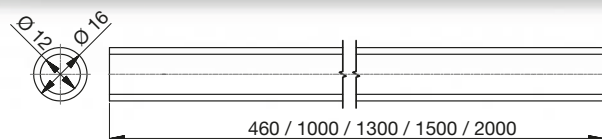
length 1500 mm, cuttable to size fixation with through borehole at the glass



article no.	finish	glass thickness	article description	pu/pieces
8448MS7-1500	gloss chrome finish	6-10 mm	stabilizer bar glass-wall	1/1
	tube with special pickled aluminum/ polished and anodized			

DESIGNED
IN
GERMANY

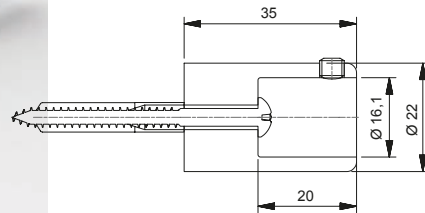
tube length cuttable to size



article no.	finish	length	article description	pu/pieces
8444-1E6EV5-460	tube with special	460 mm	stabilizer bar, tube Ø16 mm	1/1
8444-1E6EV5-1000	pickled aluminum/	1000 mm		
8444-1E6EV5-1500	polished and anodized	1500 mm		
8444-1E6EV5-2000		2000 mm		
8444-1E6EV1-1000	Aluminum (anodised silver)	1000 mm		1/1
8444-1E6EV1-1500		1500 mm		1/1
8444-1MS7-1000	gloss chrome	1000 mm		1/1

DESIGNED
IN
GERMANY

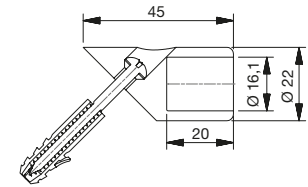
for tube Ø 16 mm



article no.	finish	glass thickn.	article description	pu/pieces
8444MS7-W	gloss chrome	-	wall adapter 90° for stabilizer bar	1/1
8444MS10-W	matt chrome			

DESIGNED IN GERMANY

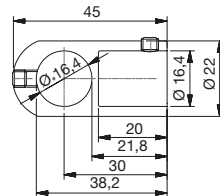
for tube Ø 16 mm



article no.	finish	glass thickn.	article description	pu/pieces
8446MS7-W45	gloss chrome	-	wall adapter 45° for stabilizer bar	1/1
8446MS10-W45	matt chrome			

DESIGNED IN GERMANY

for tube Ø 16 mm



article no.	finish	glass thickn.	article description	pu/pieces
8447MS7-T	gloss chrome	6-10 mm	T-adapter for stabilizer bar	1/1
8447MS10-T	matt chrome			

DESIGNED IN GERMANY

every adapter is compatible with 8444MS7, 8445MS7, 8446MS7, 8447MS7, 8448MS7, 8444-1E6EV5

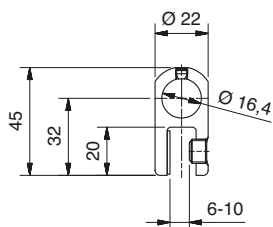


8444MS7-1000 with 8447MS7-460

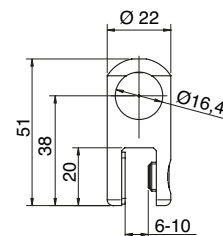
For the stability of the shower, we recommend that you do not install the round or square support bar longer than 1200 mm.



for tube Ø 16 mm



for tube Ø 16 mm



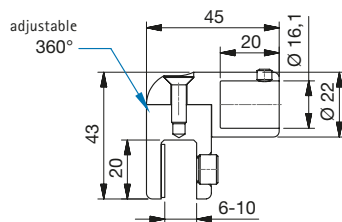
article no.	finish	glass thickness	article description	pu/pc.
8444MS7-GT	gloss chrome	6-10 mm	glass adapter, vertical T-pieces	1/1

■ DESIGNED
■ IN
■ GERMANY

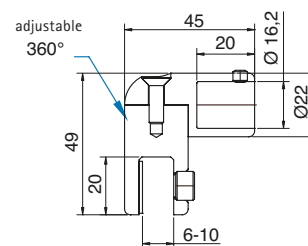
article no.	finish	glass thickness	article description	pu/pc.
8444MS7-GTL	gloss chrome	6-10 mm	glass adapter, vertical T-pieces, extended, fits lift hinges	1/1

■ DESIGNED
■ IN
■ GERMANY

for tube Ø 16 mm



for tube Ø 16 mm

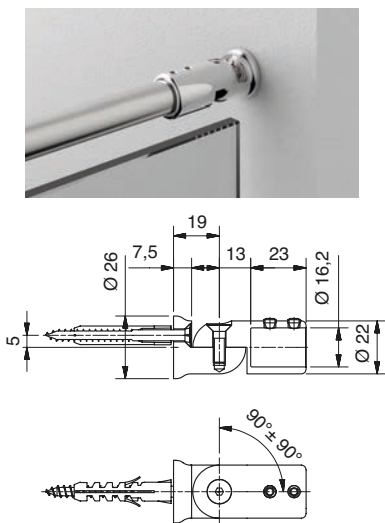


article no.	finish	glass thickness	article description	pu/pc.
8444MS7-G	gloss chrome	6-10 mm	glass adapter, for stabilizer bar	1/1
8444MS10-G	matt chrome	6-10 mm	glass adapter, for stabilizer bar	1/1

■ DESIGNED
■ IN
■ GERMANY

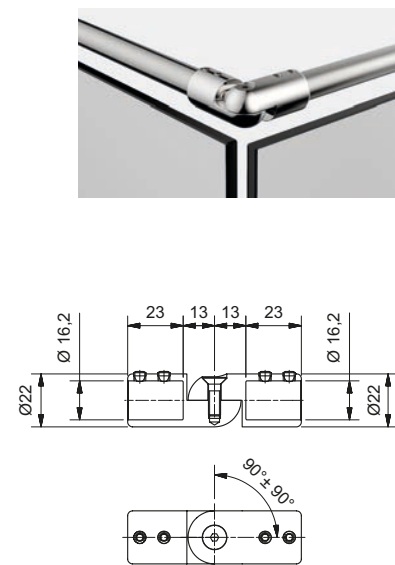
article no.	finish	glass thickness	article description	pu/pc.
8444MS7-GL	gloss chrome	6-10 mm	glass adapter, for stabilizer bar, extended, fits lift hinges	1/1

■ DESIGNED
■ IN
■ GERMANY



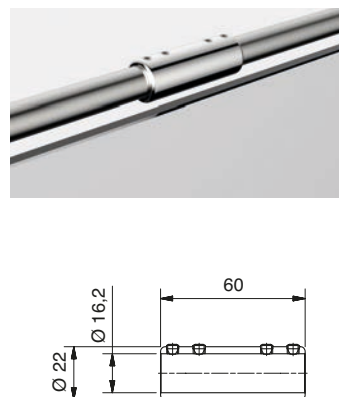
article no.	finish	article description	pu/pc.
8444MS7-WV	gloss chrome	wall adapter adjustable $\pm 90^\circ$	1/1

■ DESIGNED
■ IN
■ GERMANY



article no.	finish	article description	pu/pc.
8444MS7-EV	gloss chrome	corner joint adjustable 90-180°	1/1

■ DESIGNED
■ IN
■ GERMANY



article no.	finish	article description	pu/pc.
8444MS7-V180	gloss chrome	tube connector 180°	1/1

■ DESIGNED
■ IN
■ GERMANY

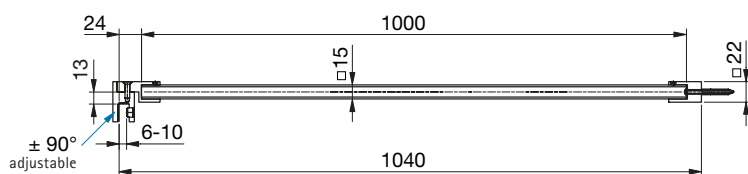


For the stability of the shower, we recommend that you do not install the round or square support bar longer than 1200 mm.
 A shower with a railing system over a certain size, will never have the same stability as a shower with a support bar and T-adapter.

every adapter is compatible with 8444MS7, 8445MS7, 8446MS7, 8447MS7, 8448MS7, 8444-1E6EV5, 8444-1MS7-1300

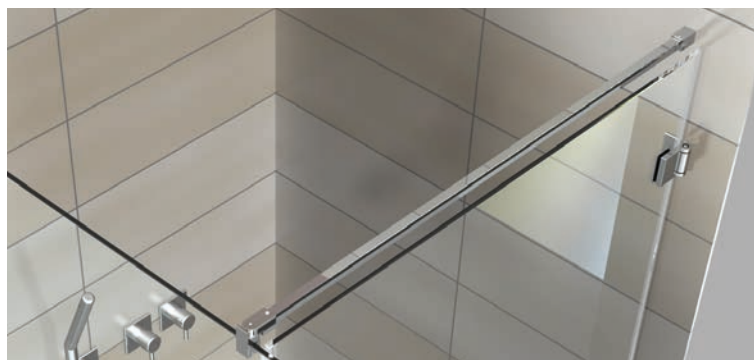
accessories – stabilizer bars

length 1000 mm, cuttable to size

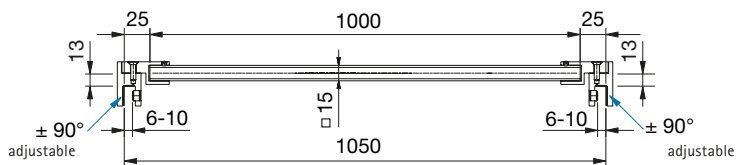
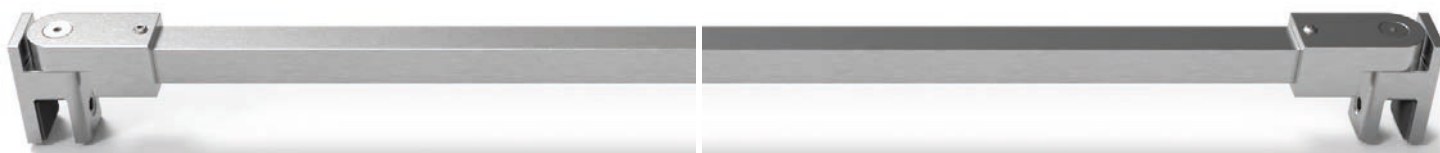


article no.	finish	glass thickness	article description	pu/pieces
8494MS7-1000	gloss chrome tube with special pickled aluminum/ polished and anodized	6-10 mm	stabilizer bar glass-wall	1/1

DESIGNED
IN
GERMANY

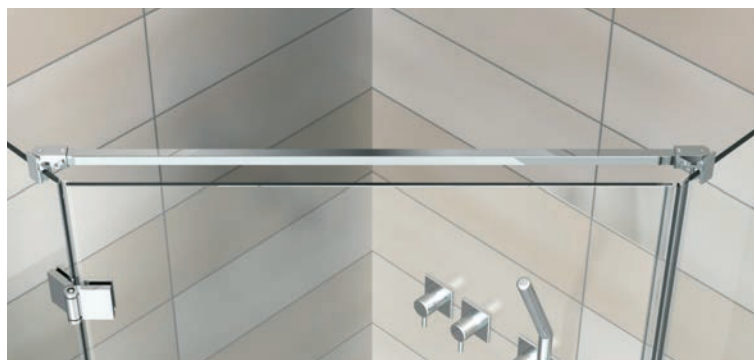


length 1000 mm, cuttable to size

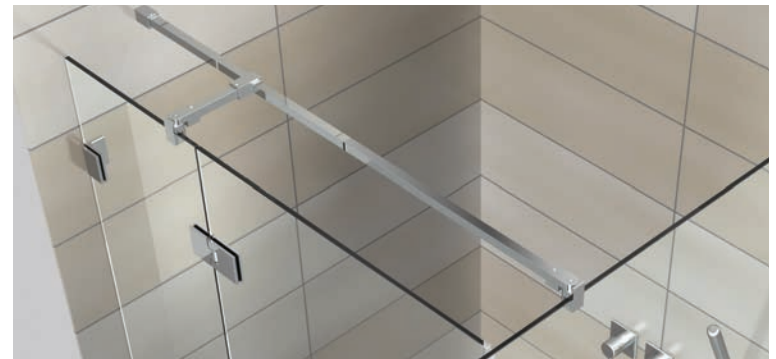
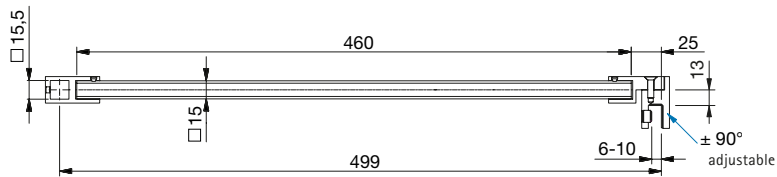
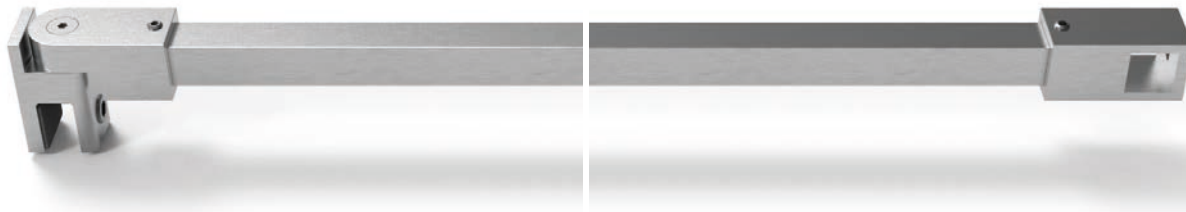


article no.	finish	glass thickness	article description	pu/pieces
8495MS7-1000	gloss chrome tube with special pickled aluminum/ polished and anodized	6-10 mm	stabilizer bar glass-glass	1/1

DESIGNED
IN
GERMANY



length 460 mm, cuttable to size

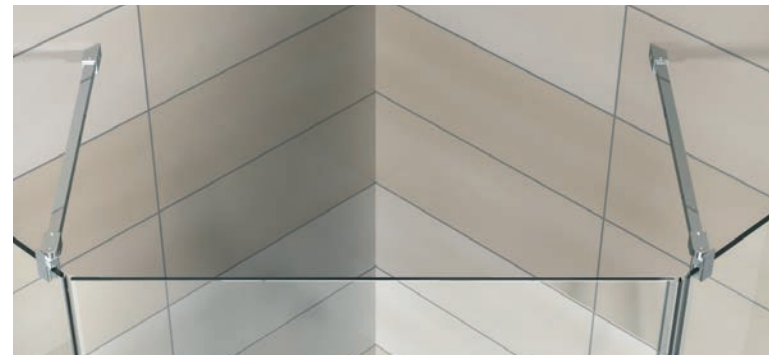
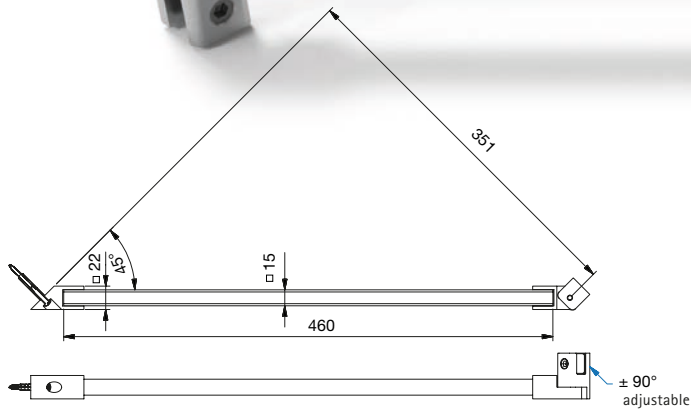


article no.	finish	glass thickness	article description	pu/pieces
8497MS7-460	gloss chrome tube with special pickled aluminum/polished and anodized	6-10 mm	stabilizer bar glass-T-shaped adapter	1/1

■ DESIGNED
■ IN
■ GERMANY

accessories

length 460 mm, cuttable to size

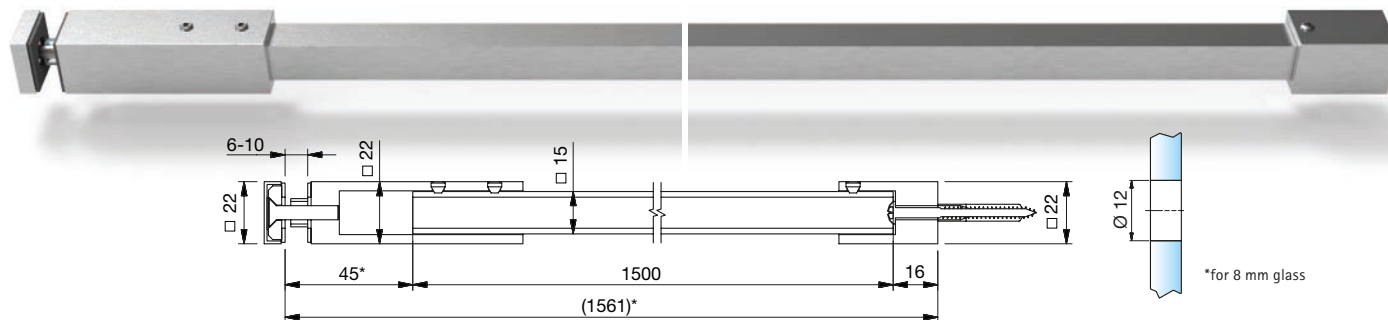


article no.	finish	glass thickness	article description	pu/pieces
8496MS7-460	gloss chrome tube with special pickled aluminum/polished and anodized	6-10 mm	stabilizer bar glass-wall 45°	1/1

■ DESIGNED
■ IN
■ GERMANY

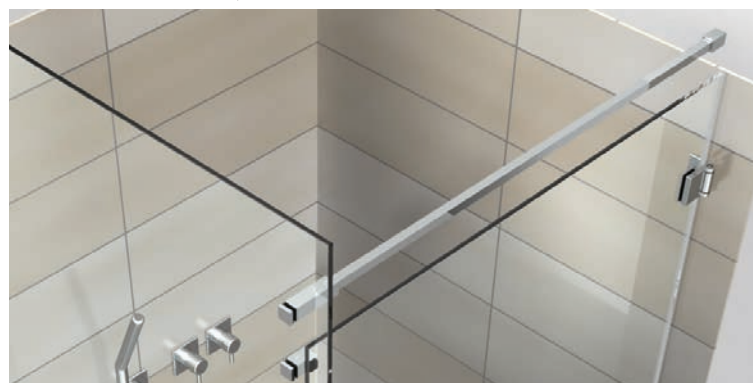
accessories – stabilizer bars

length 1500 mm, cuttable to size fixation with through borehole at the glass



article no.	finish	glass thickness	article description	pu/pieces
8498MS7-1500	gloss chrome tube with special pickled aluminum/ polished and anodized	6-10 mm	stabilizer bar glass-wall	1/1

DESIGNED
IN
GERMANY

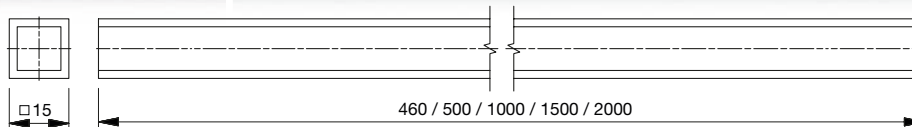


tube length cuttable to size



article description	pu/pieces
tube for stabilizer bar	1/1

DESIGNED
IN
GERMANY

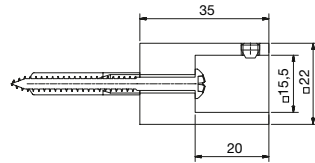


Black **Gold**
EDITION EDITION

article no.	finish	length	article no.	finish	length
8688-5E6EV5-460	pickled aluminum polished and anodized	460 mm	8688-5MSPVD35-500	black matt	500 mm
8688-5E6EV5-1000	pickled aluminum polished and anodized	1000 mm	8688-5MSPVD35-1000	black matt	1000 mm
8688-5E6EV5-1500	pickled aluminum polished and anodized	1500 mm	8688-5MSPVD36-500	black gloss	500 mm
8688-5E6EV5-2000	pickled aluminum polished and anodized	2000 mm	8688-5MSPVD36-1000	black gloss	1000 mm
8688-5E6EV1-1000	Aluminum optic (anodised silver)	1000 mm	8688-5AL35-500	RAL9005 black matt	500 mm
8688-5E6EV1-1500	Aluminum optic (anodised silver)	1500 mm	8688-5AL35-1000	RAL9005 black matt	1000 mm
8688-5MS7-1300	gloss chrome	1300 mm	8688-5AL36-500	RAL9005 black gloss	500 mm
8688-5MSPVD20-500	gold optic	500 mm	8688-5AL36-1000	RAL9005 black gloss	1000 mm
8688-5MSPVD20-1000	gold optic	1000 mm			
8688-5MS5-500	gloss nickel	500 mm			
8688-5MS5-1000	gloss nickel	1000 mm			

NEW

for tube □ 15 mm

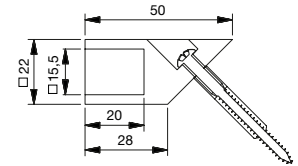


Black **Gold**
EDITION EDITION

article no.	finish	article description	pu/pieces
8494MS7-W	gloss chrome	wall adapter 90°	1/1
8494MS10-W	matt chrome	for stabilizer bar	
8494MSPVD20-W	gold optic		■ DESIGNED ■ IN ■ GERMANY
8494MSPVD35-W	black matt		
8494MSPVD36-W	black gloss		
8494MS35-W	RAL9005 black matt		
8494MS36-W	RAL9005 black gloss		
8494MS5-W	gloss nickel		

NEW

for tube □ 15 mm

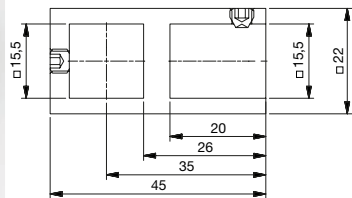
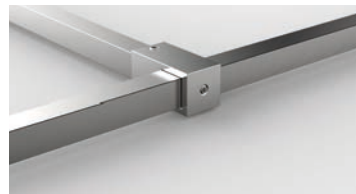


Black **Gold**
EDITION EDITION

article no.	finish	article description	pu/pieces
8496MS7-W45	gloss chrome	wall adapter 45°	1/1
8496MS10-W45	matt chrome	for stabilizer bar	
8496MSPVD20-W45	gold optic		■ DESIGNED ■ IN ■ GERMANY
8494MSPVD35-W	black matt		
8494MSPVD36-W	black gloss		
8494MS35-W	RAL9005 black matt		
8494MS36-W	RAL9005 black gloss		
8496MS5-W45	gloss nickel		

NEW

for tube □ 15 mm

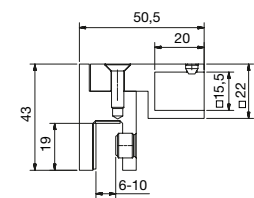


Black **Gold**
EDITION EDITION

article no.	finish	article description	pu/pieces
8497MS7-T	gloss chrome	T-adapter	1/1
8497MS10-T	matt chrome	for stabilizer bar	
8497MSPVD20-T	gold optic		■ DESIGNED ■ IN ■ GERMANY
8497MSPVD35-T	black matt		
8497MSPVD36-T	black gloss		
8497MS35-T	RAL9005 black matt		
8497MS36-T	RAL9005 black gloss		
8497MS5-T	gloss nickel		

NEW

for tube □ 15 mm

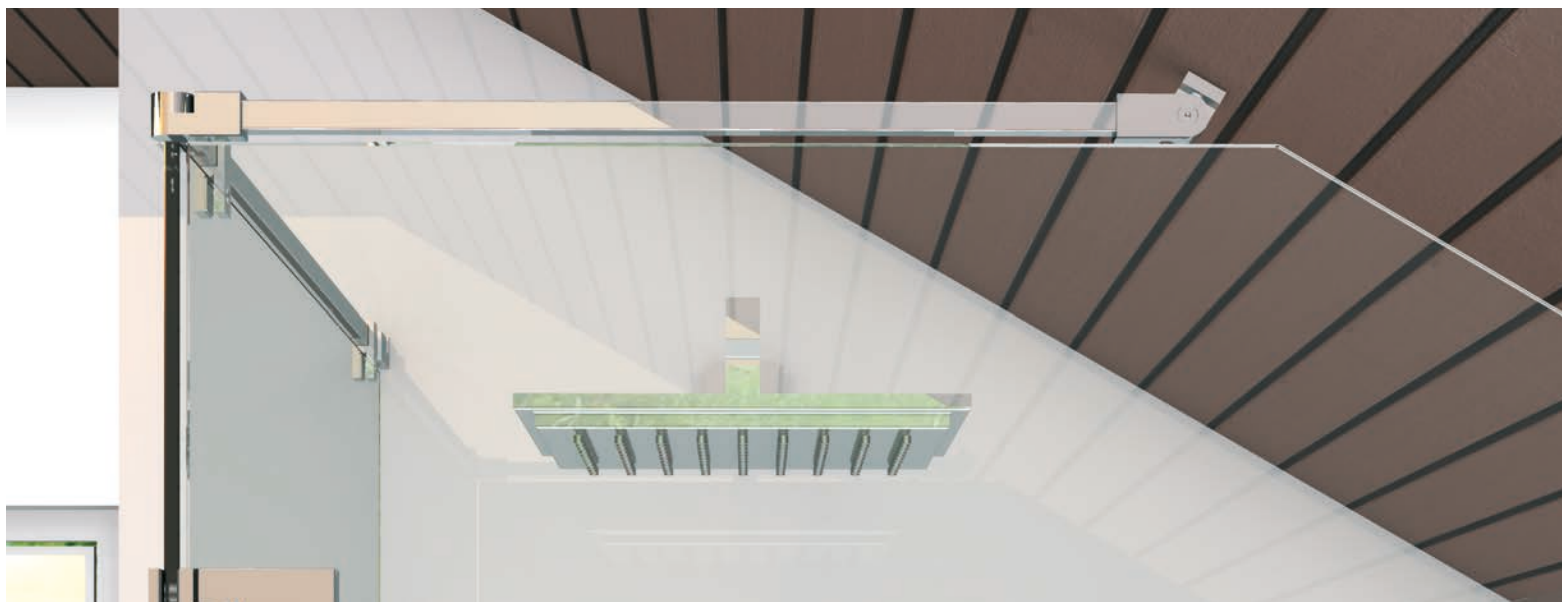


Black **Gold**
EDITION EDITION

article no.	finish	glass thckn.	article description	pu/pieces
8494MS7-G	gloss chrome	6-10 mm	glass adapter	1/1
8494MS10-G	matt chrome		for stabilizer bar	
8494MSPVD20-G	gold optic			■ DESIGNED ■ IN ■ GERMANY
8494MSPVD35-G	black matt			
8494MSPVD36-G	black gloss			
8494MS35-G	RAL9005 black matt			
8494MS36-G	RAL9005 black gloss			
8494MS5-G	gloss nickel			

NEW

every adapter shown here is compatible with:
8494MS7, 8495MS7, 8496MS7, 8497MS7, 8498MS7, 8688-1E6EV5



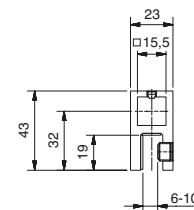
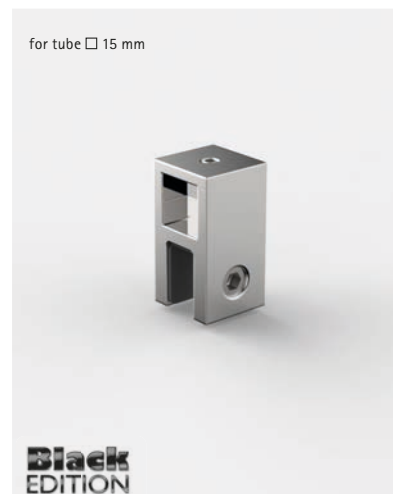
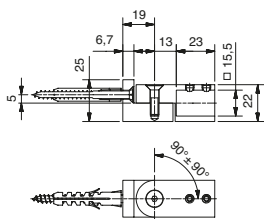
the following items have been installed:

- 8688-5E6EV5-1000
- 8494MS7-EV
- 8494MS7-GT
- 8494MS7-WV

for the stability of the shower, we recommend that you do not install the round or square support bar longer than 1200 mm.

a shower with a railing system over a certain size, will never have the same stability as a shower with a support bar and T-adapter.

accessories



article no.	finish	article description	pu/pc.
8494MS7-WV	gloss chrome	wall adapter adjustable $\pm 90^\circ$	1/1
8494MSPVD35-WV	black matt		
8494MSPVD36-WV	black gloss		

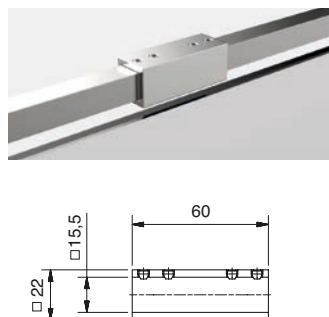
DESIGNED
IN
GERMANY

article no.	finish	article description	pu/pc.
8494MS7-GT	gloss chrome	glass adapter, vertical T-pieces	1/1
8494MSPVD35-GT	black matt		
8494MSPVD36-GT	black gloss		

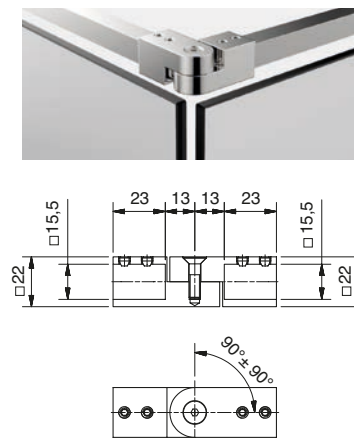
DESIGNED
IN
GERMANY

every adapter shown here is compatible with:
8494MS7, 8495MS7, 8496MS7, 8497MS7, 8498MS7, 8688-5E6EV5

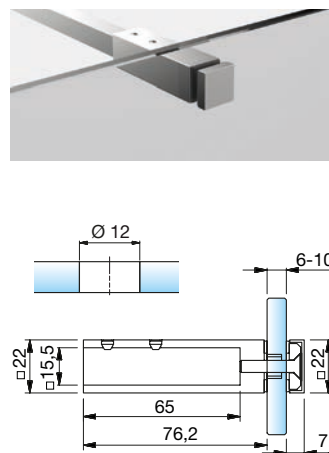




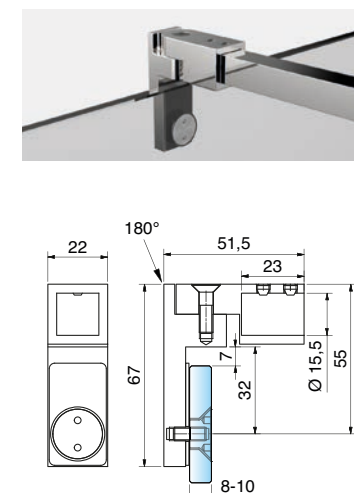
article no.	finish	article description	pu/pc.
8494MS7-V180	gloss chrome	tube connector 180°	1/1
8494MSPVD35-V180	black matt		
8494MSPVD36-V180	black gloss		



article no.	finish	article description	pu/pc.
8494MS7-EV	gloss chrome	corner joint adjustable 90-180°	1/1
8494MSPVD35-EV	black matt		
8494MSPVD36-EV	black gloss		



article no.	finish	glass thickness	article description	pu/pc.
8498MS7-G	gloss chrome	6-10 mm	glass adapter	1/1
8498MSPVD35-G	black matt		for supporting	
8498MSPVD36-G	black gloss		bar	



article no.	finish	glass thickness	article description	pu/pc.
8498MS7-GF	gloss chrome	6-10 mm	glass adapter flush	1/1
8498MS10-GF	matt chrome finish		for supporting	
8494MSPVD35-GF	black matt		suitable for lifting	
8494MSPVD36-GF	black gloss		hardware	

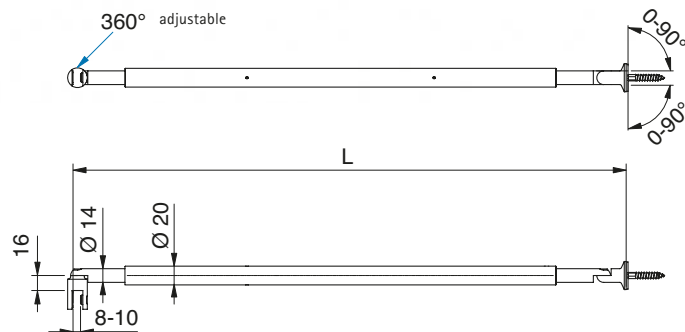


accessories – stabilizer bars

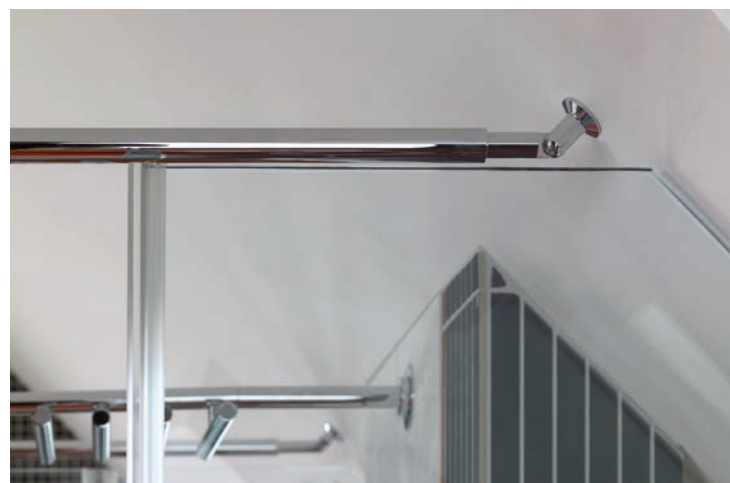
glass thickness: 8-10 mm
with adjustable wall connector for slanted wall / ceilings.
adjustable due to right-left thread inside the rail.



article no.	finish	article description	pu/pc.
8432MS7-395	gloss chrome	stabilizer bar glass-wall	1/1
8432MS10-395	matt chrome	adjustable from 365-425 mm	
8432MSPVD22-395	stainless steel optic		
8432MS7-590	gloss chrome	stabilizer bar glass-wall	1/1
8432MS10-590	matt chrome	adjustable from 510-670 mm	
8432MSPVD22-590	stainless steel optic		
8432MS7-730	gloss chrome	stabilizer bar glass-wall	1/1
8432MS10-730	matt chrome	adjustable from 650-810 mm	
8432MSPVD22-730	stainless steel optic		
8432MS7-860	gloss chrome	stabilizer bar glass-wall	1/1
8432MS10-860	matt chrome	adjustable from 780-940 mm	
8432MSPVD22-860	stainless steel optic		
8432MS7-990	gloss chrome	stabilizer bar glass-wall	1/1
8432MS10-990	matt chrome	adjustable from 910-1070 mm	
8432MSPVD22-990	stainless steel optic		
8432MS7-1050	gloss chrome	stabilizer bar glass-wall	1/1
8432MS10-1050	matt chrome	adjustable from 970-1130 mm	
8432MSPVD22-1050	stainless steel optic		
8432MS7-1190	gloss chrome	stabilizer bar glass-wall	1/1
8432MS10-1190	matt chrome	adjustable from 1110-1270 mm	
8432MSPVD22-1190	stainless steel optic		
8432MS7-1330	gloss chrome	stabilizer bar glass-wall	1/1
8432MS10-1330	matt chrome	adjustable from 1250-1410 mm **	
8432MSPVD22-1330	stainless steel optic		
8432MS7-1460	gloss chrome	stabilizer bar glass-wall	1/1
8432MS10-1460	matt chrome	adjustable from 1380-1540 mm **	
8432MSPVD22-1460	stainless steel optic		
8432MS7-1590	gloss chrome	stabilizer bar glass-wall	1/1
8432MS10-1590	matt chrome	adjustable from 1510-1670 mm **	
8432MSPVD22-1590	stainless steel optic		
8432MS7-1720	gloss chrome	stabilizer bar glass-wall	1/1
8432MS10-1720	matt chrome	adjustable from 1640-1800 mm **	
8432MSPVD22-1720	stainless steel optic		
8432MS7-1850	gloss chrome	stabilizer bar glass-wall	1/1
8432MS10-1850	matt chrome	adjustable from 1770-1930 mm **	
8432MSPVD22-1850	stainless steel optic		



DESIGNED
IN
GERMANY



other length upon request!

**tube subdivided (visible parting line)

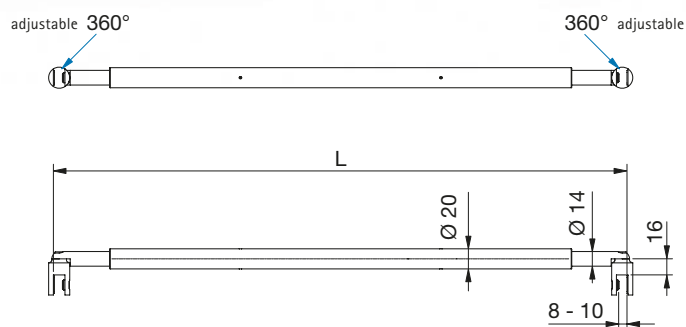
glass thickness: 8–10 mm
adjustable due to right-left thread inside the rail.



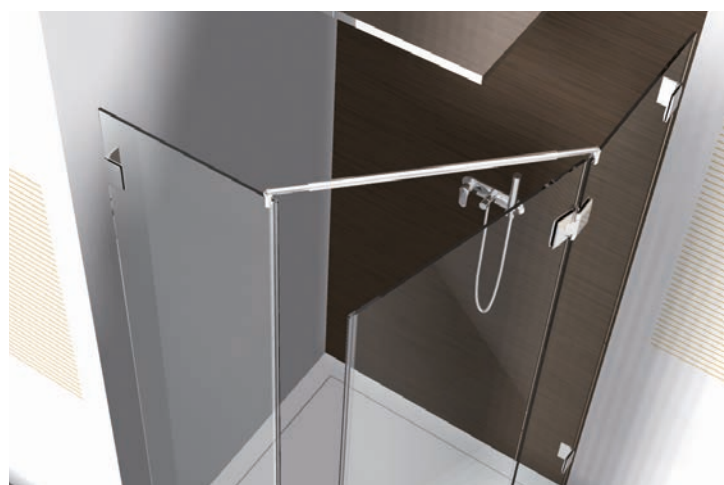
article no.	finish	article description	pu/pc.
8434MS7-375	gloss chrome	stabilizer bar glass-glass	1/1
8434MS10-375	matt chrome	adjustable from 345–405 mm	
8434MSPVD22-375	stainless steel optic		
8434MS7-570	gloss chrome	stabilizer bar glass-glass	1/1
8434MS10-570	matt chrome	adjustable from 490–650 mm	
8434MSPVD22-570	stainless steel optic		
8434MS7-710	gloss chrome	stabilizer bar glass-glass	1/1
8434MS10-710	matt chrome	adjustable from 630–790 mm	
8434MSPVD22-710	stainless steel optic		
8434MS7-840	gloss chrome	stabilizer bar glass-glass	1/1
8434MS10-840	matt chrome	adjustable from 760–920 mm	
8434MSPVD22-840	stainless steel optic		
8434MS7-970	gloss chrome	stabilizer bar glass-glass	1/1
8434MS10-970	matt chrome	adjustable from 890–1050 mm	
8434MSPVD22-970	stainless steel optic		
8434MS7-1030	gloss chrome	stabilizer bar glass-glass	1/1
8434MS10-1030	matt chrome	adjustable from 950–1110 mm	
8434MSPVD22-1030	stainless steel optic		
8434MS7-1170	gloss chrome	stabilizer bar glass-glass	1/1
8434MS10-1170	matt chrome	adjustable from 1090–1250 mm	
8434MSPVD22-1170	stainless steel optic		
8434MS7-1310	gloss chrome	stabilizer bar glass-glass	1/1
8434MS10-1310	matt chrome	adjustable from 1230–1390 mm **	
8434MSPVD22-1310	stainless steel optic		
8434MS7-1440	gloss chrome	stabilizer bar glass-glass	1/1
8434MS10-1440	matt chrome	adjustable from 1360–1520 mm **	
8434MSPVD22-1440	stainless steel optic		
8434MS7-1570	gloss chrome	stabilizer bar glass-glass	1/1
8434MS10-1570	matt chrome	adjustable from 1490–1650 mm **	
8434MSPVD22-1570	stainless steel optic		
8434MS7-1700	gloss chrome	stabilizer bar glass-glass	1/1
8434MS10-1700	matt chrome	adjustable from 1620–1780 mm **	
8434MSPVD22-1700	stainless steel optic		
8434MS7-1830	gloss chrome	stabilizer bar glass-glass	1/1
8434MS10-1830	matt chrome	adjustable from 1750–1910 mm **	
8434MSPVD22-1830	stainless steel optic		

other length upon request!

**tube subdivided (visible parting line)



DESIGNED
IN
GERMANY

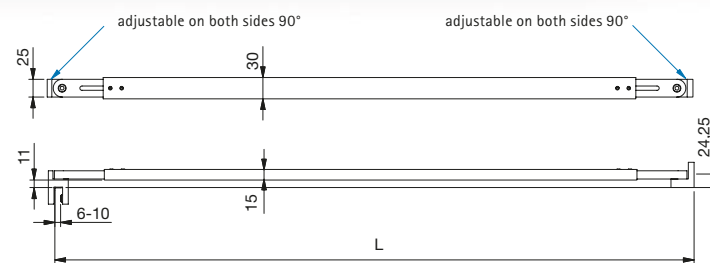


accessories – stabilizer bars

glass thickness: 8-10 mm



article no.	finish	article description	pu/pc.
8474MS7-380	gloss chrome	stabilizer bar glass-wall	1/1
8474MS10-380	matt chrome	adjustable from 300-460 mm	
8474MSPVD22-380	stainless steel optic		
8474MS7-510	gloss chrome	stabilizer bar glass-wall	1/1
8474MS10-510	matt chrome	adjustable from 430-590 mm	
8474MSPVD22-510	stainless steel optic		
8474MS7-640	gloss chrome	stabilizer bar glass-wall	1/1
8474MS10-640	matt chrome	adjustable from 560-720 mm	
8474MSPVD22-640	stainless steel optic		
8474MS7-770	gloss chrome	stabilizer bar glass-wall	1/1
8474MS10-770	matt chrome	adjustable from 690-850 mm	
8474MSPVD22-770	stainless steel optic		
8474MS7-900	gloss chrome	stabilizer bar glass-wall	1/1
8474MS10-900	matt chrome	adjustable from 820-980 mm	
8474MSPVD22-900	stainless steel optic		
8474MS7-1030	gloss chrome	stabilizer bar glass-wall	1/1
8474MS10-1030	matt chrome	adjustable from 950-1110 mm	
8474MSPVD22-1030	stainless steel optic		
8474MS7-1160	gloss chrome	stabilizer bar glass-wall	1/1
8474MS10-1160	matt chrome	adjustable from 1080-1240 mm	
8474MSPVD22-1160	stainless steel optic		
8474MS7-1260	gloss chrome	stabilizer bar glass-wall	1/1
8474MS10-1260	matt chrome	adjustable from 1180-1340 mm	
8474MSPVD22-1260	stainless steel optic		
8474MS7-1390	gloss chrome	stabilizer bar glass-wall	1/1
8474MS10-1390	matt chrome	adjustable from 1310-1470 mm	
8474MSPVD22-1390	stainless steel optic		
8474MS7-1520	gloss chrome	stabilizer bar glass-wall	1/1
8474MS10-1520	matt chrome	adjustable from 1440-1600 mm	
8474MSPVD22-1520	stainless steel optic		
8474MS7-1650	gloss chrome	stabilizer bar glass-wall	1/1
8474MS10-1650	matt chrome	adjustable from 1570-1730 mm	
8474MSPVD22-1650	stainless steel optic		
8474MS7-1780	gloss chrome	stabilizer bar glass-wall	1/1
8474MS10-1780	matt chrome	adjustable from 1700-1860 mm	
8474MSPVD22-1780	stainless steel optic		
8474MS7-1910	gloss chrome	stabilizer bar glass-wall	1/1
8474MS10-1910	matt chrome	adjustable from 1830-1990 mm	
8474MSPVD22-1910	stainless steel optic		



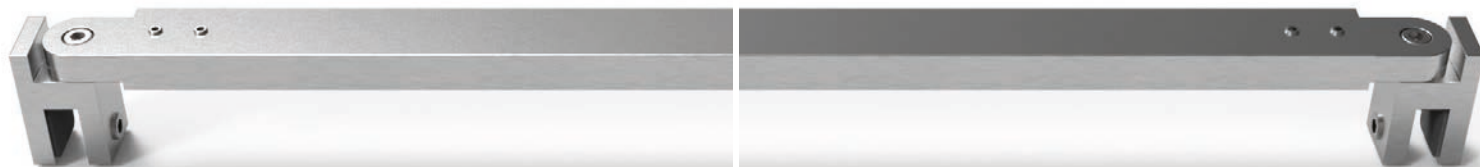
DESIGNED
IN
GERMANY



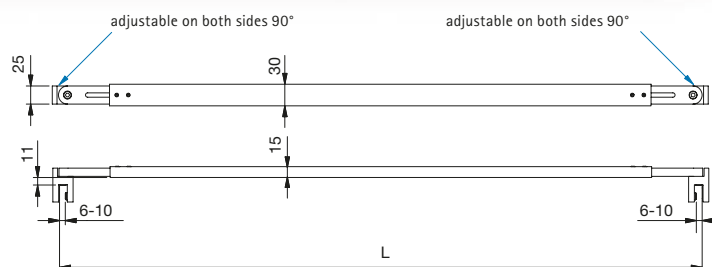
other length upon request!

**tube subdivided (visible parting line)

glass thickness: 8-10 mm



article no.	finish	article description	pu/pc.
8475MS7-370	gloss chrome	stabilizer bar glass-glass	1/1
8475MS10-370	matt chrome	adjustable from 290-450 mm	
8475MSPVD22-370	stainless steel optic		
8475MS7-500	gloss chrome	stabilizer bar glass-glass	1/1
8475MS10-500	matt chrome	adjustable from 420-580 mm	
8475MSPVD22-500	stainless steel optic		
8475MS7-630	gloss chrome	stabilizer bar glass-glass	1/1
8475MS10-630	matt chrome	adjustable from 550-710 mm	
8475MSPVD22-630	stainless steel optic		
8475MS7-760	gloss chrome	stabilizer bar glass-glass	1/1
8475MS10-760	matt chrome	adjustable from 680-840 mm	
8475MSPVD22-760	stainless steel optic		
8475MS7-890	gloss chrome	stabilizer bar glass-glass	1/1
8475MS10-890	matt chrome	adjustable from 810-970 mm	
8475MSPVD22-890	stainless steel optic		
8475MS7-1020	gloss chrome	stabilizer bar glass-glass	1/1
8475MS10-1020	matt chrome	adjustable from 940-1100 mm	
8475MSPVD22-1020	stainless steel optic		
8475MS7-1150	gloss chrome	stabilizer bar glass-glass	1/1
8475MS10-1150	matt chrome	adjustable from 1070-1230 mm	
8475MSPVD22-1150	stainless steel optic		
8475MS7-1250	gloss chrome	stabilizer bar glass-glass	1/1
8475MS10-1250	matt chrome	adjustable from 1170-1330 mm	
8475MSPVD22-1250	stainless steel optic		
8475MS7-1380	gloss chrome	stabilizer bar glass-glass	1/1
8475MS10-1380	matt chrome	adjustable from 1300-1460 mm	
8475MSPVD22-1380	stainless steel optic		
8475MS7-1510	gloss chrome	stabilizer bar glass-glass	1/1
8475MS10-1510	matt chrome	adjustable from 1430-1590 mm	
8475MSPVD22-1510	stainless steel optic		
8475MS7-1640	gloss chrome	stabilizer bar glass-glass	1/1
8475MS10-1640	matt chrome	adjustable from 1560-1720 mm	
8475MSPVD22-1640	stainless steel optic		
8475MS7-1770	gloss chrome	stabilizer bar glass-glass	1/1
8475MS10-1770	matt chrome	adjustable from 1690-1850 mm	
8475MSPVD22-1770	stainless steel optic		
8475MS7-1900	gloss chrome	stabilizer bar glass-glass	1/1
8475MS10-1900	matt chrome	adjustable from 1820-1980 mm	
8475MSPVD22-1900	stainless steel optic		



DESIGNED
IN
GERMANY

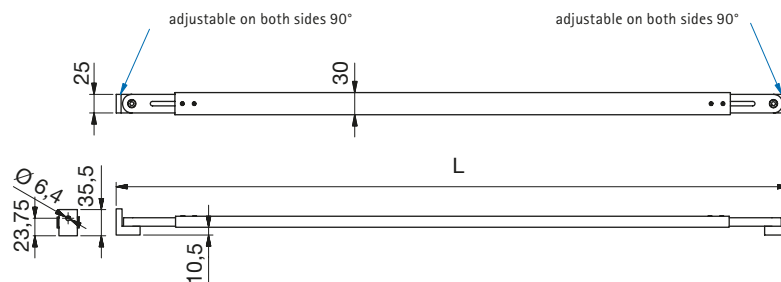


other length upon request!

**tube subdivided (visible parting line)

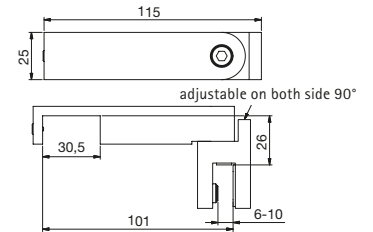
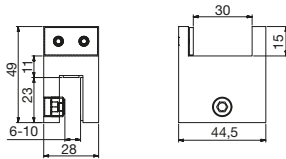


article no.	finish	article description	pu/pc.
8477MS7-910	gloss chrome	stabilizer bar wall-wall	1/1
8477MS10-910	matt chrome	adjustable from 830-990 mm	
8477MSPVD22-910	stainless steel optic		
8477MS7-1040	gloss chrome	stabilizer bar wall-wall	1/1
8477MS10-1040	matt chrome	adjustable from 960-1120 mm	
8477MSPVD22-1040	stainless steel optic		
8477MS7-1170	glanzverchromt	stabilizer bar wall-wall	1/1
8477MS10-1170	mattverchromt	adjustable from 1090-1250 mm	
8477MSPVD22-1170	stainless steel optic		
8477MS7-1270	glanzverchromt	stabilizer bar wall-wall	1/1
8477MS10-1270	mattverchromt	adjustable from 1190-1350 mm **	
8477MSPVD22-1270	stainless steel optic		
8477MS7-1400	glanzverchromt	stabilizer bar wall-wall	1/1
8477MS10-1400	mattverchromt	adjustable from 1320-1480 mm **	
8477MSPVD22-1400	stainless steel optic		
8477MS7-1530	glanzverchromt	stabilizer bar wall-wall	1/1
8477MS10-1530	mattverchromt	adjustable from 1450-1610 mm **	
8477MSPVD22-1530	stainless steel optic		
8477MS7-1660	glanzverchromt	stabilizer bar wall-wall	1/1
8477MS10-1660	mattverchromt	adjustable from 1580-1740 mm **	
8477MSPVD22-1660	stainless steel optic		
8477MS7-1790	glanzverchromt	stabilizer bar wall-wall	1/1
8477MS10-1790	mattverchromt	adjustable from 1710-1870 mm **	
8477MSPVD22-1790	stainless steel optic		
8477MS7-1920	glanzverchromt	stabilizer bar wall-wall	1/1
8477MS10-1920	mattverchromt	adjustable from 1840-2000 mm **	
8477MSPVD22-1920	stainless steel optic		



DESIGNED
IN
GERMANY



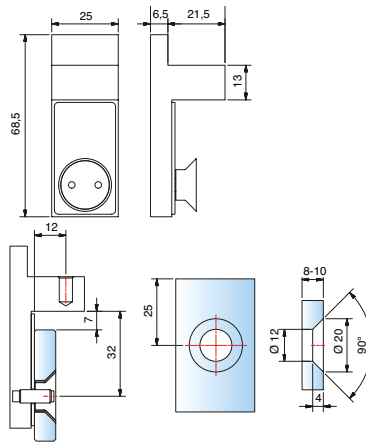


article no.	finish	glass thckn.	article description	pu/pieces
8473MS7	gloss chrome	6-10 mm	glass plate support	1/1
8473MS10	matt chrome		for 8474MS, 8475MS	
8473MSPVD22	stainless steel optic		and 8477MS	

■ DESIGNED
■ IN
■ GERMANY

article no.	finish	glass thckn.	article description	pu/pieces
8476MS7-T	gloss chrome	6-10 mm	t-adapter for	1/1
8476MS10-T	matt chrome		8474MS, 8475MS	
8476MSPVD22-T	stainless steel optic		and 8477MS	

■ DESIGNED
■ IN
■ GERMANY



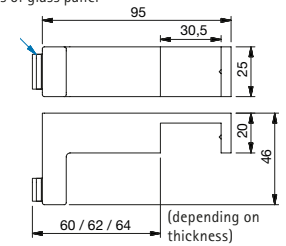
**Black
EDITION**

article no.	finish	glass thckn.	article description	pu/pieces
8471MS7	gloss chrome	8-10 mm	fixing set flush for 8474MS,	1/1
8471MS10	matt chrome		8475MS and 8477MS,	
8471MSPVD35	black matt		extended, suitable for lifting	
8471MSPVD36	black gloss		hardware	

■ DESIGNED
■ IN
■ GERMANY

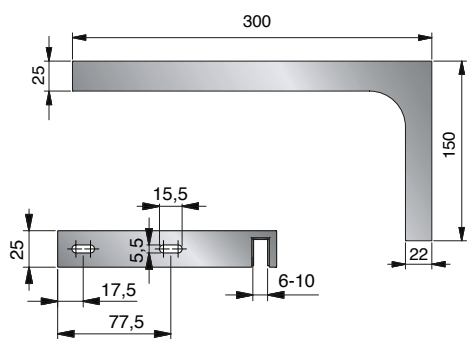


EPDM gasket according to thickness of glass panel



article no.	finish	glass thckn.	article description	pu/pieces
8491MS7	gloss chrome finish	6-10 mm	t-adapter striker bracket for 8474MS, 8475MS and 8477MS (door stop)	1/1

■ DESIGNED
■ IN
■ GERMANY



features

stabilizer angle bracket with oblong hole for adjustment on the wall side, attachable to the top edge of the glass, no glass processing necessary, concealed screws



article no.	finish	glass thickn.	article description	pu/pc.
8449MS7-L	gloss chrome	6/8/10 mm	stabilizer angle bracket, left	1/1
8449MS10-L	matt chrome			
8449MSPVD22-L	stainless steel optic			
8449MSPVD35-L	black matt			
8449MSPVD36-L	black gloss			

article no.	finish	glass thickn.	article description	pu/pc.
8449MS7-R	gloss chrome	6/8/10 mm	stabilizer angle bracket, right	1/1
8449MS10-R	matt chrome			
8449MSPVD22-R	stainless steel optic			
8449MSPVD35-R	black matt			
8449MSPVD36-R	black gloss			

niche shower

niche shower

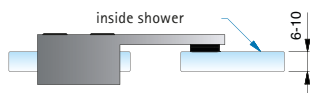
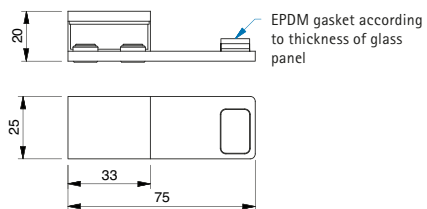
corner shower

pentagonal showers

bath tubs



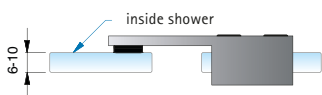
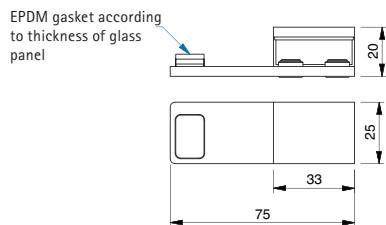




article no.	finish	glass thickness	article description	features	pu/pieces
8490MS7-L	gloss chrome	6-10 mm	door stop limiter version left (door stop)	mounted on glass edge no glass processing	1/2
8490MS10-L	matt chrome				
8490MSPVD22-L	stainless steel optic				

DESIGNED IN GERMANY

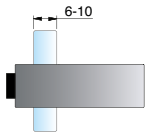
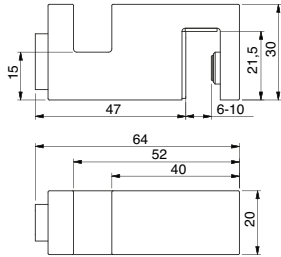
accessories



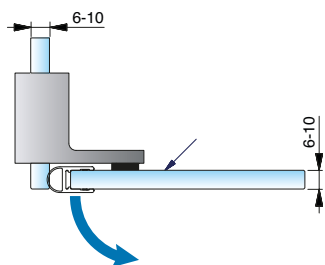
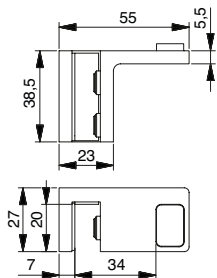
article no.	finish	glass thickness	article description	features	pu/pieces
8490MS7-R	gloss chrome	6-10 mm	door stop limiter version right (door stop)	mounted on glass edge no glass processing	1/2
8490MS10-R	matt chrome				
8490MSPVD22-R	stainless steel optic				

DESIGNED IN GERMANY





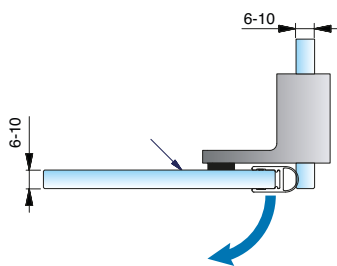
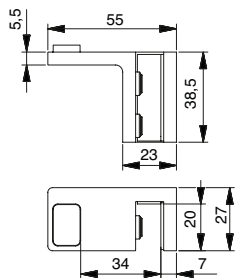
article no.	finish	glass thickness	article description	features	pu/pieces
8499MS7	gloss chrome	6-10 mm	door stop limiter	mounted on glass edge no glass processing	1/2 ■ DESIGNED ■ IN ■ GERMANY



article no.	finish	glass thickness	article description	features	pu/pieces
8489MS7-L	gloss chrome	6-10 mm	door stop limiter version left	mounted on glass edge no glass processing	1/2

DESIGNED IN GERMANY

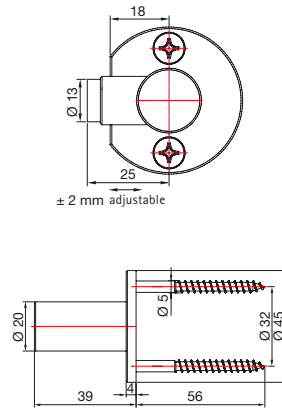
accessories



article no.	finish	glass thickness	article description	features	pu/pieces
8489MS7-R	gloss chrome	6-10 mm	door stop limiter version right	mounted on glass edge no glass processing	1/2

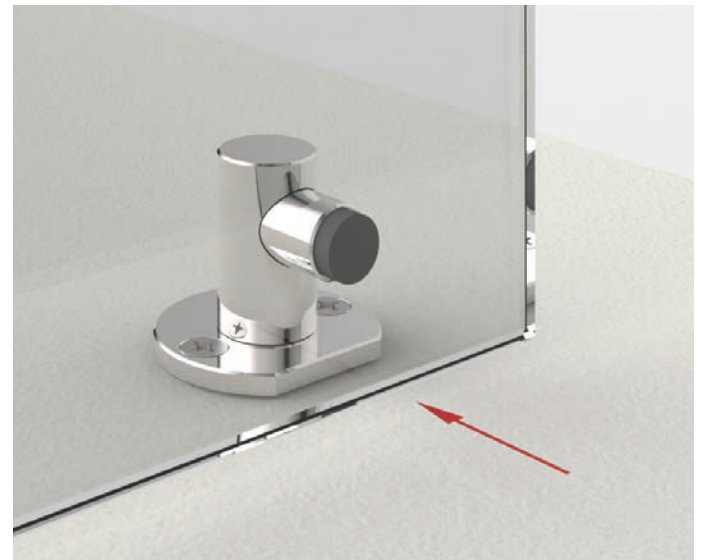
DESIGNED IN GERMANY

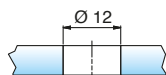
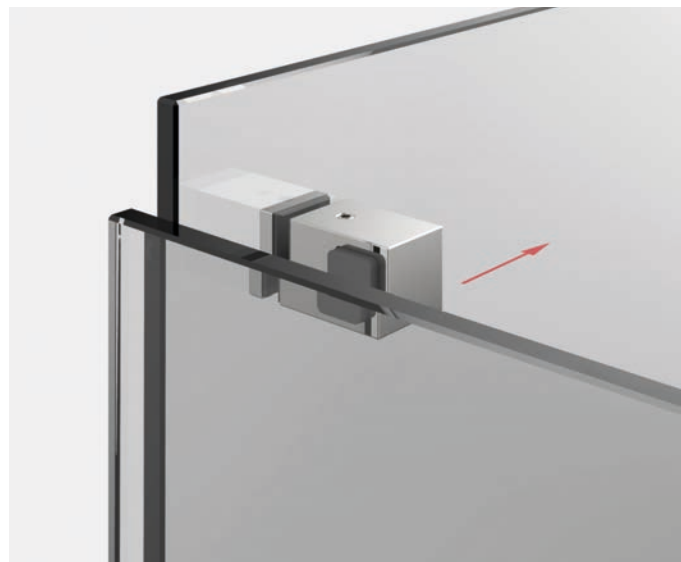
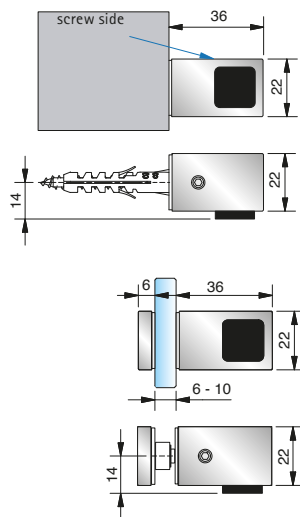




article no.	finish	article description	pu/pieces
8440MS7	gloss chrome	door stop	1/1
8440MS10	matt chrome	glass-wall	
8440MSPVD22	stainless steel optic		

MADE
IN
GERMANY

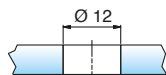
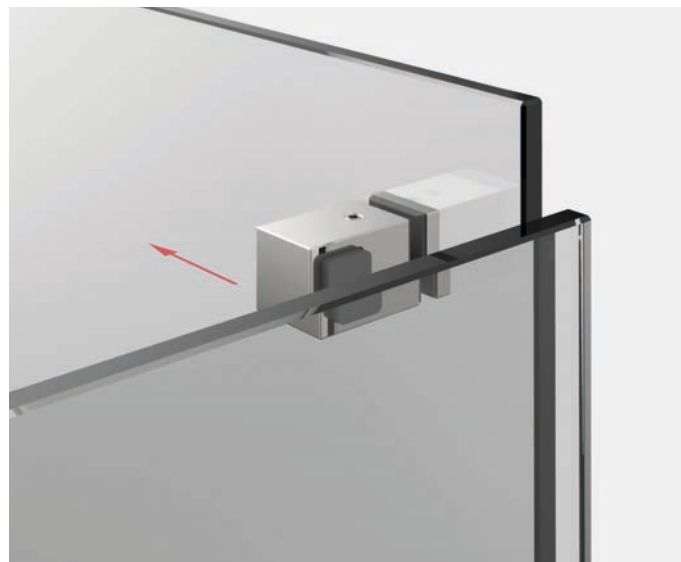
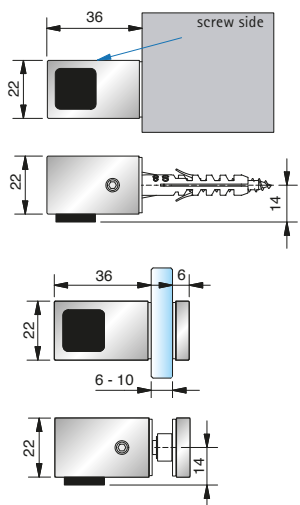




article no.	finish	glass thickness	article description	features	pu/pieces
8274MS7-L	gloss chrome	6-10 mm	door stop limiter	with glass mount and wall mount	1/2
8274MS10-L	matt chrome		glass-wall, left		
8274MSPVD22-L	stainless steel optic				

DESIGNED IN GERMANY

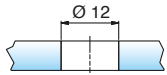
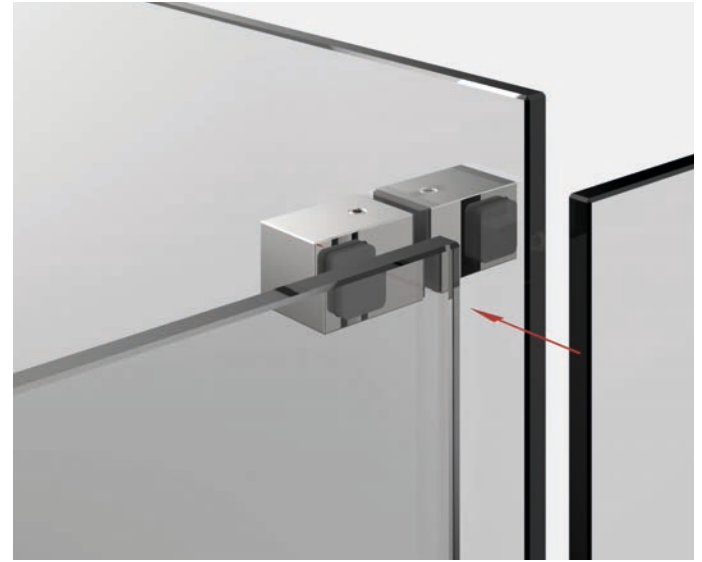
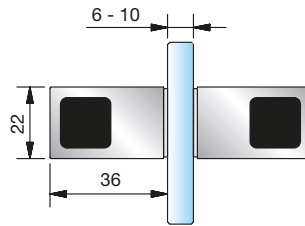
accessories



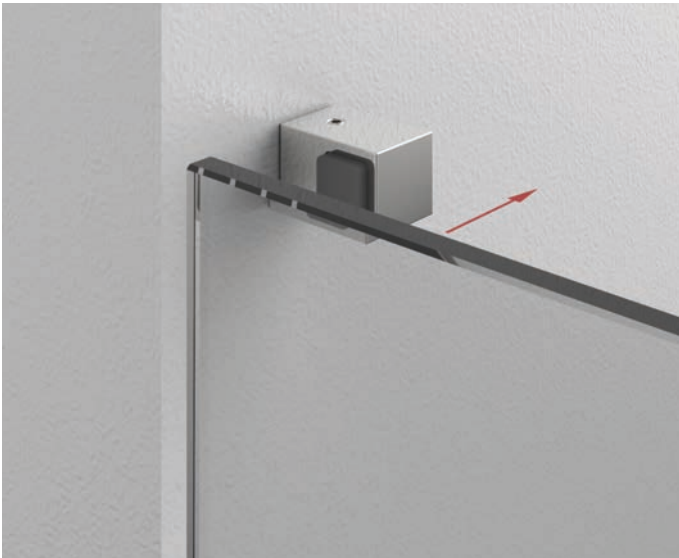
article no.	finish	glass thickness	article description	features	pu/pieces
8274MS7-R	gloss chrome	6-10 mm	door stop limiter	with glass mount and wall mount	1/2
8274MS10-R	matt chrome		glass-wall, right		
8274MSPVD22-R	stainless steel optic				

DESIGNED IN GERMANY



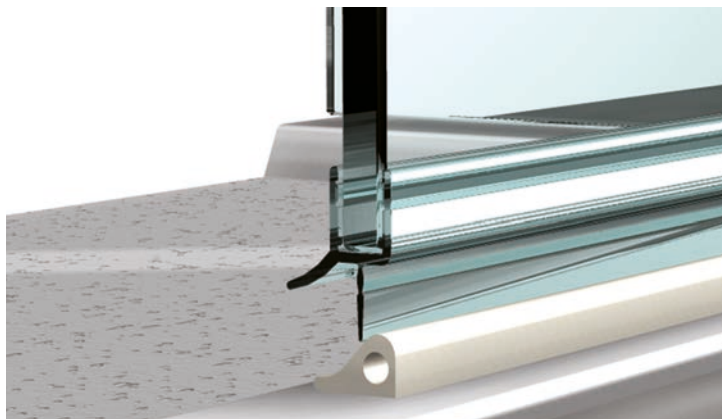


article no.	finish	glass thickness	article description	pu/pieces
8274MS7-D	gloss chrome	6-10 mm	door stop limiter glass-glass,	1/2
8274MS10-D	matt chrome		double-sided version	
8274MSPVD22-D	stainless steel optic			

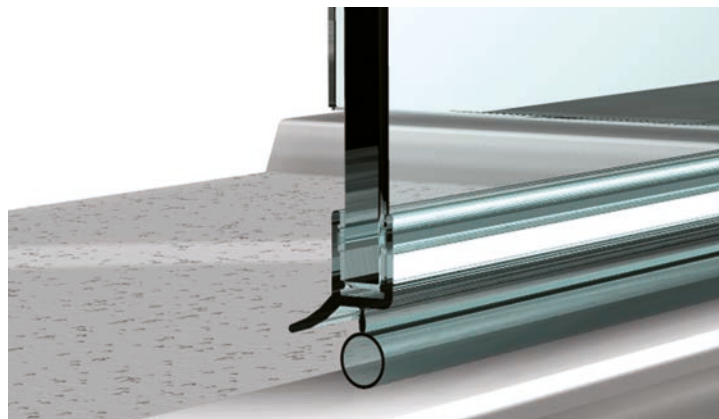




overview sealing profiles and splash guards



sealing profile with splash guard



sealing profile without splash guard



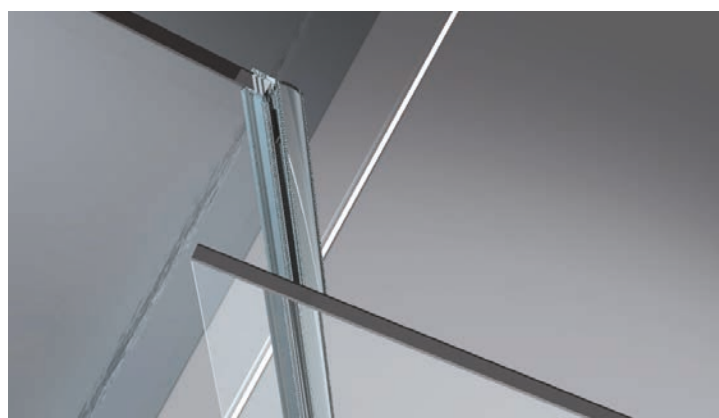
sealing profile chrome design



magnetical sealing profile chrome design



sealing profile glass-wall



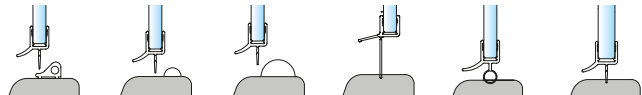
sealing profile glass-glass



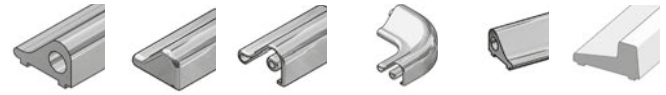
overview sealing profiles and splash guards



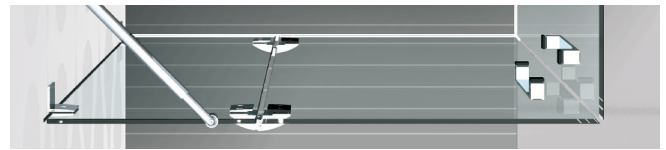
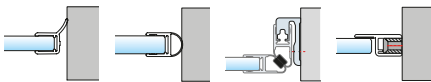
sealing profiles for shower door/tray



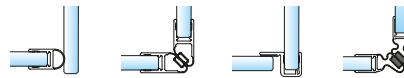
splash guards



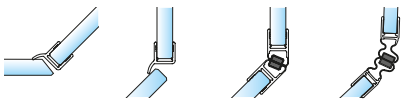
sealing profiles for shower door/wall



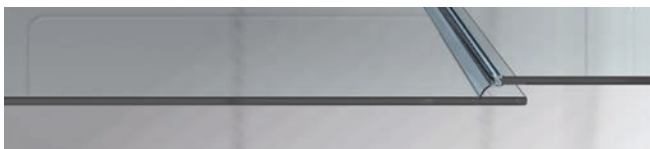
sealing profiles for glass-glass 90°



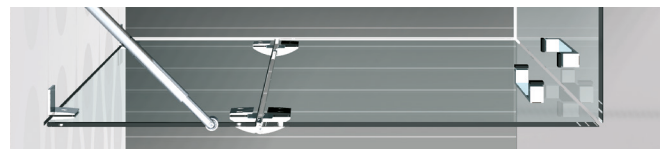
sealing profiles for glass-glass 135°



sealing profiles for glass-glass 180°



sealing profiles for glass-glass 180°, overlapping

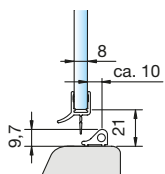


sealing profiles chrome decor

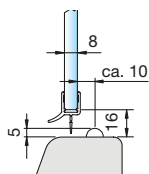




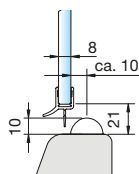
for sealing profiles for shower door/tray



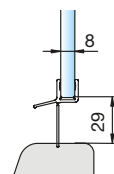
art. no. 8864KU0-8-2010
for 6 and 8 mm glass in combination with splash guard (art. no. 8535E6EV5)



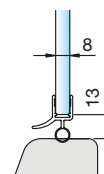
art. no. 8864KU0-8-2010
for 6 and 8 mm glass in combination with acrylic semi-circular rod (art. no. 8538KU5, radius = 5 mm)



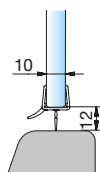
art. no. 8864KU0-8-2010
for 6 and 8 mm glass in combination with acrylic semi-circular rod (art. no. 8539KU5, radius = 10 mm)



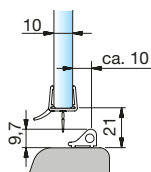
art. no. 8866KU0-8-2010
for 6 and 8 mm glass



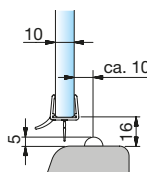
art. no. 8863KU0-8-2010
for 6 and 8 mm glass



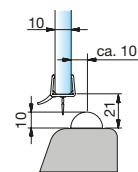
art. no. 8864KU0-12-2500
for 10 and 12 mm glass



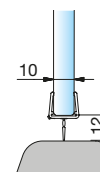
art. no. 8864KU0-12-2500
for 10 and 12 mm glass in combination with splash guard (art. no. 8535E6EV5)



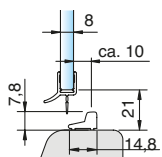
art. no. 8864KU0-12-2500
for 10 and 12 mm glass in combination with acrylic semi-circular rod (art. no. 8538KU5, radius = 5 mm)



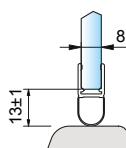
art. no. 8864KU0-12-2500
for 10 and 12 mm glass in combination with acrylic semi-circular rod (art. no. 8539KU5, radius = 10 mm)



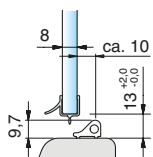
art. no. 8876KU0-12-2500
for 10 and 12 mm glass



art. no. 8864KU0-8-2010
for 6 and 8 mm glass in combination with splash guard (art. no. 8590E6EV5-2010)

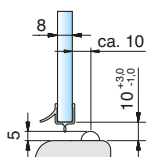


art. no. 8842KU0-8-2500
for 8 mm glass, length 2500 mm

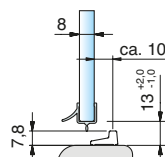


art. no. 8879KU0-8-2010
for 8 mm glass in combination with splash guard (art. no. 8535E6EV5)

attention! the profile has to be cut for the end pieces left / right and the corner connector 90°.

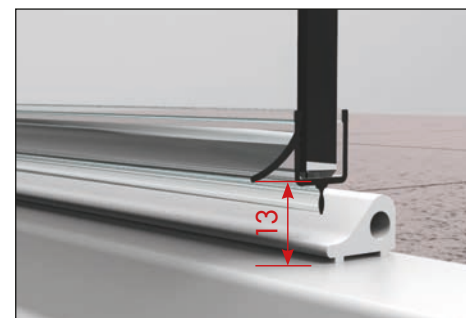


art. no. 8879KU0-8-2010
for 8 mm glass in combination with acrylic semi-circular rod (art. no. 8538KU5, radius = 5 mm)



art. no. 8879KU0-8-2010
for 8 mm glass in combination with splash guard (art. no. 8590E6EV5-2010)

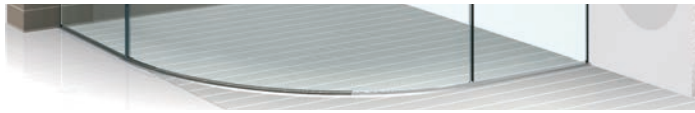
attention! the profile has to be cut for the 90° corner connector, all other cover caps do not fit!



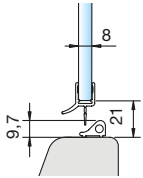
*article no. end: E6/EV5=aluminium special etched anodised gloss chrome finish; EO/14=aluminium white powder coated, RAL 9016; KU0=plastic natural color opaque
Please note: the mentioned reduction measurements are only valid for 8 or 10 mm glass! Reduction measurement for 6 or 12 mm glass are available upon request.



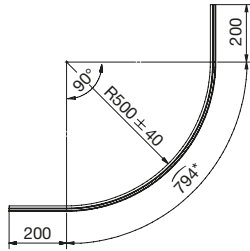
accessories – sealing profiles with deep glass inset



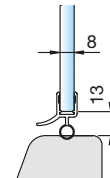
sealing profiles for the lower shower edge, bent



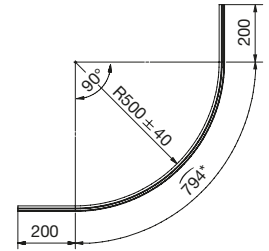
art. no. 8868KU0-8-R500
for 6 and 8 mm glass in combination with curved splash guard for tube radius R500-550 winding off = 1194 mm (art. no. 8881 and 8882-R500)



art. no. 8881E6/EV5-R500
art. no. 8882E6/EV5-R550
art. no. 8881E0/14-R500
art. no. 8882E0/14-R550



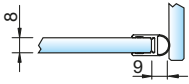
art. no. 8867KU0-8-R500
curved for tube radius R500 - 550 for 6 and 8 mm glass winding off = 1194 mm



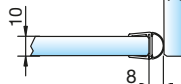
* außen



sealing profiles for glass-glass 90°



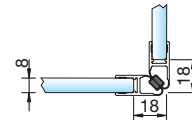
art. no. 8861KU0-8-2010
art. no. 8861KU0-8-2500
for 6 and 8 mm glass for an one sided opening shower hinge or pendulum shower hinge



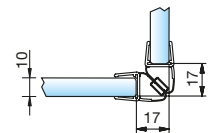
art. no. 8861KU0-12-2500
art. no. 8861KU0-12-3000
for 10 and 12 mm glass for an one sided opening shower hinge or pendulum shower hinge



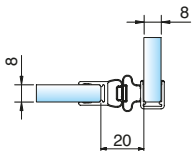
art. no. 8855KU0-8-2010
art. no. 8855KU0-8-2500
for 6 and 8 mm glass for an outward opening shower hinge



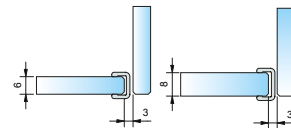
art. no. 8851KU0-8-2010
art. no. 8851KU0-8-2500
for 6 and 8 mm glass for an outward opening shower hinge



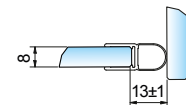
art. no. 8851KU0-12-2500
for 10 and 12 mm glass for an outward opening shower hinge



art. no. 8849KU0-8-2500
for 6 and 8 mm glass for an one sided opening shower hinge or pendulum shower hinge



art. no. 8848KU0-6-2010
art. no. 8848KU0-8-2500
for 6 or 8 mm glass

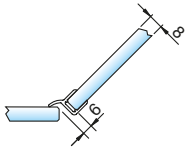


art. no. 8842KU0-8-2500
for 8 mm glass, length 2500 mm

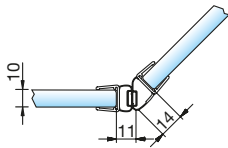
Please note: the mentioned reduction measurements are only valid for 8 or 10 mm glass! Reduction measurement for 6 or 12 mm glass are available upon request.



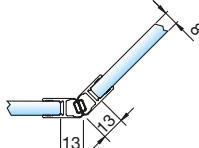
sealing profiles for glass-glass 135°



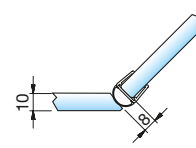
art. no. 8860KU0-8-2010
art. no. 8860KU0-8-2500
for 6 and 8 mm glass for an inward opening shower hinge



art. no. 8875KU0-12-2500
for 10 and 12 mm glass for an one sided opening shower hinge or pendulum shower hinge



art. no. 8853KU0-8-2010
art. no. 8853KU0-8-2500
for 6 and 8 mm glass for an outward opening shower hinge



art. no. 8861KU0-12-2500
art. no. 8861KU0-12-3000
for 10 and 12 mm glass for a pendulum shower hinge

*article no. end: KU0 = plastic natural color opaque

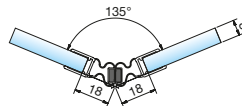


sealing profile for glass-glass, angle flexible

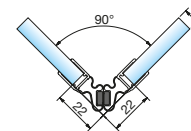
art. no. 8874KU0-8-2010
art. no. 8874KU0-8-2500
for 6 and 8 mm glass for an outward opening shower hinge



application 180°



application 135°



application 90°

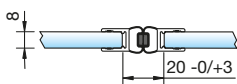
reduction measurement 8 mm glass

installation angle	red. measurement
90°	22 mm
105°	21 mm
120°	19 mm
135°	18 mm
150°	16 mm
165°	16 mm
180°	15,5 mm

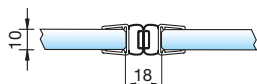
*article no. end: E6/EV5=aluminium special etched anodised glass chrome finish; E0/14 =aluminium white powder coated, RAL 9016; KU0 = plastic natural color opaque
Please note: the mentioned reduction measurements are only valid for 8 or 10 mm glass! Reduction measurement for 6 or 12 mm glass are available upon request.



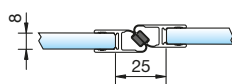
sealing profiles for glass-glass 180°



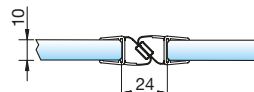
art. no. 8850KU0-8-2010
art. no. 8850KU0-8-2500
for 6 and 8 mm glass for a
pendulum shower hinge



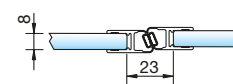
art. no. 8850KU0-12-2500
for 10 and 12 mm glass for a
pendulum shower hinge



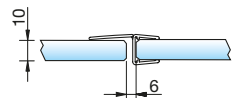
art. no. 8852KU0-8-2010
art. no. 8852KU0-8-2500
for 6 and 8 mm glass for a shower
hinge opening to one side



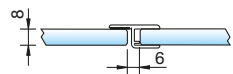
art. no. 8852KU0-12-2500
for 10 and 12 mm glass for a
shower hinge opening to one side



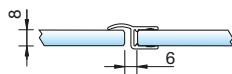
art. no. 8854KU0-8-2010
art. no. 8854KU0-8-2500
for 6 and 8 mm glass for a shower
hinge opening to one side



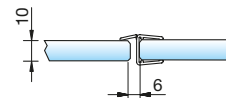
art. no. 8869KU0-12-2500
for 10 and 12 mm glass for a
shower hinge opening to one side



art. no. 8856KU0-8-2010
art. no. 8856KU0-8-2500
for 6 and 8 mm glass for a shower
hinge opening to one side



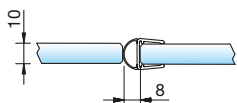
art. no. 8857KU0-8-2010
art. no. 8857KU0-8-2500
for 6 and 8 mm glass for a shower
hinge opening to one side



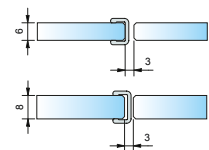
art. no. 8857KU0-12-2500
for 10 and 12 mm glass for a
shower hinge opening to one side



art. no. 8861KU0-8-2010
art. no. 8861KU0-8-2500
for 6 and 8 mm glass for a
pendulum shower hinge

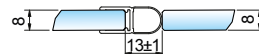


art. no. 8861KU0-12-2500
art. no. 8861KU0-12-3000
for 10 and 12 mm glass for a
pendulum shower hinge

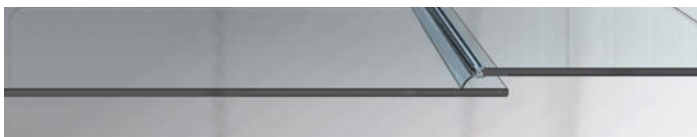


Art.-Nr. 8848KU0-6-2010
Für 6 oder 8mm Glas

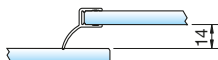
Art.-Nr. 8848KU0-8-2500



art. no. 8842KU0-8-2500
for 8 mm glas, length 2500 mm



sealing profiles for glass-glass 180° overlapping



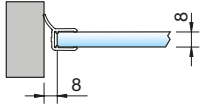
art. no. 8858KU0-8-2010
art. no. 8858KU0-8-2500
for 6 and 8 mm glass for an
outward opening shower hinge

*article no. end: KUO = plastic natural color opaque

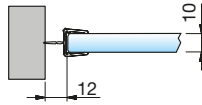
Please note: the mentioned reduction measurements are only valid for 8 or 10 mm glass! Reduction measurement for 6 or 12 mm glass are available upon request.



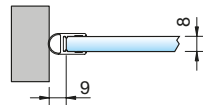
sealing profiles for door/wall 90° (hinge side)



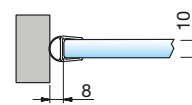
art. no. 8862KU0-8-2010
art. no. 8862KU0-8-2500
for 6 and 8 mm glass as a sealing
to the wall for an outward open-
ing shower hinge



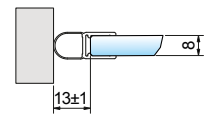
art. no. 8876KU0-12-2500
for 10 and 12 mm glass for a
pendulum shower hinge



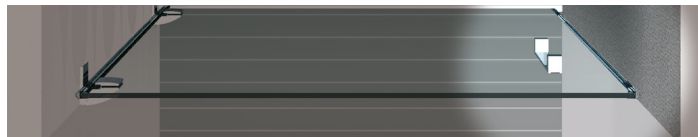
art. no. 8861KU0-8-2010
art. no. 8861KU0-8-2500
for 6 and 8 mm glass as a sealing
to the wall for an inward and
outward opening shower hinge



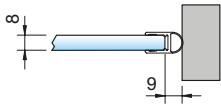
art. no. 8861KU0-12-2500
art. no. 8861KU0-12-3000
for 10 and 12 mm glass as a sealing
to the wall for an inward and
outward opening shower hinge



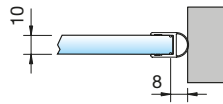
art. no. 8842KU0-8-2500
for 8 mm glass, length 2500 mm



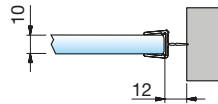
sealing profiles for door/wall 90° (handle side)



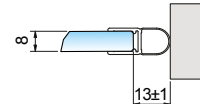
art. no. 8861KU0-8-2010
art. no. 8861KU0-8-2500
for 6 and 8 mm glass as a sealing
to the wall for a pendulum shower
hinge



art. no. 8861KU0-12-2500
art. no. 8861KU0-12-3000
for 10 and 12 mm glass as a sealing
to the wall for a pendulum shower
hinge



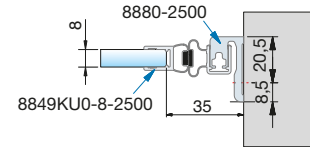
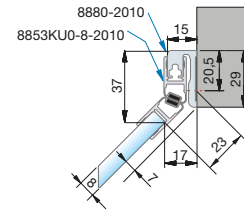
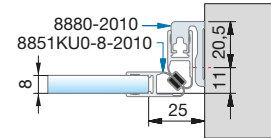
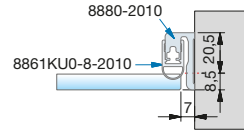
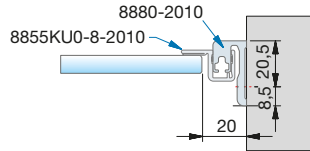
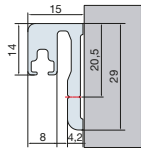
art. no. 8876KU0-12-2500
for 10 and 12 mm glass as a sealing
to the wall for a pendulum shower
hinge



art. no. 8842KU0-8-2500
for 8 mm glass, length 2500 mm

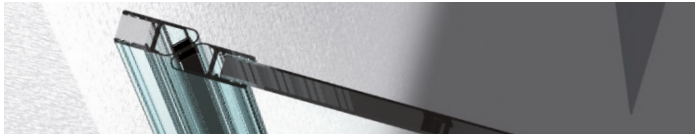


carrier profile for door stop

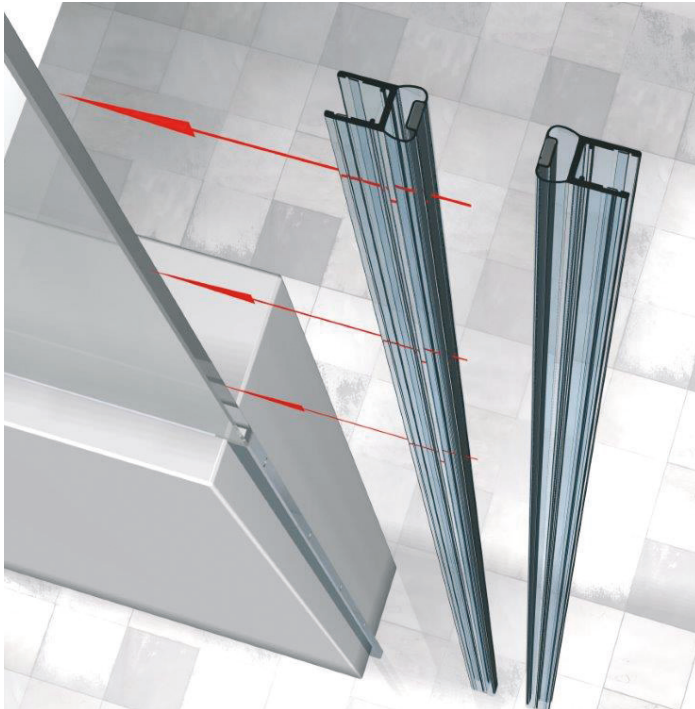


art. no. 8880 *-2010
length = 2010 mm, finished see article-no.-end
art. no. 8880 *-2500
length = 2500 mm, finished see article-no.-end

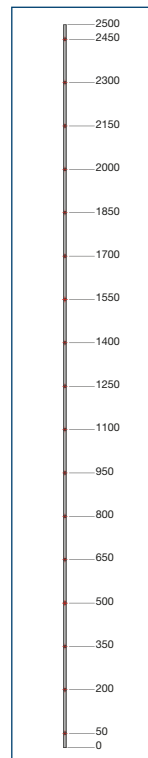
*article no. end: E6/EV1 =aluminium special etched anodised natural color; E6/EV5=aluminium special etched anodised gloss chrome finish; E1/23 =aluminium ground anodised nickel silver (stainless steel optic); KU0 = plastic natural color opaque



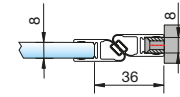
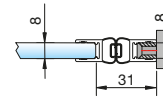
carrier profile for sealing profile



bore gaps

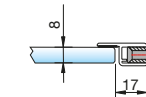
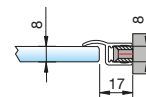


applications profile



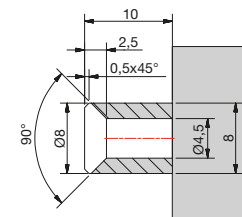
with sealing profile 8850KU-8 and carrier section 8883E6EV1-8

with sealing profile 8852KU-8 and carrier section 8883E6EV1-8



with sealing profile 8857KU-8 and carrier section 8883E6EV1-8

with sealing profile 8856KU-8 and carrier section 8883E6EV1-8



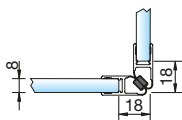
art. no. 8883E6EV1-8-2500

*article no. end: E6EV1 =aluminium special etched anodised natural color

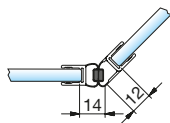
Please note: the mentioned reduction measurements are only valid for 8 or 10 mm glass! Reduction measurement for 6 or 12 mm glas are available upon request.



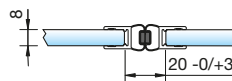
sealing profiles chrome decor



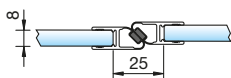
art. no. 8851KU7-8-2010
sealing profile for glass-glass 90°
for 6 and 8 mm glass for a
double-sided opening.



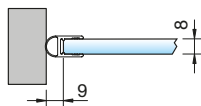
art. no. 8875KU7-8-2010
sealing profile for glass-glass 135°
for 6 and 8 mm glass for a double-
sided opening.



art. no. 8850KU7-8-2010
sealing profile for glass-glass 180°
for 6 and 8 mm glass for a double-
sided opening.



art. no. 8852KU7-8-2010
sealing profile for glass-glass 180°
for 6 and 8 mm glass for a shower
hinge opening to one side

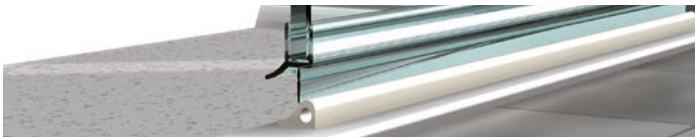


art-no. 8861KU7-8-2010
sealing profile for laterally wall-
connection 90° (side of the hinge)
for 6 and 8 mm glass for a double-
sided opening.

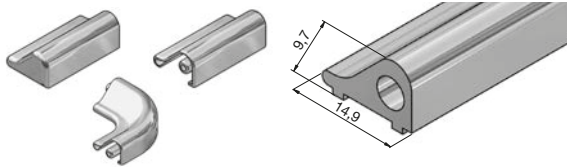


accessories

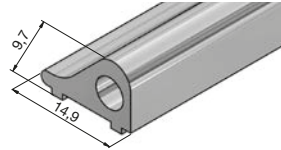
*article no. end: KU7=plastic gloss chrome finish



splash guards



art. no. SET-8535E6/EV5-1860
 art. no. SET-8535E0/14-1860
 splash guard with a length of 1860 mm
 incl. 1x end piece left, 1x end piece right, 1x splash guard corner 90°



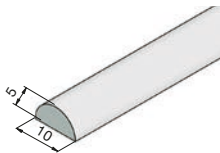
art. no. 8535E6/EV5-1860
 art. no. 8535E0/14-1860
 splash guard with a length of 1860 mm



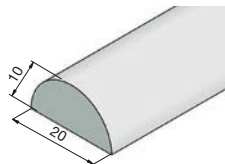
art. no. 8535AL35-1400
 art. no. 8535AL36-1400
 splash guard with a length of 1400 mm



art. no. SET-8536E6EV5-90
 art. no. SET-8536E0/14-90
 1x end piece left, 1x end piece right, 1x splash guard corner 90°



art. no. 8538KU5
 splash guard with a length of 2000 mm



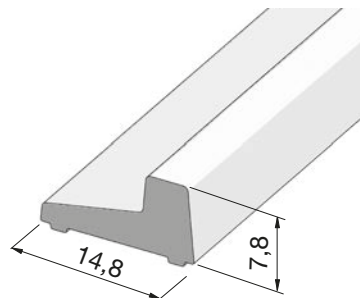
art. no. 8539KU5
 splash guard with a length of 2000 mm

*article no. end: E6/EV5=aluminium special etched anodised gloss chrome finish; E0/14 =aluminium white powder coated, RAL 9016; KU5 = plastic chrystal clear; AL35 = black matt (RAL9005); AL36 = black gloss (RAL9005);
 Please note: the mentioned reduction measurements are only valid for 8 or 10 mm glass! Reduction measurement for 6 or 12 mm glas are available upon request.

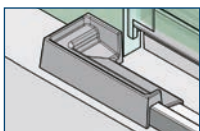


art. no. 8590E6EV5-2010
 splash protection profile square cut length 2010 mm
 art. no. 8590AL35-1400
 art. no. 8590AL36-1400
 splash protection profile square cut length 1400 mm

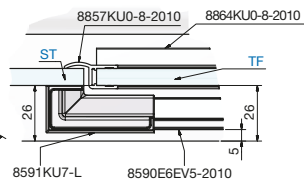
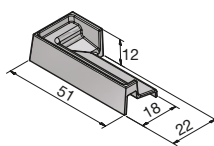
end caps and connectors for square splash guards



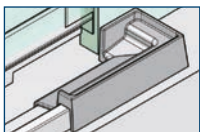
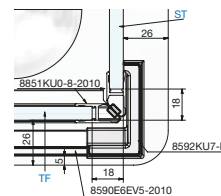
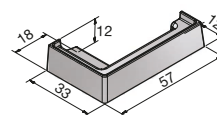
end caps and connectors for square splash guards



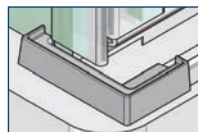
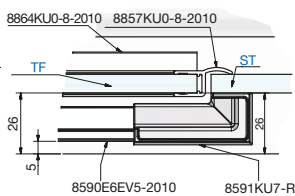
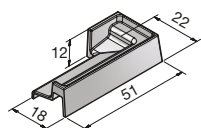
art. no. 8591KU7-L
 end cap small left



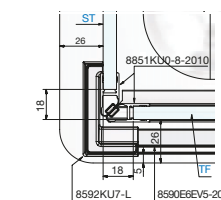
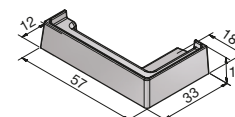
art. no. 8592KU7-R
 90° end cap wide right



art. no. 8591KU7-R
 end cap small right



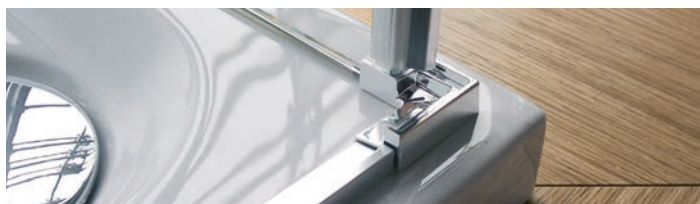
art. no. 8592KU7-L
 90° end cap wide left



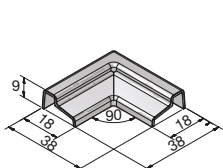
ST = side panel

TF = door panel

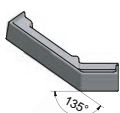
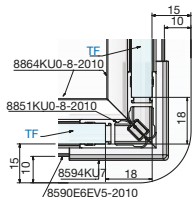
*article no. end: E6/EV5=aluminium special etched anodised gloss chrome finish; KU0 = plastic natural color opaque; KU7 = plastic gloss chrome finish; AL35 = black matt (RAL9005); AL36 = black gloss (RAL9005);



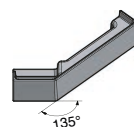
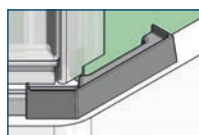
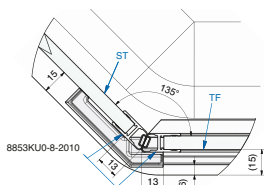
end caps and connectors for square splash guards



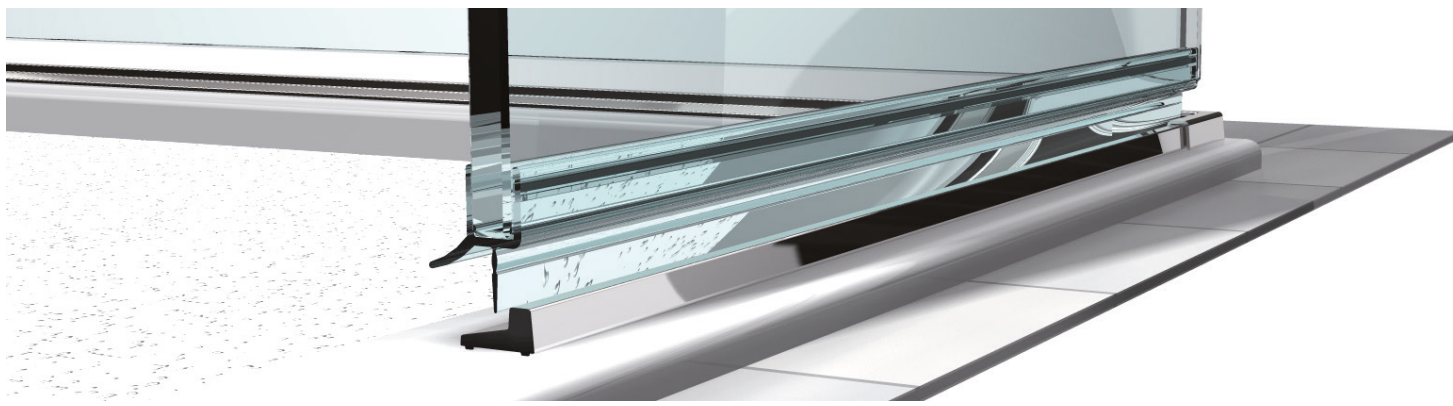
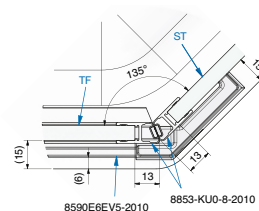
art. no. 8594KU7
90° corner connector



art. no. 8597KU7-L
end cap 135°
left – door hinge right



art. no. 8597KU7-R
end cap 135°
right – door hinge left



ST = side panel TF = door panel

*article no. end: E6/EV5=aluminium special etched anodised gloss chrome finish; KU0 = plastic natural color opaque; KU7 = plastic gloss chrome finish



seal profiles with a reduced glass insertion in transparent and black



accessories



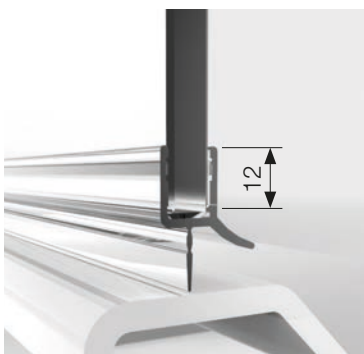
example: gloss black

The bathroom design is receiving more and more attention and the desire for individualization is getting stronger. Again, we set new accents for surfaces and colors. we not only offer you the newest trend colors with matching accessories for FLAMEA+, FARDELLO, PAVONE and FARFALLA series, but our seal profiles are also available with a new look. The reduced glass insertion of our new seal profiles offers even more possibilities in the design of exciting shower solutions.

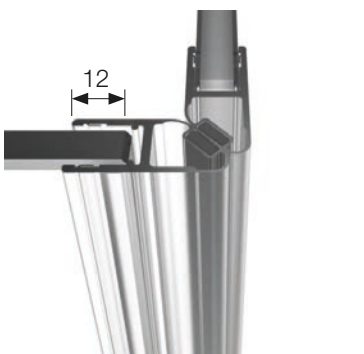
**Black
EDITION**



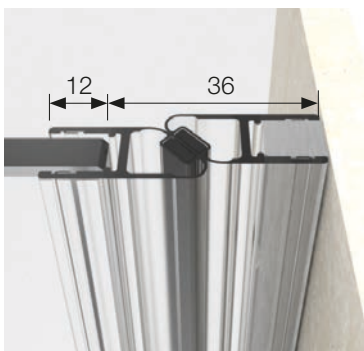
art-no.
8863KU0-8-2010
natural color
opaque



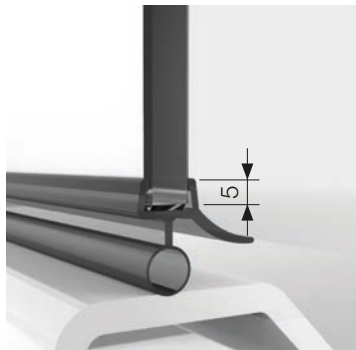
art-no.
8864KU0-8-2010
natural color
opaque



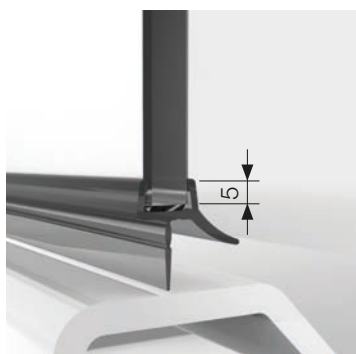
art-no.
8851KU0-8-2010
natural color
opaque



art-no.
8852KU0-8-2010
natural color
opaque



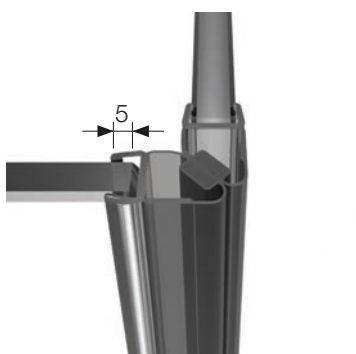
art-no.
8863KU0-8K-2010
natural color opaque
8863KU3-8K-2010
black



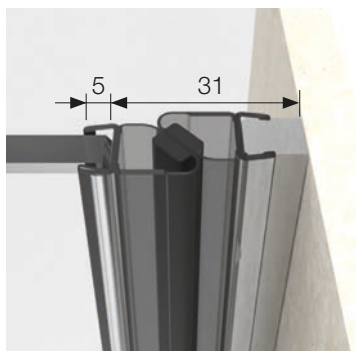
art-no.
8864KU0-8K-2010
natural color opaque
8864KU3-8K-2010
black



with splash guard
8590E6EV5-2010



art-no.
8851KU0-8K-2500
natural color opaque
8851KU3-8K-2500
black



art-no.
8852KU0-8K-2500
natural color opaque
8852KU3-8K-2500
black



version glass-glass

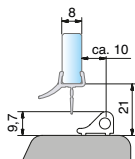


**Black
EDITION**

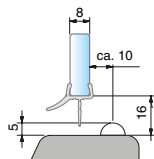
seal profiles with a reduced glass insertion in transparent and black



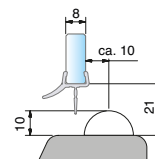
for sealing profiles for shower door/tray



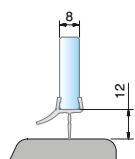
art-no. 8864KU0-8K-2010
art-no. 8864KU3-8K-2010
for 8 mm glass in combination
with splash guard
(art. no. 8535E6EV5)



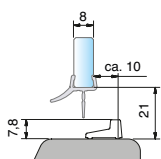
art-no. 8864KU0-8K-2010
art-no. 8864KU3-8K-2010
for 8 mm glass in combination
with acrylic semi-circular rod (art.
no. 8538KU5, radius = 5 mm)



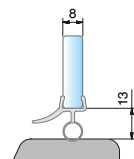
art-no. 8864KU0-8K-2010
art-no. 8864KU3-8K-2010
for 8 mm glass in combination
with acrylic semi-circular rod (art.
no. 8539KU5, radius = 10 mm)



art-no. 8864KU0-8K-2010
art-no. 8864KU3-8K-2010
for 8 mm glass in combination
with acrylic semi-circular rod (art.
no. 8539KU5, radius = 10mm)



art-no. 8864KU0-8K-2010
art-no. 8864KU3-8K-2010
for 8 mm glass in combination
with splash guard
(art-no. 8590E6EV5-2010)



art-no. 8863KU0-8K-2010
art-no. 8863KU3-8K-2010
for 8 mm glass

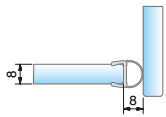
*article no. end: KU0 = plastic natural color opaque; KU3 = plastic natural color black

**Black
EDITION**

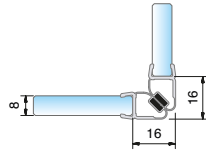
seal profiles with a reduced glass insertion in transparent and black



sealing profiles for glass-glass 90°



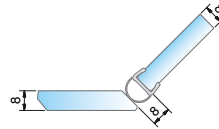
art-no. 8861KU0-8K-2010
art-no. 8861KU3-8K-2010
for 8 mm glass for an one sided opening shower hinge or pendulum shower hinge



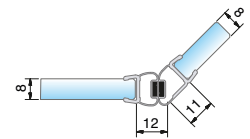
art-no. 8851KU0-8K-2010
art-no. 8851KU3-8K-2010
for 8 mm glass for an one sided opening shower hinge or pendulum shower hinge



sealing profiles for glass-glass 135°



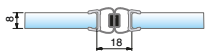
art-no. 8861KU0-12-2500
art-no. 8861KU0-12-3000
for 8 mm glass for an pendulum shower hinge



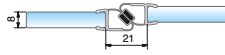
art-no. 8875KU0-12-2500
for 8 mm glass for an one sided opening shower hinge or pendulum shower hinge



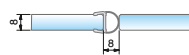
sealing profiles for Glas-Glas 180°



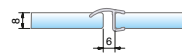
art-no. 8850KU0-8K-2010
art-no. 8850KU3-8K-2010
for 8 mm glass for an pendulum shower hinge



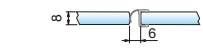
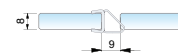
art-no. 8852KU0-8K-2010
art-no. 8852KU3-8K-2010
for 8 mm glass for an one sided opening shower hinge



art-no. 8861KU0-8K-2010
art-no. 8861KU3-8K-2010
for 8 mm glass for an pendulum shower hinge



art-no. 8857KU0-8K-2010
art-no. 8857KU3-8K-2010
for 8 mm glass for an one sided opening shower hinge



art-no. 8865KU0-8-2010
art-no. 8865KU0-8-2500
for 8 mm glass for an one sided opening shower hinge

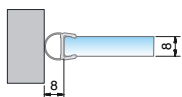


**Black
EDITION**

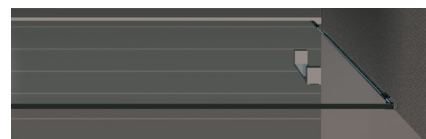
seal profiles with a reduced glass insertion in transparent and black



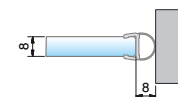
sealing profiles for door/wall 90°
(hinge side)



art.-no. 8861KU0-8K-2010
art.-no. 8861KU3-8K-2010
for 8 mm glass as a sealing to the wall for an pendulum shower hinge



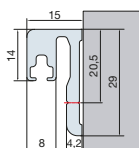
sealing profiles for door/wall 90°
(handle side)



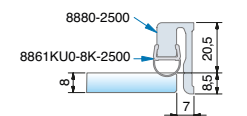
art.-no. 8861KU0-8K-2010
art.-no. 8861KU3-8K-2010
for 8 mm glass as a sealing to the wall for an pendulum shower hinge



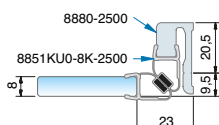
sealing profile on carrier profile for door stop



art. no. 8880_*-2010
length = 2010 mm, finished see article-no.-end
art. no. 8880_*-2500
length = 2500 mm, finished see article-no.-end



art.-no. 8861KU0-8K-2010
art.-no. 8861KU3-8K-2010
for 8 mm glass
carrier profile for door stop



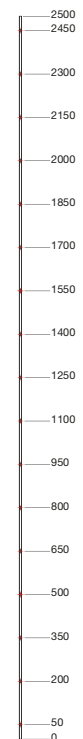
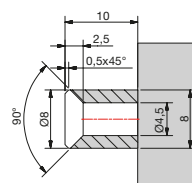
art.-no. 8851KU0-8K-2010
art.-no. 8851KU3-8K-2010
for 8 mm glass
carrier profile for door stop

*art.-no.-material/Oberfläche: E6/EV1 = aluminium special etched anodised natural color; E6/EV5 = aluminium special etched anodised gloss chrome finish; E0/14 = aluminium white powder coated, RAL 9016; KU0 = plastic natural color opaque; KU3 = plastic natural color black

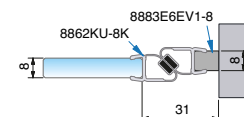


carrier profile for sealing profile

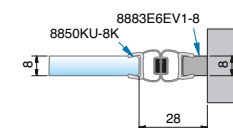
hole gaps



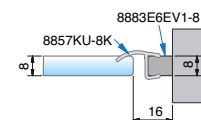
profile applications



for 8 mm glass
with sealing profile
8852KU0-8K-2500 / 8852KU3-8K-2500
and carrier profile 8883E6EV1-8



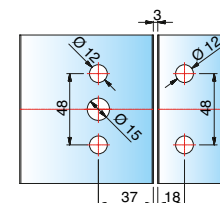
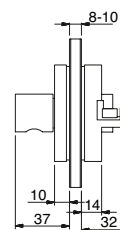
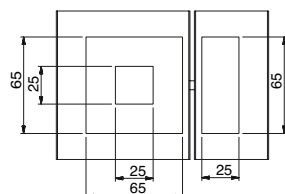
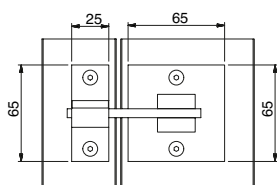
for 8 mm glass
with sealing profile
8850KU0-8K-2500 / 8850KU3-8K-2500
and carrier profile 8883E6EV1-8



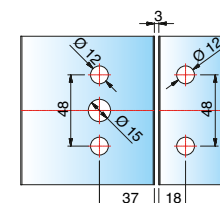
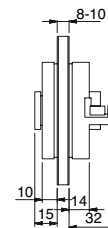
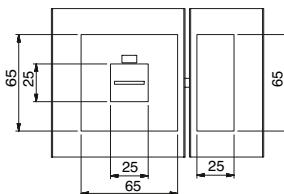
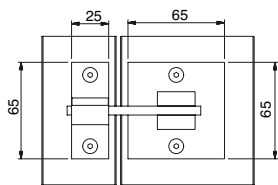
for 8 mm glass
with sealing profile
8857KU0-8K-2500 / 8857KU3-8K-2500
and carrier profile 8883E6EV1-8



accessories - glass door lock



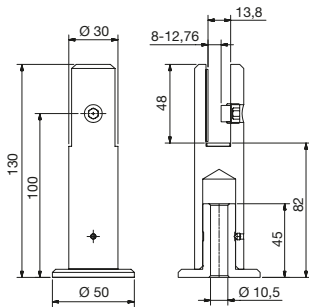
article no.	finish	glass thickness	article description	features	pu/pieces
8374MS7	gloss chrome finish	6-10 mm	glass door lock with locker and striking box	with outer adjusting knob and locking pin inside	1/1



article no.	finish	glass thckn.	article description	features	pu/pieces
8375MS7	gloss chrome finish	6-10 mm	glass door lock with locker and striking box	with viewing pane red/green and locking pin inside	1/1

Not for busy and public areas! Ask us. We will help you.





article no.	finish	plate thickness	article description	pu/pieces
31322VA2	stainless steel	≤ 12 mm	floor mount for vertical mount of glass	1/1

DESIGNED IN GERMANY



you can find the FLAMEA+ hinge 8136ZN on page 51.



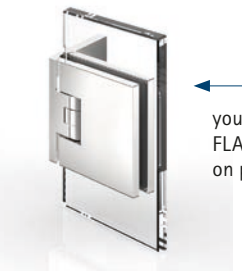
8375MS7



you can find the FLAMEA+ in our new "World of interior".



you can find the angle connector 8197ZN on page 53



you can find the FLAMEA+ hinge 8130ZN on page 48.



accessories

For the stability of the shower, we recommend that you do not install the round or square support bar longer than 1200 mm.
A shower with a railing system over a certain size, will never have the same stability as a shower with a support bar and T-adapter.

Attention: Depending on load, door size and requirements for the stiffness, additional bracing parts will be required. Depending on size of the side parts, the quantity of the ground anchors has to be adapted. Doors have to be limited regarding their opening path. For that purpose, overopening limitations and opening limiter have to be installed. Our application engineers would appreciate to assist you.



accessories

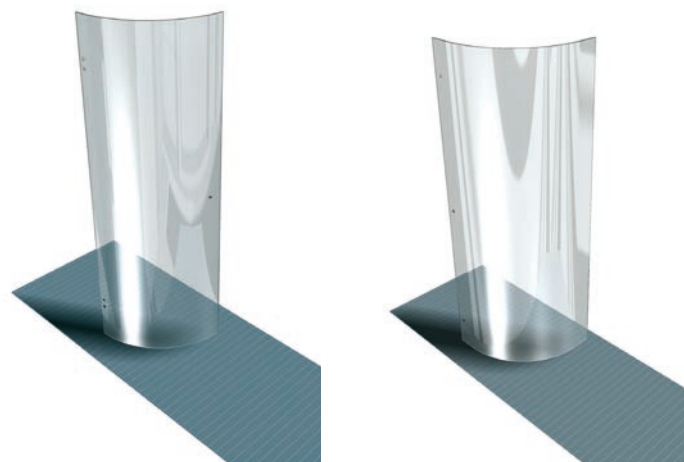
general remarks for bent glass:

tolerance:

- dimensional tolerances = ± 2 mm per running meter
- offset (twist) = max. ± 3 mm per running meter
- deflection of the height edges = max. ± 3 mm per running meter
- deviation of contour accuracy = max. ± 3 mm per running meter
- curvatures in the area of the run-off edges possible

anisotropies:

Anisotropies are formed in glass that has undergone a thermal tempering process. the different stress zones result in birefringence. A birefringence occurs due to the different stress zones of the light rays. Only the polarized parts of the daylight make this phenomenon visible through spectral colored rings, cloud images and the like. These appearances are production-related and are not reasons for complaint.





8570VA R500

glass-set for 8570VA R500

glass processing:
tempered safety glass 8 mm, all edges ground and polished

shower tray*: 900 x 900 mm for R500
shower height: 2000 mm



article no.	1 set consists of
8581GLAS-R500-900	2 x side panel 2 x wing of door R500

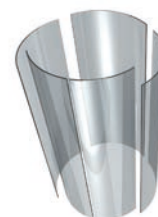


8522VA

glas-sset for 8522VA

glass processing:
tempered safety glass 8 mm, all edges ground and polished

Ø 1080mm
shower height: 2000 mm



article no.	1 set consists of
1 x 8525-1GLAS-R515	3 x side panel
1 x 8525-2GLAS-R515	2 x wing of door R515
3 x 8525-3GLAS-R540	

* up to the bottom edge guiding rail

note: all prices upon inquiry!

accessories – glass panels



glass processing:
tempered safety glass 6 mm, clear: 1 bore ø 14 mm;
4 bores ø 18 mm
all edges ground and polished



glass processing:
tempered safety glass 6 mm, clear: 1 bore ø 14 mm;
4 bores ø 18 mm
all edges ground and polished



article no.	article description	pu/pieces
8144GLAS-R500	bent door panel for FARFALLA, PAPILLON and PILLANGO h 2000 mm, R500	1/1
8143GLAS-R550	bent door panel for FARFALLA, PAPILLON and PILLANGO h 2000 mm, R550	1/1

article no.	article description	pu/pieces
8147-1GLAS-R500	bent door panel for FARFALLA and PILLANGO h 2000 mm, R500	1/1
8147-1GLAS-R550	bent door panel for FARFALLA and PILLANGO h 2000 mm, R550	1/1



type 501



type 503



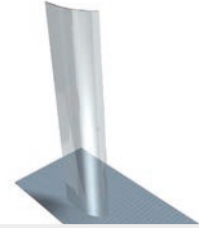
type 502

glass processing:
tempered safety glass 6 mm, clear; 1 hole ø 14 mm;
4 hole ø 16 mm
all edges ground and polished

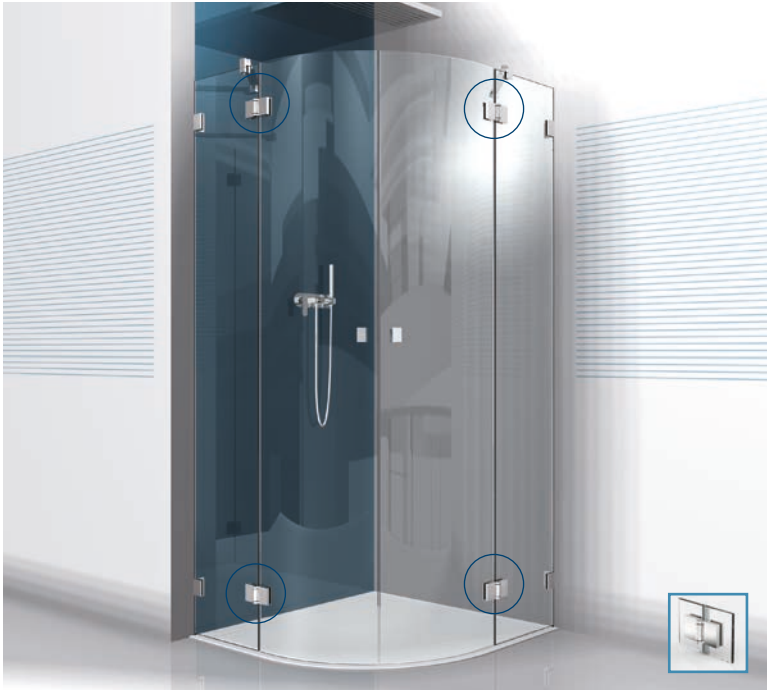


article no.	article description	pu/pieces
8146-1GLAS-R500	bent door panel for FLINTER, h 2000 mm, R500	1/1
8146-1GLAS-R550	bent door panel for FLINTER, h 2000 mm, R550	1/1

glass processing:
tempered safety glass 6 mm, clear; 1 hole ø 14 mm
all edges ground and polished



article no.	article description	pu/pieces
8145-1GLAS-R500	bent door panel for FLUTURE, h 2000 mm, R500	1/1
8145-1GLAS-R550	bent door panel for FLUTURE, h 2000 mm, R550	1/1



accessories



type 502

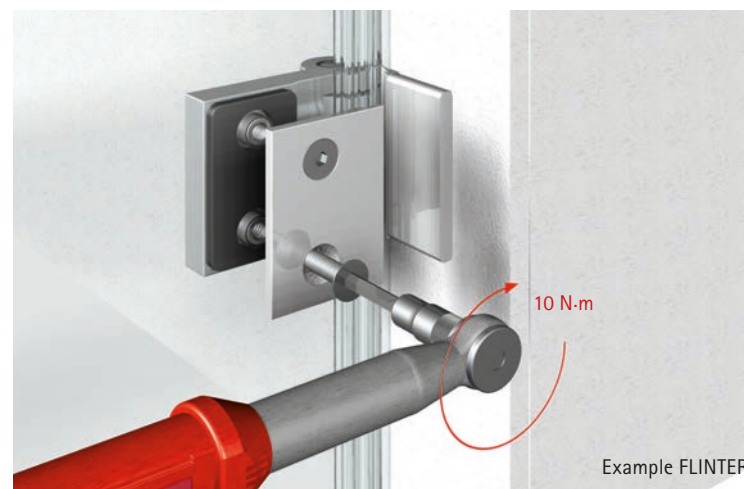


type 502



8000ST8, torque wrench with setting scale

size = maximum torque	Nm	20
tightening value (scale range)	Nm	4-20
scale graduation, 1 graduation =	Nm	0,1
overall length	mm	230
weight	kg	0,4
square drive inch	inch	1/4"



article no.	article description	pu/pieces
8000ST8	torque wrench with setting scale – automatic triggering	1/1

accuracy: ± 3 % of indicated

version: robust torque wrench, adjustable with micrometer scale, with protection against accidental changes to the setting. integral ratchet to accept sockets. Size 20 – with reversible ratchet and fixed square drive pin – only for right-hand tightening.

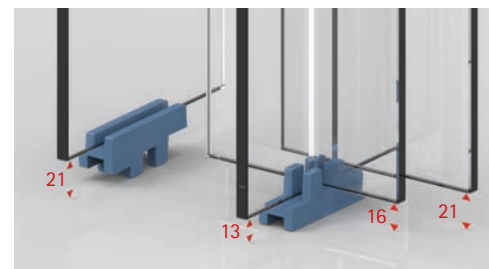
function: on reaching the set torque value the wrench triggers "indicating" (audibly and perceptible) and is then again immediately ready for use.

application: for controlled tightening of screws to pre-set torque.

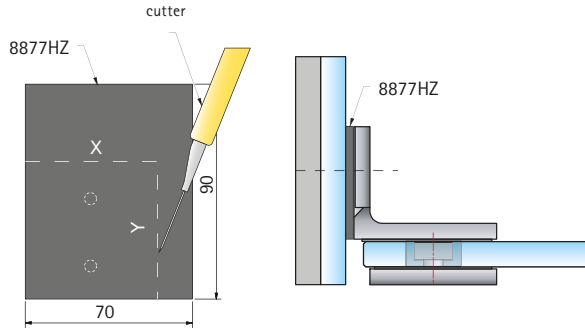
accessories



article no.	article description	pu/pieces
Z061	scissors for sealing profiles	1/1
Z061-1	1x replacement blade for Z061	1/1
Z061-5	5x replacement blade for Z061	1/1



article no.	article description	pu/pieces
8840KU-PS	assembly aid support for shower doors	1/1

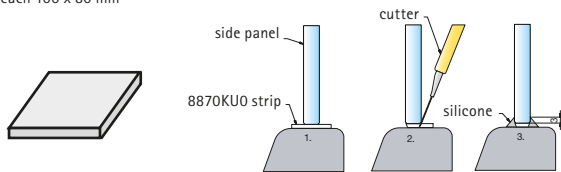


article no.	article description	pu/pieces
8877HZ	for installation of hinges for glass walls	1/1

article no.	thickness	article description	pu
8890-1KU0-1	1 mm	assembly aid - spacer and support block	25 pieces
8890-1KU0-2	2 mm		
8890-1KU0-3	3 mm		
8890-1KU0-4	4 mm		
8890-1KU0-5	5 mm		
8890-1KU0-6	6 mm		
8890-1KU0-8	8 mm		
8890-1KU0-10	10 mm		

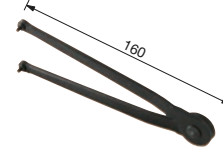


combined in one bag; each 100 x 80 mm



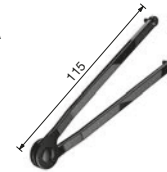
article no.	article description	pu/pieces
8870KU0	each 2 plates of soft PVC in 2 and 3 mm thickness	1/1

for adjustment of the VIVERE extender wheel



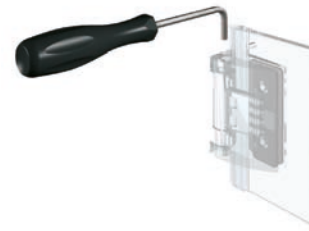
article no.	article description	pu/pieces
Z058	adjustable face spanner Ø 3 mm	1/1

for installation of point-fixed, e.g. for 7772VA



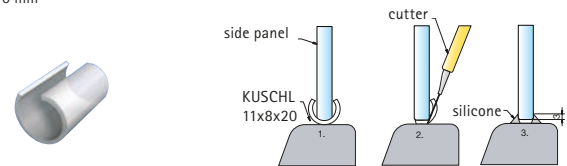
article no.	article description	pu/pieces
Z059	adjustable face spanner Ø 2,5 mm	1/1

for shower door hinge PILLANGO

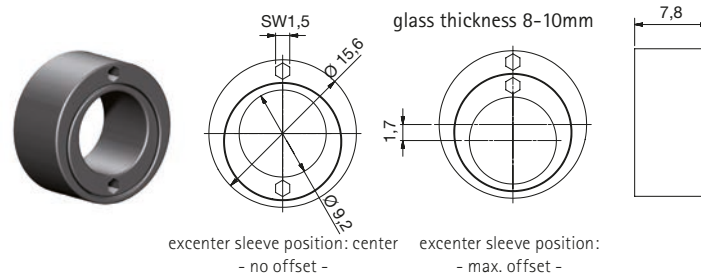
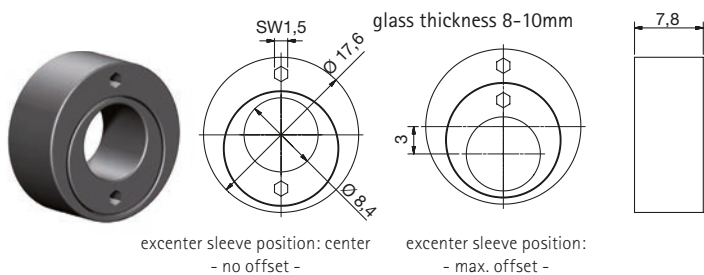


article no.	article description	pu/pieces
8479ST8	allen wrench angular 4 mm	1/1

glass thickness: 6-10 mm



article no.	article description	pu/pieces
KUSCHL11X8X20	plastic tubing (1,5 mm) for security glass edges	1/1

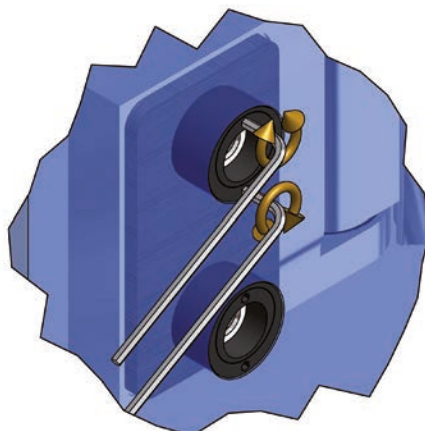
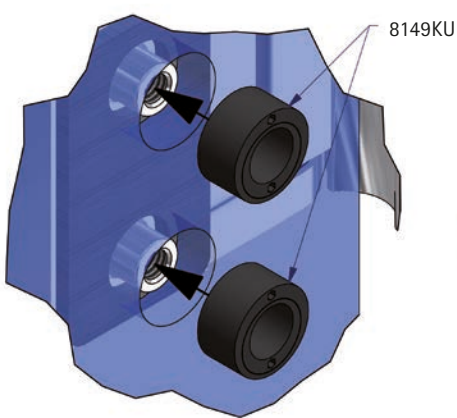
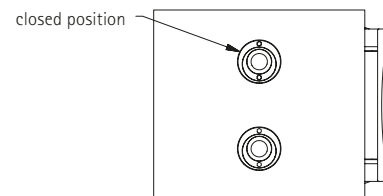
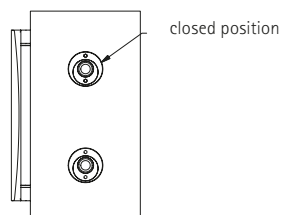


position of excenter sleeve can be freely selected, adjustment by a hexagon socket wrench SW1.5mm

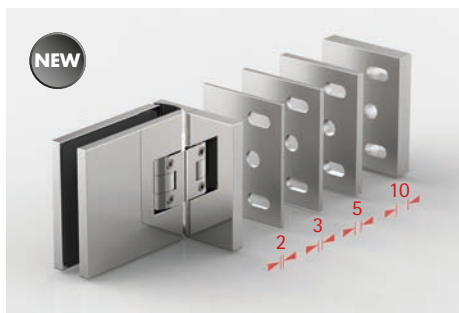
angle can be freely selected, adjustment by a hexagon socket wrench SW1.5mm

article no.	article description	pu/pieces
8121KU	double excenter sleeve for shower door hinge FARFALLA, PILLANGO and PAPILLON, sas well as for all fixations with glass drilling Ø 18mm and stud Ø 8,2mm	1/50

article no.	article description	pu/pieces
8149KU	double excenter sleeve for shower door hinge FLINTER and NIVELLO, as well as for all fixations with glass drilling Ø 16mm and stud Ø 9mm	1/50



the double excenter sleeves permit a better centering and fixation of the shower door hinge in the glass drilling.



article no.	finish	thickness	article description	pu/pieces
8130-30MS7-2	gloss chrome	2 mm	compensation shim for 8130ZN	1/1
8130-30MS7-3		3 mm		
8130-30MS7-5		5 mm		
8130-30MS7-10		10 mm		
8134-30MS7-2		2 mm	compensation shim for 8134ZN	1/1
8134-30MS7-3		3 mm		
8134-30MS7-5		5 mm		
8134-30MS7-10		10 mm		
8180-30MS7-2		2 mm	compensation shim for 8180ZN	1/1
8180-30MS7-3		3 mm		
8180-30MS7-5		5 mm		
8180-30MS7-10		10 mm		

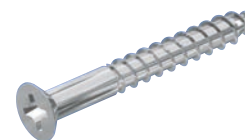


suitable for the series:
FLAMEA+ sauna and FARDELLO sauna

article no.	article description	pu/pieces
8878FKM-1	insert for glass cutout, 300x8x1 mm	1/1
8878FKM-2	insert for glass cutout, 300x8x2 mm	1/1



article no.	article description	pu/pieces
Z092VA	spax screw, countersink, TX25 drive 6x60 A2	1/1
Z092VA5		
Z092VA6		



article no.	article description	pu/pieces
7083-1VA	countersink wood screw recessed 6 x 50 mm	1/1
S7997A2D5X60	countersink wood screw recessed 5 x 60 mm	1/1

VA5 = stainless steel gloss chrome finish

VA6 = stainless steel matt chrome finish



article no.	article description	pu/pieces
C84	sample case swing door hinges	1/1



article no.	article description	pu/pieces
C85	sample case striker hinges	1/1



article no.	article description	pu/pieces
C86	sample case accessories	1/1



article no.	article description	pu/pieces
C88	sample plate case, overview of standard surface colors	1/1

article no.	article description	pu/pieces
C40	display for product samples FLAMEA	1/1
C41	display for product samples FLINTER	1/1
C42	display for product samples FLUTURE	1/1
C43	display for product samples PONTERE	1/1
C44	display for product samples FARFALLA	1/1
C45	display for product samples PILLANGO	1/1
C46	display for product samples PAPILLON	1/1
C47	display for product samples VIVERE II	1/1
C48	display for product samples NIVELLO	1/1
C49	display for product samples NIVELLO+	1/1
C55	display for product samples FLAMEA+	1/1
C87	display for product samples PAVONE	1/1
C89	display for product samples FARDELLO	1/1
C90	display for product samples TURA	1/1

article no.	article description	pu/pieces
8203CTP	gentle care - cleaning product for shower fixtures content 250 ml	1/1

description

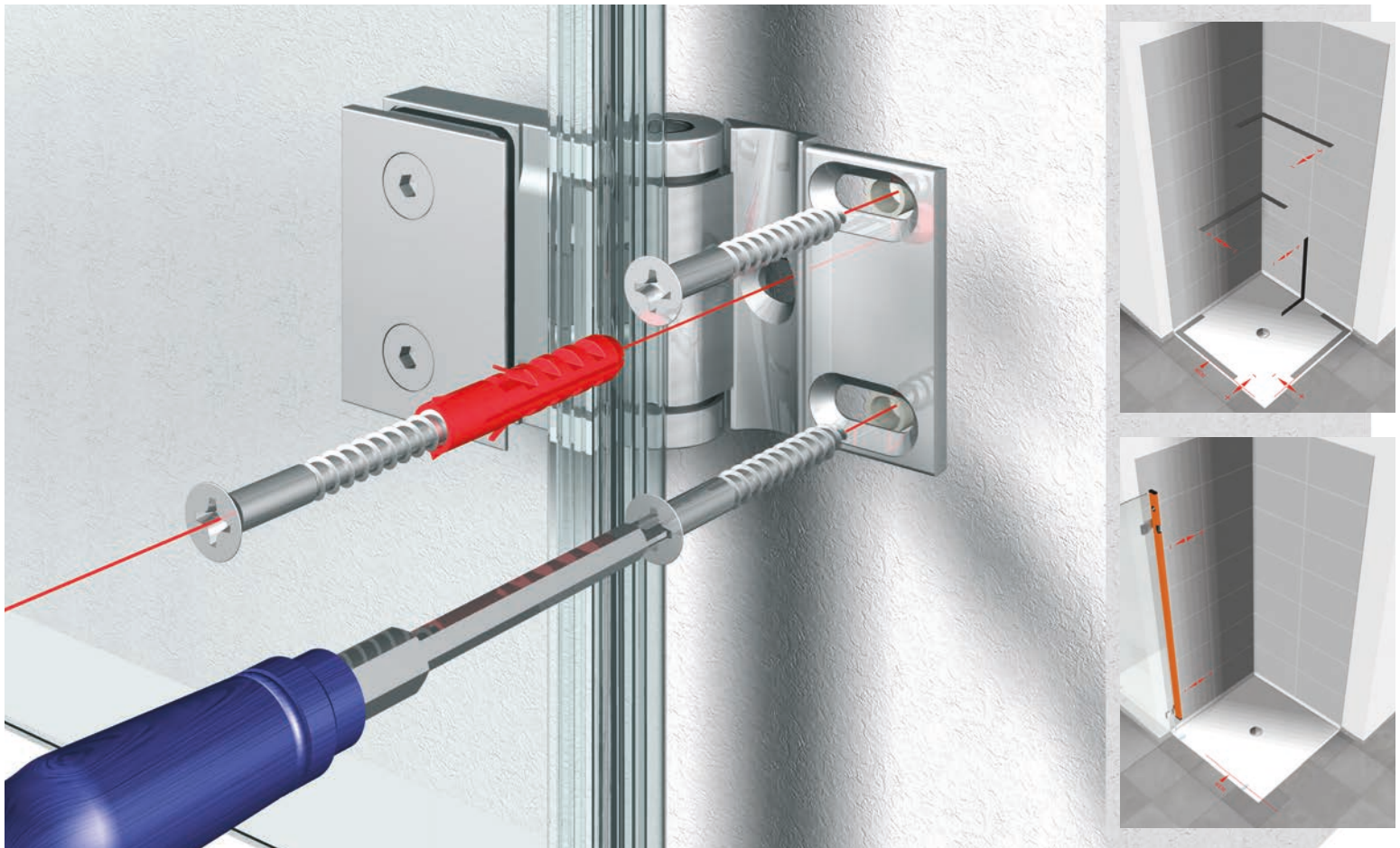
- special cleaner for the care of high-quality hardware and all metal surfaces
- for refined surfaces
- gentle cleaning and easy application
- reliably removes lime, grease and soap stains

application

Apply some gentle care to a soft, damp cloth and rub the surface to be cleaned without pressure. After a short reaction time, rinse thoroughly with clear water. Then polish with a soft, dry cloth.

Repeat the process for stubborn incrustations.





the proper assembling of magnificent bathrooms

Swing door hinge or shower door hinge with counter plate – the proper and correct assembly has fundamental influences on important functions and the durability of the system itself. Please always consider the provided assembly instructions for shower hinges and hand it over to the customer after installation. You can find important general remarks on the following pages and on www.pauli.de/en

Please consider:
in order to maintain the warranty, the installation has to be executed according to the assembly instruction

Montageanleitung/ assembly instruction 8130ZN

Duschpendeltürband Flamea+
shower swing door hinge Flamea+

Modell: Glas-Wand 90° beidseitig öffnend 90°
model: glass-wall 90° double-sided opening 90°

Glasdicke | glass thickness: 6/8/10 mm **Tragfähigkeit | load capacity**
20/25/30 kg

Die Duschbeschläge dürfen nur mit warmem Wasser und einem weichen Tuch feucht abgewischt und nachgetrocknet werden. Scharfe, aggressive, alkalische oder chlorhaltige Flüssigkeiten, Scheuermittel oder Lösungsmittel dürfen nicht verwendet werden. | The hinges may only be cleaned with warm water and a soft, wet cloth. Sharp, aggressive, alkaline or chlorinated cleaning, sanding or solvent cleaners may not be used.

Pauli + Sohn GmbH
Industriestraße 20 • 51527 Monach
Telefon: +49(0)2294-9803-0

Einstraße 2 • 51545 Waldbrunn
Telefon: +49(0)2291-9206-0

Stand: 08/2013
www.pauli.de
info@pauli.de

Pauli International

🔍 🏠 ☰

shower hinges
by series

■ PONTERE

■ FLAMEA+

■ FLAMEA+ SN

by function by application





assemble the shower

■ important steps for the proper installation

planning	→	select correctly	→	during the planning-process, you should find the best and most satisfying solution for the customer.	334
measurement	→	measure correctly	→	the right measurement is one of the most important duties for a professional order	335
fixation	→	load transfer	→	please always consider the load transfer. fixations on the wall have to be suitable for the corresponding door weight.	335
		proper screw connection + torque	→	the assembling of the hinges has to be executed with specific tools and material.	336-337
		flat surface	→	on flat surfaces, force-fit connections have to be secured.	337
		closed position	→	some of our shower hinges are equipped with adjustable closed position.	338
		perpendicular installation	→	the perpendicular and horizontal installation has to be considered in every case.	338
		reinforcement side part	→	the stabilization and reinforcement of the showers are an important security aspect.	339
		assembly aid	→	support block with pre-defined distances for mounting the shower	339
splashwater protection	→	usage of profiles and seals	→	in order to guarantee an optimal water resistance, Pauli + Sohn offers different opportunities and products. products on page 210, information on page 147	340
maximum point of pressure	→	proper type and hinge according to the bathroom	→	the following things have to be considered: - structural condition / requirement - proper selection of the shower type and corresponding hinges including the consideration of a protection against over opening. products on page 224, information on page 148-150	341-343
assembly	→	assembly general information	→	many of our hinges have an adjustable closed position and are therefore also suitable for non - flush walls.	344
		installation with U-profile	→	install U-profile in wall and floor properly	345
		assembly with swing hinges	→	what should be observed during assembly?	345
		intelligent assembly	→	assembly without splash protection	346-347



general remarks

All remarks and instructions on the following pages have to be followed, otherwise guarantee and liability expire immediately.

general information on hinges with pressure rollers for the closed position

Depending on the system, micro-scratches can cause a superficial matting in the area of the rollers on the visible contact surface (e.g. closed position roller).



built-in location

- The hinges may not be installed and used in rooms/areas with high chlorine and alkaline content because surface as well as functionality will be damaged sustainably.
- In case of using our shower hinges in areas with swimming pools, saltwater, saunas or steam baths, please contact our application engineers prior the installation!

maintenance instructions

- The shower hinges may only be cleaned with warm water and a soft towel (i.e. microfiber) and dried afterwards if necessary. Strong, aggressive, alkaline-based or chlorinated cleaner, abrasive cleaner (i.e. steel wool) or organic solvent must to be avoided!



planning

professional selection of shower type and corresponding hinge

- There are many mandatory and important facts when planning a shower. In order to meet the expectations of the customer and his unique structural situation on-site, you should plan and calculate all facts carefully.
- An important requirement is the visit and inspection of the bathroom in order to evaluate the situation on site.

information on DIN 14428 and the technical guideline no.24

The offered/confirmed shower enclosure, with or without lockable door or doors, is a splash-protected and individually manufactured product for a special order, which has been designed by us according to the valid regulations and the generally recognized technical rules.

The hardware and glass products used meet the requirements of DIN 14428 and TR 24 respectively. However, the shower enclosure, as a construction product, does not comply with DIN 14428 and, in accordance with the EU Construction Products Regulation, Chapter II, Art. 5, is not provided with a CE mark.



Depending on the design, water can escape from a shower enclosure.

The amount of water leaking depends on design-related factors of the construction, such as the selection of hinges and seals, the properties of the wall material used and their seams, the shower tray or bathtub or the condition of the floor surface, as well as the shower heads used, and thus cannot be predicted.

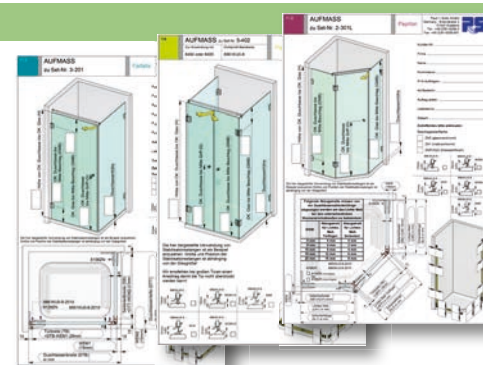
Whether escaping water returns to the shower area, depends on the condition of the floor surface in the area of the shower enclosure and cannot be guaranteed by us. An examination of the condition of the floor surface in the area of the shower enclosure was not carried out with regard to the return of escaping water.



measurement on site

professional measurement

- The professional measurement is one of the most important duties for a professional and successful order. Mistakes must be avoided as they cause a loss of time and might be expensive during correction.
- Systematic knowledge will be received during our shower-level-trainings at the Pauli Academy.
- You can find different measurement sheets for all hinges and fittings for different installations on our homepage www.pauli.de.



fixation

load transfer

- Please always take load transfer into consideration.
- The fixations on the wall have to be suitable for the corresponding door weight.
- Please follow the maximum loading capacity of the particular shower door hinges.

loading capacity of two hinges:


	PONTERE: (except 8404)	50 kg
	maximum door width (door height of 2000 mm and 10 mm glass)	1000 mm


	PAVONE:	36 kg
	maximum door width (door height of 2000 mm and 8 mm glass)	900 mm

	FARFALLA:	40 kg
	maximum door width (door height of 2000 mm and 8 mm glass)	1000 mm

	PAPILLON:	40 kg
	maximum door width (door height of 2000 mm and 8 mm glass)	1000 mm

	NIVELLO+:	36 kg
	maximum door width (door height of 2000 mm and 8 mm glass)	900 mm

	FLAMEA+:	45 kg
	maximum door width (door height of 2000 mm and 8 mm glass)	1000 mm

	FLAMEA:	36 kg
	maximum door width (door height of 2000 mm and 8 mm glass)	900 mm

	PILLANGO:	40 kg
	maximum door width (door height of 2000 mm and 8 mm glass)	1000 mm

	FLINTER:	36 kg
	maximum door width (door height of 2000 mm and 8 mm glass)	900 mm

	NIVELLO:	36 kg
	maximum door width (door height of 2000 mm and 8 mm glass)	900 mm

	FARDELLO:	42 kg
	maximum door width (door height of 2000 mm and 8 mm glass)	1000 mm

	TURA:	70 kg
	maximum door width (door height of 2700 mm and 8 mm glass)	1200 mm

	FLUTURE:	36 kg
	maximum door width (door height of 2000 mm and 8 mm glass)	900 mm

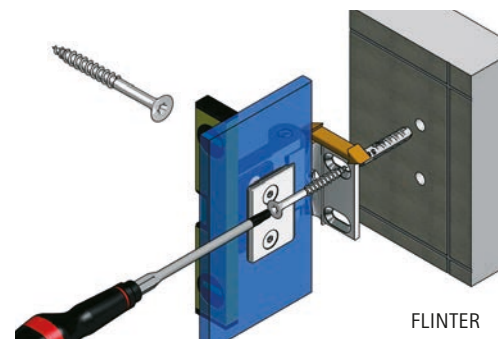
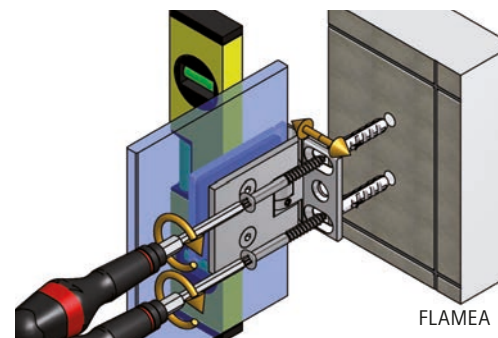


fixation

the proper screw connection

- The counter plates of our shower door hinges should be installed only onto a hard and flat surface like tiles, concrete or metall.
- It is important that the screws and dowels must be suitable for the corresponding structural situation.
- With partial area tiling in the bathroom it is absolutely necessary to pay attention so that the hinges and corner brackets are mounted using their entire surface.
- Select a drill bit that corresponds to the size of the dowels.

- Please check the height of the screw heads to make sure that the screws do not interfere with the cover plates. the screws should be made of stainless steel 304 or 316 and provide a countersink diameter of at least 10 mm and 12 mm at most.
- In order to keep the contact to the screw, use a screwdriver instead of using mechanical tightening.
- recommendation:
Usage of countersink chipboard screws:
TX25 - drive 6x60 A2, art no Z092VA p. 247
- We recommend two-component resin plugs for shower hinge series FLINTER, FLAMEA, and NIVELLO.

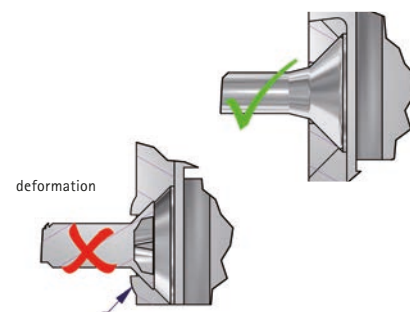
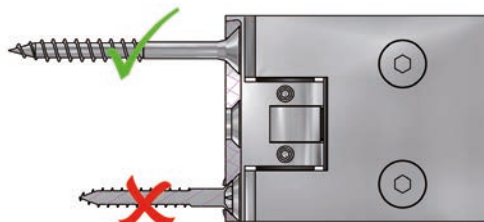


sealing

- Make sure that the sealing of the wall is not damaged when screwing the shower door hinges and brackets. This must be sealed again according to DIN 18534.

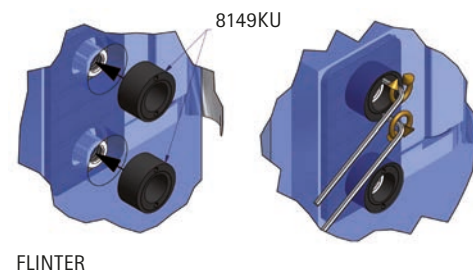
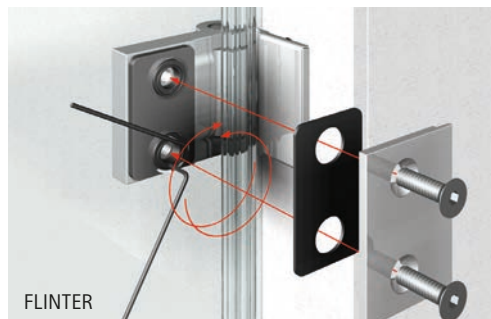
attention: deformation!

- The screw head is too small - the screw will be pinched and deformed into the bracket. Result is a deformation to the outside.
- The hinge may wobble on the wall as no flat grounding is secured.
- After mounting the door, take care that the wall plate does not move off the wall during opening and closing.



the proper screw connection

- When using FLINTER and NIVELLO Series, the supplied double eccentric applications have to be mounted according to the instructions.

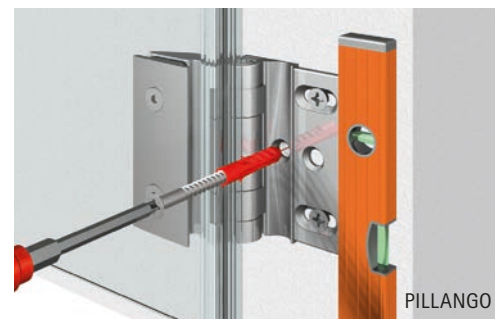
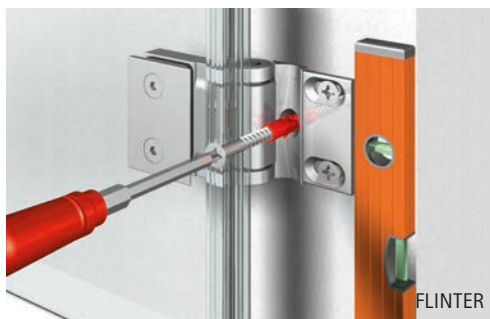




fixation

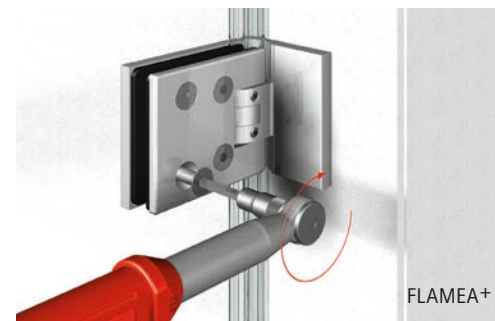
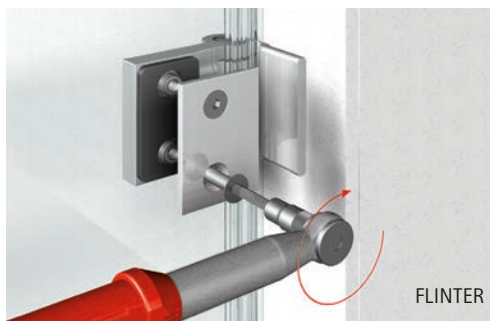
the proper screw connection

- Please note: when choosing our model 8152ZN (FLINTER G-W 90°), the supplied screws have to be set according to instruction manual for further fixation.
- When choosing 8481ZN/8480ZN (PILLANGO G-W 90°), the supplied screws also have to be set according to instruction manual. afterwards, you are able to adjust the closed position properly.



torque

- Please consider the indicated torque for the corresponding hinges. our assembly instructions can be found inside the packages and on www.pauli.de



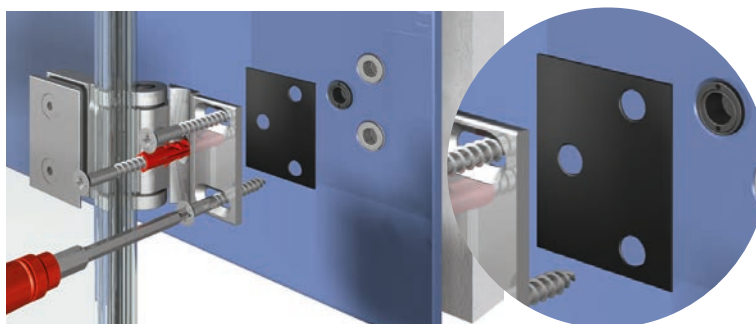
3rd mounting hole

- With our model 8900ZN (Fardello glass-wall 90°), the 3rd mounting hole prevents bending on the wall.
- The shower hinge is designed in such a way that this hole can be drilled with an 8 mm drill bit in the assembled state.



flat surfaces

- A force-fit connection with suitable material has to be established in order to guarantee permanent functionality
- When facing flat surfaces (i.e. glass or surface sealed tiles), please use our contact material (art.no.: 8877HZ - page 327)





fixation

adjustment of closed position

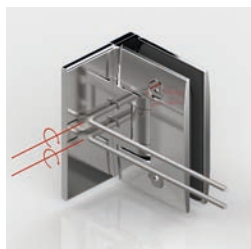
- Some of our hinge series offer the possibility to adjust the closed position repeatedly.
- When the door panel is aligned and all sealing profiles are equipped, the closed position may be adjusted. Tighten the grub screws alternately with the indicated torque - retorque after 15 minutes.
- That ensures an exact adjustment of the closing point even on less rectangular walls. all important information can be taken from the enclosed assembly instructions

important note

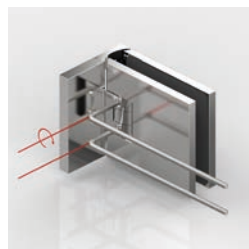
- For shower door hinges with adjustable closed position or lifting/lowering function, must always be adjusted and applied.

perpendicular installation

- The correct installation is important for factors like stability and durability. The perpendicular installation has to be respected in any case. please always take the assembly instruction into consideration.



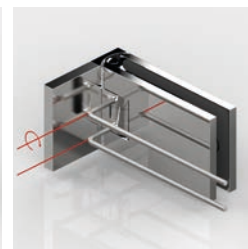
PONTERE – 8406MS



FLAMEA+ – 8130ZN



FLAMEA – 8180ZN



FARDELLO – 8900ZN



PAVONE – 8390ZN



TURA – 8961ZN



PILLANGO – 8480ZN



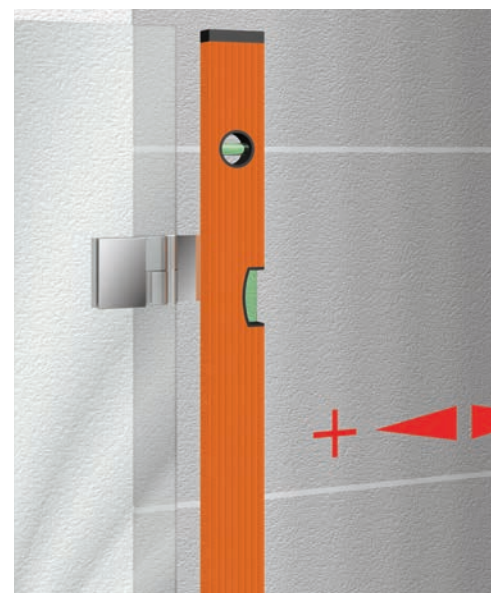
NIVELLO+ – 8368ZN



NIVELLO – 8369ZN



FLUTURE – 8190ZN





fixation

stiffening side panels

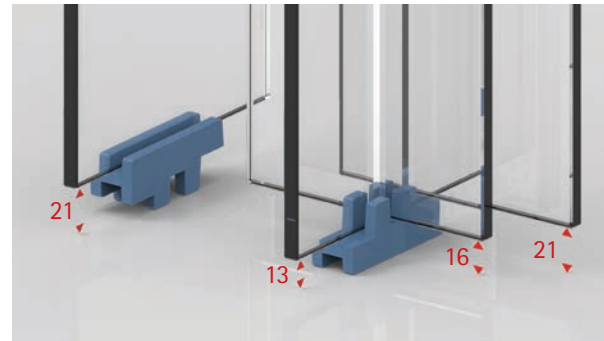
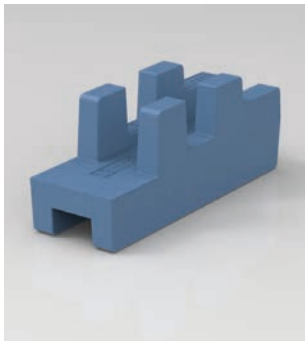
- The all-glass showers should be equipped with support bars to stiffen the side panels. Depending on the application, the number and the arrangement of the stabilizing rods can differ.
- Support bars prevent extreme bending of the glass in cases of impact.
- The support rod should be placed at the most unfavorable point in order to ideally reduce deflection of the glass panel.
- On principle, side parts which will be equipped with a door panel, have to be reinforced and stabilized. the reason is the expected deflection and bending of the side part during opening and closing of the door. Usually, the bending will be enhanced due to the already existing elastic forces. This can cause the door hinges to lose their grip and the closed positions could.
- For the stability of the shower, we recommend that you do not install the round or square support bar longer than 1200 mm.
- A shower with a railing system over a certain size, will never have the same stability as a shower with a support bar and T-adapter.
- Our application technicians will gladly advise you.



assembly aid

support block for shower doors

- Assembly aid for the spacing of 13 / 16 / 21 mm (Article No. 8840KV-PS)





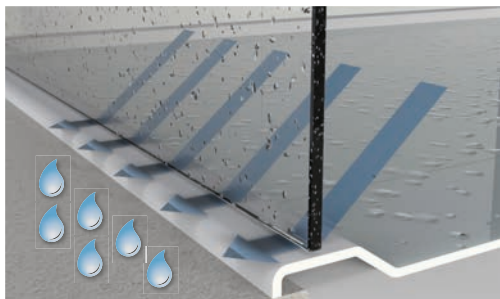
splashwater protection

Our all-glass showers are characterized by a filigree and exclusive splash-water protection. However, absolute watertightness cannot be achieved, because for example, when opening the door/doors, water residues can drip from the door surface onto the floor. In principle, water leakage with moving parts cannot be excluded. Through careful planning and the intelligent use of inconspicuous sealing profiles and splash protection systems, the escape of splash-water can be considerably reduced. If you want to do without splash protection or sealing profiles, you must expect increased water leakage. We offer many different seals and these can significantly increase the protection against splash-water. In the case of shower doors, you should always install a splash guard in the lower area to avoid increased water leakage. Our experts can offer you various solutions - we would be glad to advise you.

- Showers without sealing profile are unsurpassed in their elegance and also very easy to clean, but splash-water can run outside more easily.



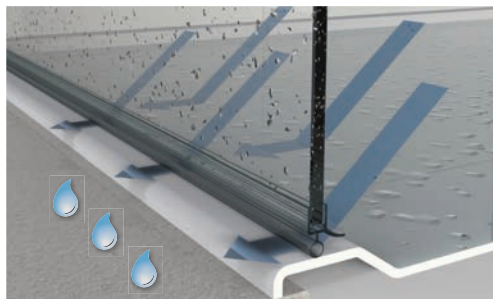
without sealing profile -
more water can escape to the outside.



- Showers with hose-sealing profiles offer a higher watertightness and therefore less water can escape outside.



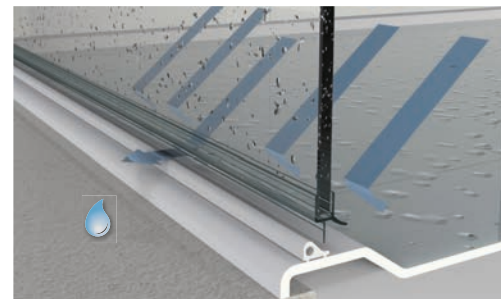
with sealing profile -
less water can escape to the outside.



- Showers with sealing profiles and a splash guard reduce splash water to a minimum.



with sealing profile and splash guard -
hardly any water escapes to the outside.



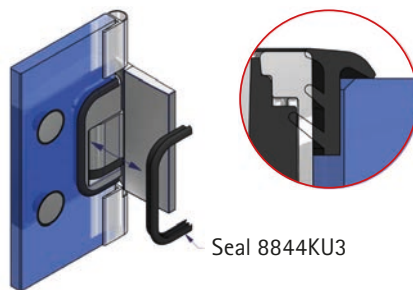
application with sealing profiles

- In order to ensure a smooth assembly process, we strongly recommend that when using PAVONE and NIVELLO the glass is CNC machined and that the assembly of the PAVONE hinges is carried out with the sealing inserts 8844KU3 before aligning the glass panel.



use with edge cutout
according to manufac-
turer's specifications

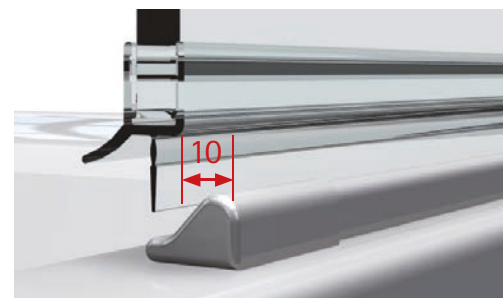
if the edge cutout is smaller
than the manufacturer's
specification
the lower lip can be
removed completely or in
sections with pliers.



Seal 8844KU3

- To ensure long term water resistance and appearance, the seal profiles should be regularly cleaned and freed from dirt and mold!

- To ensure that splashed water can be caught and returned into the shower enclosure, the splash guard must be positioned with sufficient distance from the glass surface and silicone sealed on the inside as well as on the outside.





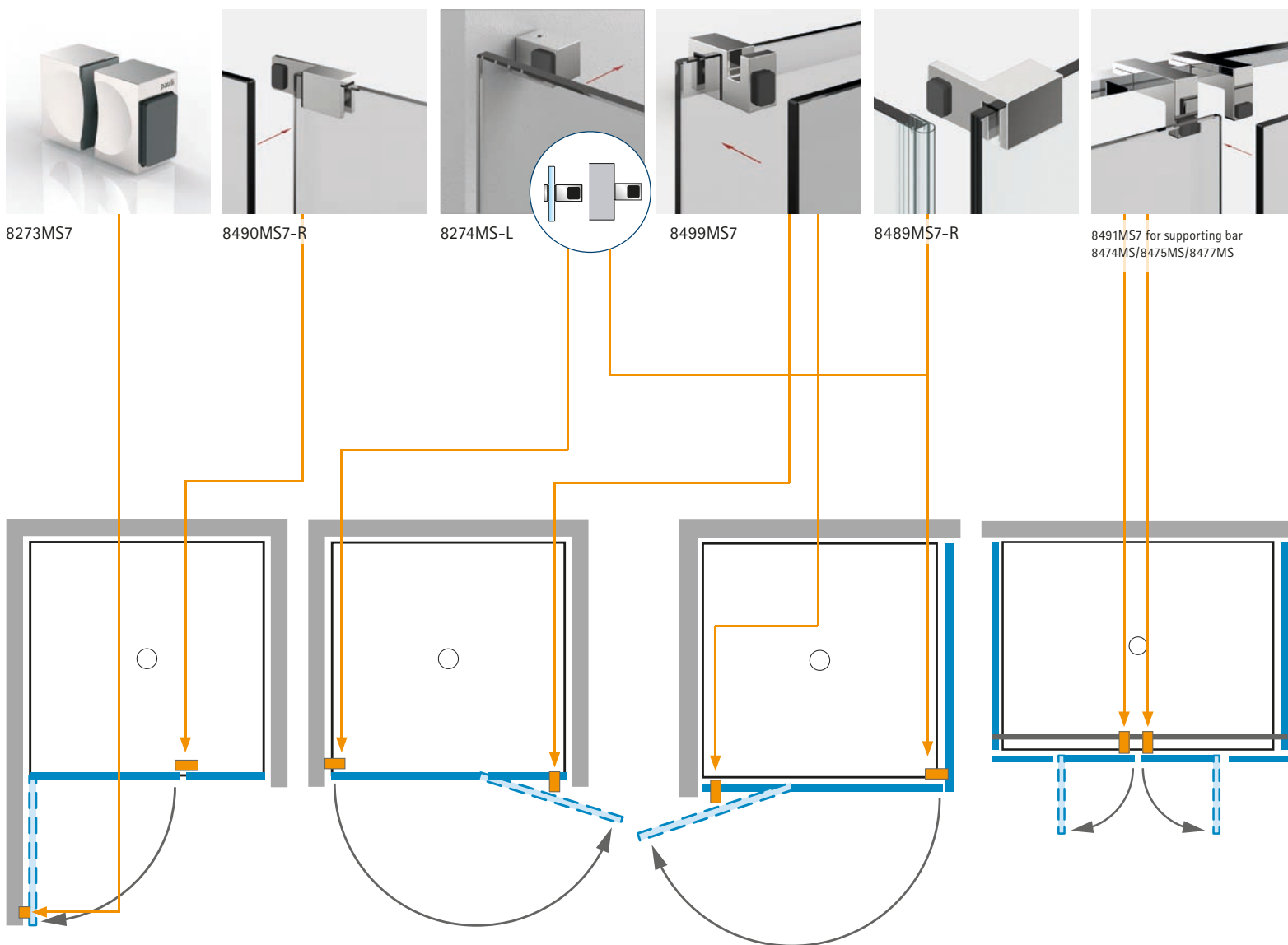
door stop limiter

protect glass and hinges against incorrect operation

- In order to protect shower-hinges and glass against incorrect operation, you have to consider that the door panels should not be pushed open over the limit (max. 90°) during planning of the shower.
- Prior to the installation, the local structural conditions have to be matched with the corresponding shower hinges in the specific installation situation.
- In order to prevent damage, a well-positioned door stopper is very useful.

products for opening limitations and door stops

- We offer different possibilities for limitations in- and outwards. please refer to page 210 and onwards.





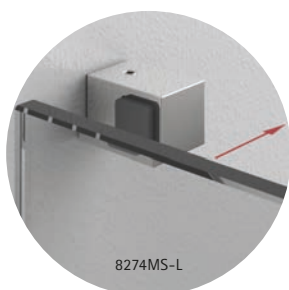
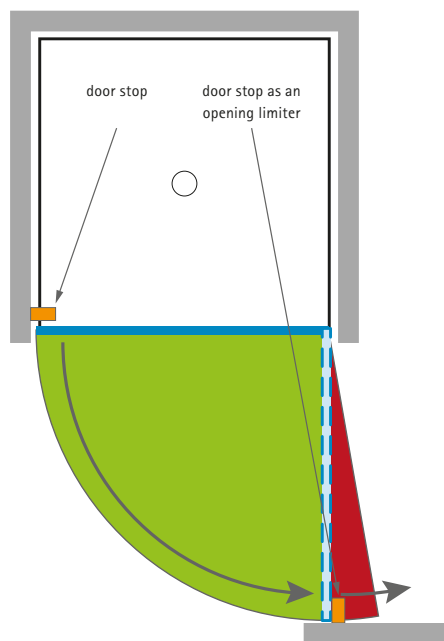
door stop limiter



proper installation of door stops to prevent over opening and undesired glass contact.

A: the door panel is opened outwards. during this usage, the opening limitation is secured in both directions but in case of panic-situations and opened door, there is no means of escape. This is very important and has to be respected especially in the public sector.

A



8274MS-L



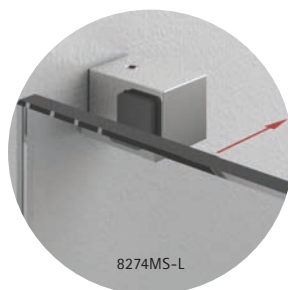
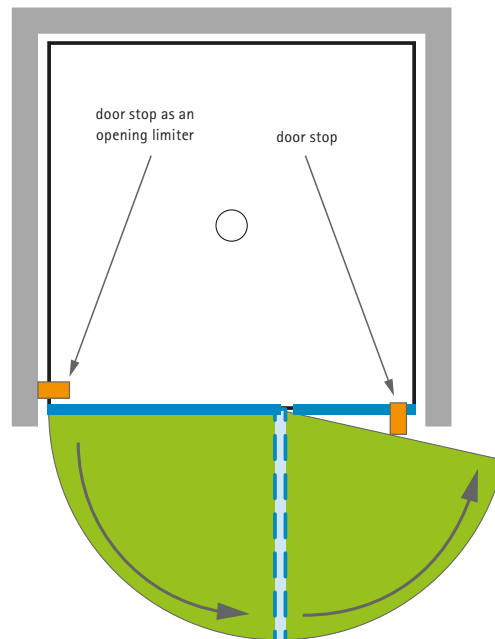
door stop limiter



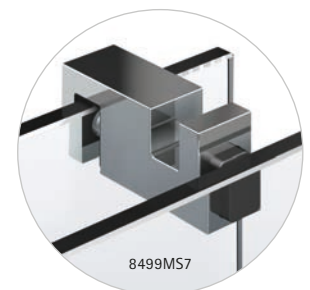
proper installation of door stops to prevent over opening and undesired glass contact.

B: we suggest the possibility of a door in combination with a fixed glass side panel. the door can be opened completely. when using closing limitation inwards and door stopper outwards, glass and tiles are also protected. As the door is smaller, you are also able to pass by it in opened condition.

B



8274MS-L



8499MS7



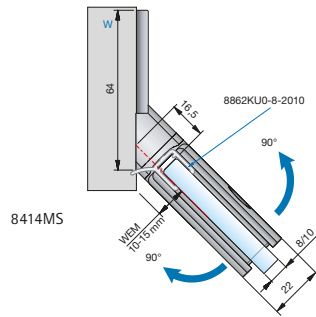
installation in general

the proper installation situation

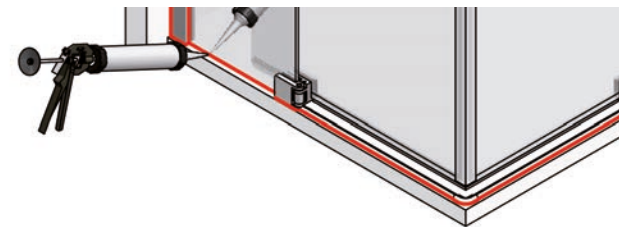
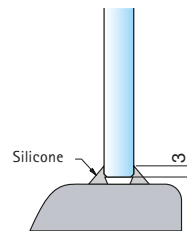
- Not every shower hinge matches every local installation situation.
- Especially with non-aligned walls it is very important that you choose a shower hinge, which is able to compensate the inclined walls in combination with a guaranteed opening-angle of minimum 90°



- During this prior check, the selection of the mounting situation respectively the shower hinge have to be changed, if the installation situation matches better with the local structural condition and an improved opening limitation is guaranteed.
- The opening limiter has to be adapted to the particular bathroom situation. in case of any further questions, please get in touch with our application technicians!

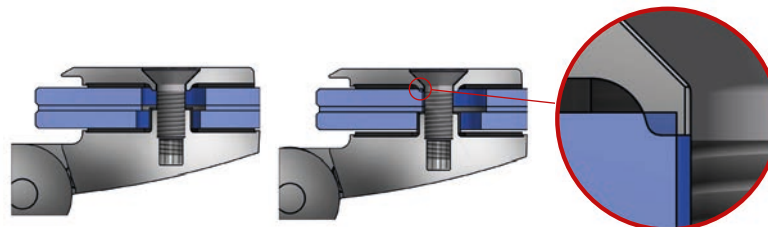


- All-glass showers should be sealed. the sealing is essential to the stability of the entire shower system. therefore it is imperative to make a constructive seal with a triangular form instead of a "show" seal.



installation instructions for the use of laminated glass panels

- Due to the possible offset with laminated safety glass panels, it is essential to ensure that the counter plate is mounted centrally in the glass hole. Note: Incorrect installation can lead to glass breakage!





installation with U-profile



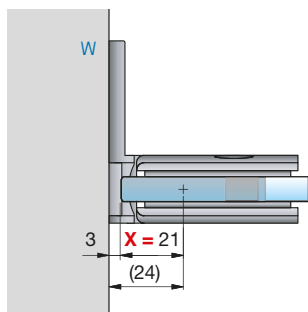
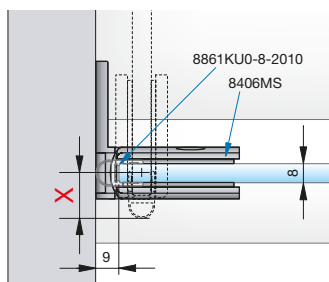
installation with U-profile on wall and floor

- To ensure that the water barrier in the bathroom is not damaged by subsequent drilling of the U-profile, the tiler should incorporate the U-profile and carry out the correct moisture barrier in accordance with the exposure class according to DIN 18534 and the recognized guidelines.
- If a U-profile has already been installed, we recommend having the owner certify that the sealing for the profile was carried out according to DIN 18534.

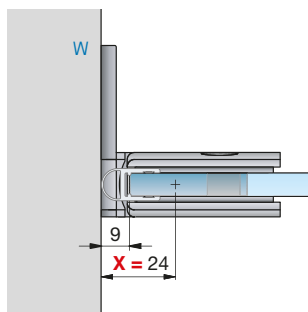
assembly with swing door hinges

what should be considered during installation!

- The pivoting point of the pendulum hinge results the cantilevering of the glass panel. This creates a draining edge on the outside, which must be taken into consideration during planning.
- For many pendulum hinges, you can find the dimension of the protrusion (X) in the technical drawings.



Example PONTERE 8406MS
without seal



Example PONTERE 8406MS
with seal

hinge series	art.-no.	feature	with seal X	without seal X
PONTERE	8406MS	glass-wall 90°	24 mm	21 mm
	8408MS	glass-wall 90°	24 mm	21 mm
	8404MS	glass-wall 90°	30 mm	27 mm
	8412MS	glass-wall 180°	25 mm	21 mm
	8410MS	glass-glass 90°	22 mm	22 mm
	8400MS	glass-glass 180°	21 mm	18 mm
PAVONE	8390ZN	glass-wall 90°	19 mm	16 mm
	8391ZN	glass-wall 90°	19 mm	16 mm
	8392ZN	glass-glass 180°	with 8857KU0 - 28 mm with 8845KU0 - 16 mm	16 mm
FLAMEA+	8130ZN	glass-wall 90°	19 mm	16 mm
	8134ZN	glass-wall 90°	19 mm	16 mm
	8132ZN	glass-glass 180°	16 mm	13 mm
	8136ZN	glass-glass 90°	20 mm	17 mm
FLAMEA	8180ZN	glass-wall 90°	15,5 mm	15,5 mm
	8182ZN	glass-glass 180°	14,5 mm	11,5 mm
FARDELLO	8900ZN	glass-wall 90°	19 mm	16 mm
	8901ZN	glass-glass 180°	15,5 mm	12,5 mm
	8902ZN	glass-glass 90°	20 mm	17 mm



assembly without sealing profiles

assembly

- The all-glass shower starts with an intelligent placement of the shower basin and the design of the floor.
- With our new innovative developments in the lifting hinge area we give you the possibility, depending on the application, to build the shower without seals.



situations with shower basins

- Due to the wedge-shaped tiling, it is possible to install a shower without a lower seal. Depending on the load class, the correct seal must be used according to the recognized directives.



door panel on the wall

- The water on the door panel will run into the shower channel because of the floor sloping towards the wall.

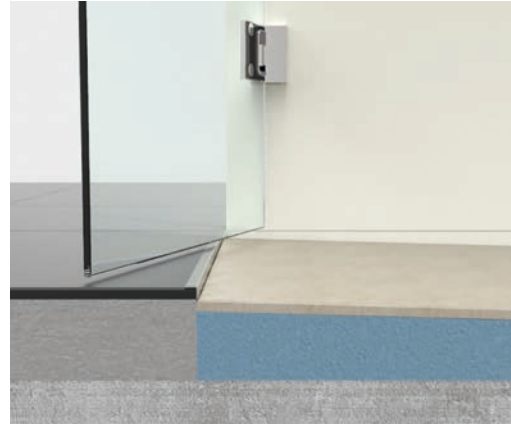


assembly without sealing profiles



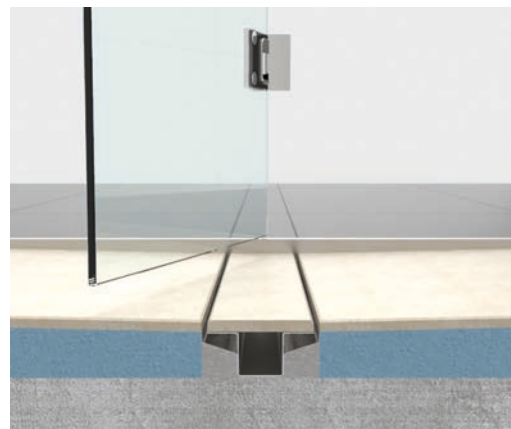
door panel on the wall

- Through the lowered floor and the forwarded door panel, the water on the door runs directly into the shower area.



water drain on the door

- Due to the floor being lowered on both sides the splash water on the door runs directly into the drain.





up-to-date with Pauli Academy

PAULI **AKADEMIE**
PROGRESS THROUGH KNOWLEDGE



The Pauli Academy is the training Department of Pauli + Sohn which teaches relevant knowledge of the construction sector. As one of the leading manufacturers for glass hinges, Pauli + Sohn traditionally sets standards in terms of variety of products, design and safety. the training courses are tailor-made for designers, distributors and technicians.

Additionally, you are able to find lots of valuable inspirations of the Pauli + Sohn product portfolio within our training center. Due to the close collaboration of technicians and designers, our products are innovative and design-orientated at the same time. Details will

be created, which cannot be missed in the future, techniques can be found which let familiar problems disappear forever.

Moreover, we implement the continuous feedback of our customers in the training courses in order to improve from good to better!

You can find further information about our schedule for training courses on our homepage www.pauli.de. As not every customer is near our training centres, the Pauli Academy also offers training courses at selected partners. Please get in contact with our specialists in Waldbröl!

PAULI **AKADEMIE**
on Tour



PAULIANUM
P+S KOMPETENZ LIVE



MANNHEIMFORUM
KOMPETENZ LIVE



RADEBEUL



MAINTOWNFORUM
P+S KOMPETENZ LIVE



our range of seminars

Benefit from our knowledge and our wealth of experience in the shower sector. Whether workshop, basic-seminars or the shower master program, the experts and specialists at the Pauli Academy will support you professionally and will keep you always up-to-date.

Note: seminars are currently held in the German language only.
English upon request.

Just scan the QR-Code with your QR-Code Reader.
The app is available free of charge within the App Store (iOs) or the Google Play Store (Android), i.e. i-nigma or Zxing



basic seminar showers

fundamentals, products and their application

- overview and functions of shower door systems and hinge program
- the proper selection of hinges according to the structural condition on-site.
- central points for stability (bracing) and density
- proper selection of sealing profiles

requirements: none

a certificate will be issued for this seminar.



showers: Pro – mounting/installation – seminar and Workshop

fundamentals and practical exercises

- get to know systematical basic-knowledge for measurements on site
- fundamentals and practical exercises
- proper installation
- analyze situations and learn from mistakes
- working with measurement and glass order drawings
- workshop shower installation incl. proper cut of sealing profiles

requirements: basic seminar shower or shower master level 1

a certificate will be issued for this seminar



shower master programm

multi-stage seminar programm up to the shower-professional

The owner of the certificates of the shower master programm of the Pauli Academy proves that the usage of P + S shower systems has been trained comprehensively.

The shower master knows the requirements of DIN EN 14428 as appropriate legal basis and has expertise to support the customer professionally up to the installation of the product. There by the shower master is able to judge and evaluate structural conditions on site in order to find optimal solutions starting from measuring on-site up to the installation of a glass shower.

For further information to this particular training program, please refer to the next double page.





the road to the shower master

With the achievement of the shower master, the graduate is able to evaluate structural conditions on site comprehensively and realize the best solutions starting from measurement on-site up to the installation of glass shower systems. You will get in touch with the proper selection and the cut of sealing profiles as well as with the planning and creating of glass drawings by using the Pauli "shower configurator".

Due to this knowledge, quality and efficiency increase significantly during your daily business.



If you are qualified specialist and own the shower master, we are pleased to offer a namely mention on our homepage. Designers and architects are able to find you with the search function via zip-code as specialist for showers.



shower master level I

educational content:

Provide systematic basic-knowledge concerning the different characteristics and installation possibilities.

objective:

The seminar provides a comprehensive overview about the different Pauli products and the basic usage. Impart systematical basic-knowledge for successful planning and creation of showers.

fundamentals level I

- overview and functions of shower door systems and hinges programm
- central points for stability (bracing) and density
- requirements for installation and wall connection
- proper selection of sealing profiles

target group:

consultants, designer and processor

requirement:

Basic seminar showers



shower master level II

educational content:

Provide consultant- and professional expertise as well as planning reliability for any emerging situation on site. Being able to sketch out and present individual shower solutions.

fundamentals level II

- practice-oriented applications
- special solutions and barrier-free shower partitions
- determination of customer requirements
- referring to important legal basics when working with shower partitions
- recommendation for written essential agreements within the offer
- installation according to DIN EN 14428
- what has to be concerned in hotel- and object-business
- analyze situations and learn from mistakes
- workshop proper cut of sealing profiles

objective:

The seminar provides a comprehensive overview about the different Pauli products and the basic usage. Impart systematical basic-knowledge for successful planning and creation of showers.

target group:

consultants, designer and processor

requirement:

shower master level I



shower master level III

educational content:

Objective is to optimize the business and technical skills. The comprehensive determination of the situation on-site will be focussed while taking the measurements into consideration in order to finalize the installation professionally.

fundamentals level III

- evaluate different bathrooms professionally
- measurements on site when facing different mounting situations
- calculation and sketch up of glass orders drawings
- workshop shower installation
- knowledge Test

objective:

The seminar provides a comprehensive overview about the different Pauli products and the basic usage. Increase the professional expertise during planning, installation and sale of shower partsions.

certificate:

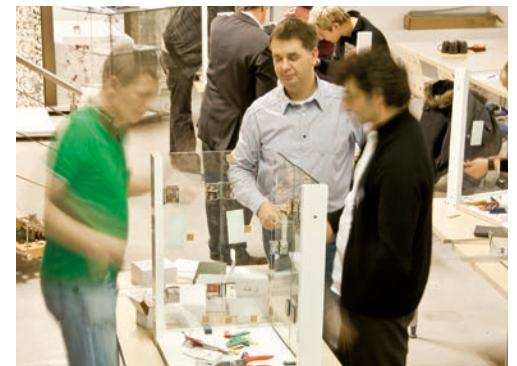
You will receive the title "shower master" and an official certificate. Upon request, you may be listed on our webseite as partner.

target group:

consultants, designer and processor

requirement:

shower master level I and level II



factory visit (only during level trainings in Waldbröl)



convince with an impressive showroom



Pauli + Sohn also sets high standards concerning showroom-equipment: you are able to create atmosphere and show customers multifaceted possibilities due to our decent shower modules - starting from the fitting, to the installation situation until special solutions. Our product range does not only cover shower systems, also canopies,

facades and balustrade systems are available als modules. These can be positioned in your showroom very easily and be used for an exhibition and as comprehensive presentation of Pauli + Sohn products even in small areas. We would be pleased to advise and support you during your planning and realization of your showroom - please contact us!



C32 "Trio" for your showroom



sample case and display for product samples



new shower objects for your showroom

We have developed new showroom objects for you and designed them down to the smallest detail. We offer you all of the important information and accurate construction drawings.

The total height of the shower objects can be individually adapted to the premises. Our technical department will be happy to advise you.

shower object Nr: 1

with 2 shower applicatons – size: ca. 2450/900/ height 2200mm



pos.1 niche shower consisting of:

- 2x lifting swing door model Pavone without side and bottom door seal
- 2x flush-mounted door handles

the shower tray is optimized for the installation without sealing profile.

pos.2 corner shower consisting of:

- 2x folding door hinges FLAMEA⁺ in combination with model FLINTER opening inwards and outwards
- 1x side panel with towel bar and slightly lowered floor



shower object Nr: 2

with 3 shower applicatons – size: ca. 3400/1050/ height 2750mm



pos.1 corner shower consisting of:

1x swing door hinges fittings model FLAMEA⁺

1x door handle

2x side panels with angle connector and towel bar.

the shower floor is slightly lowered and optimized for the installation without sealing profile.

pos.2 niche shower consisting of:

2x lifting hinge for swing door Model Pavone without side and bottom door seals.

2x flush-mounted door handles.

the shower tray is optimized for the installation without sealing profiles.

pos.3 corner shower consisting of:

2x folding door panels Model FLAMEA⁺ in combination with Model FLINTER opening inwards and outwards

1x side panel with towel bar and slightly lowered floor.

shower object Nr: 3

with 3 shower applicatons – size: ca. 3400/1050/ height 2750mm



The shower floor has a bevelled edge and is optimized for installation without a sealing profile.

pos.1 corner shower consisting of:

1x swing door hinges fittings model FLAMEA⁺

1x door handle

2x side panels with angle connector and towel bar.

the shower floor is slightly lowered and optimized for the installation without sealing profile.

pos.2 niche shower consisting of:

2x lifting hinge for swing door Model Pavone without side and bottom door seals.

2x flush-mounted door handles.

the shower tray is optimized for the installation without sealing profiles.

pos.3 corner shower consisting of:

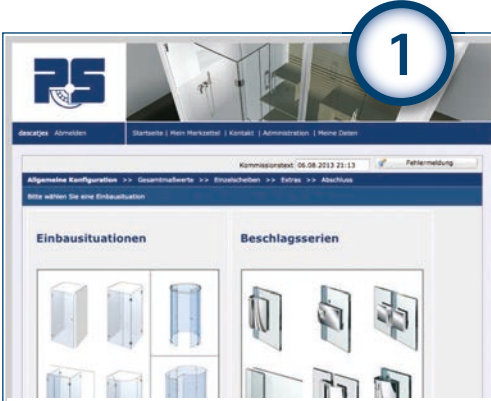
2x folding door panels Model FLAMEA⁺ in combination with Model FLINTER opening inwards and outwards

1x side panel with towel bar and slightly lowered floor.



5 steps to your online configured glass shower


The domain www.duschenplaner.de assists you perfectly when planning and managing an order. You will receive a bulletin concerning the latest updates fully automated via newsletter. Just follow the next steps:



1

general configuration


- selection of the installation situation
- selection of the model type
- selection of the hinge
- selection of color for the hinge



2

determination of total dimensions


- enter basic measurements of the shower
- determine positions of the hinges
- enter backset dimension of the shower
- possible additional functions



3

postprocessing of the single glass sheets

- configure hinges + accessories
- glass treatment (additional drillings)



4

accessories (optional) for your shower

- when using large showers, possibility of braced supporting bars



5

termination of the configuration process

- document/action center
- download / print the installation view, list of components, glass order drawings,
- send data via e-Mail

Note: the shower configurator is available in the German language only.



as you desire – premium surfaces and colors

Perhaps a bit different? In addition to stainless steel and chrome, we offer you a selection of attractive trend colors and surfaces for our hardware, such as gold or glossy black. Our special colors, such as copper, bronze or rose gold, are even more individual and exclusive. our insider tip against standard chrome.



standard colors



ZNPVD36
black gloss



ZNPVD35
black matt



ZNPVD20
gold optic



ZN5
gloss chrome



ZN1
matt chrome



ZNPVD22
stainless steel optic



ZN10
gloss nickel

NEW

Now NEW - C88 sample plate case
with all NEW standard surface colors

special colors upon inquiry



gloss rosé gold



gloss bronze



gloss copper



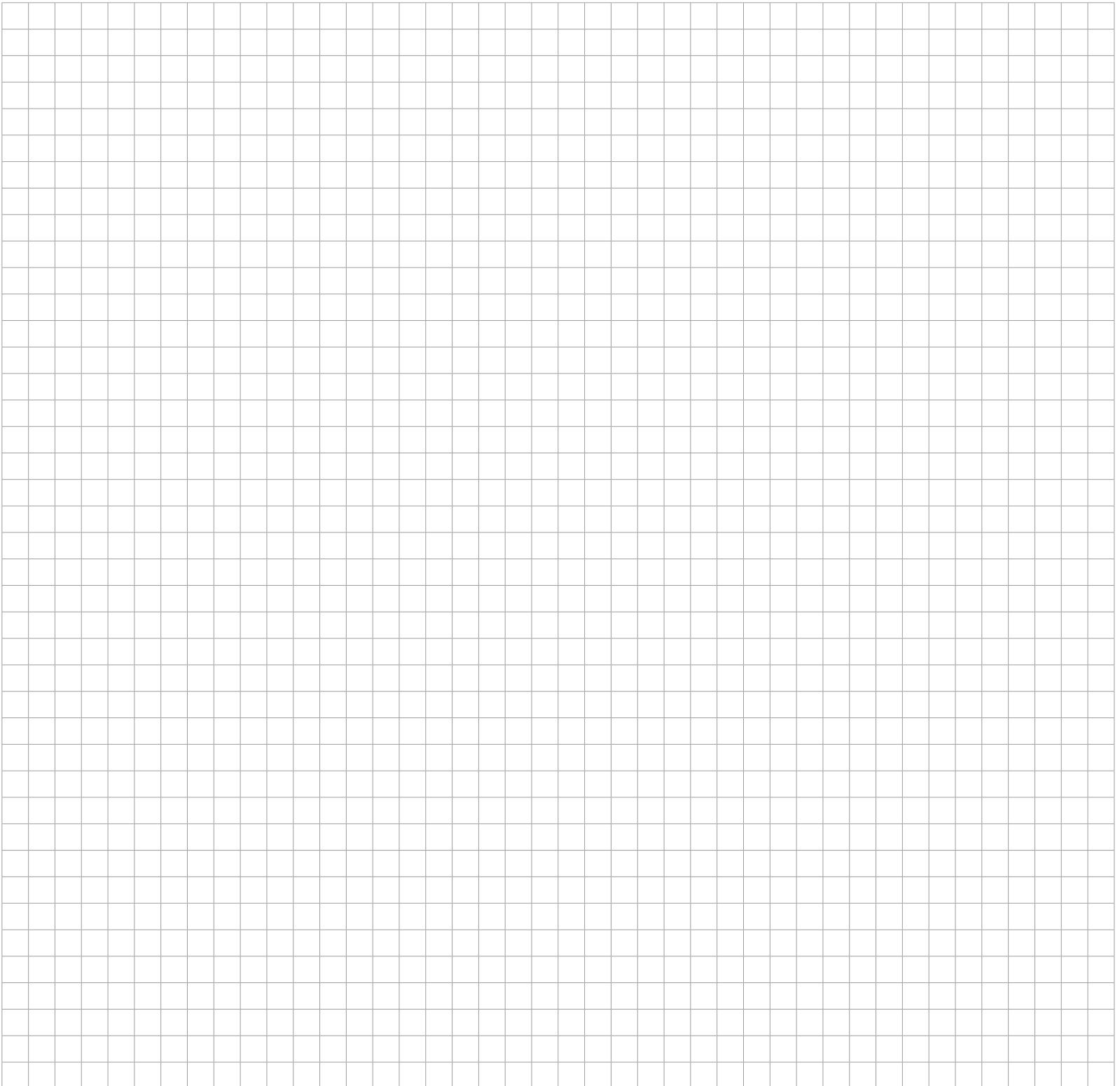
matt rosé gold



matt bronze

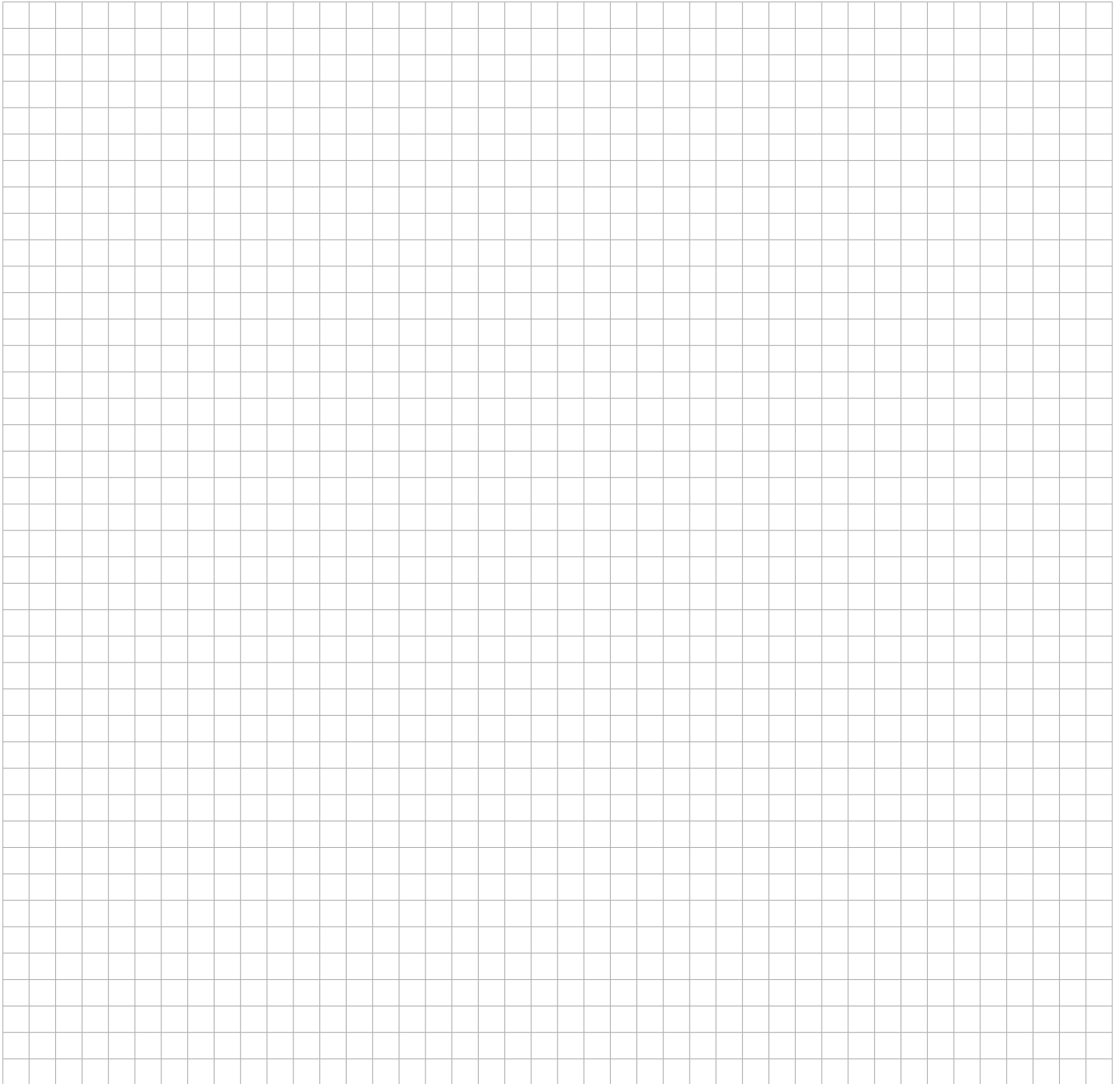


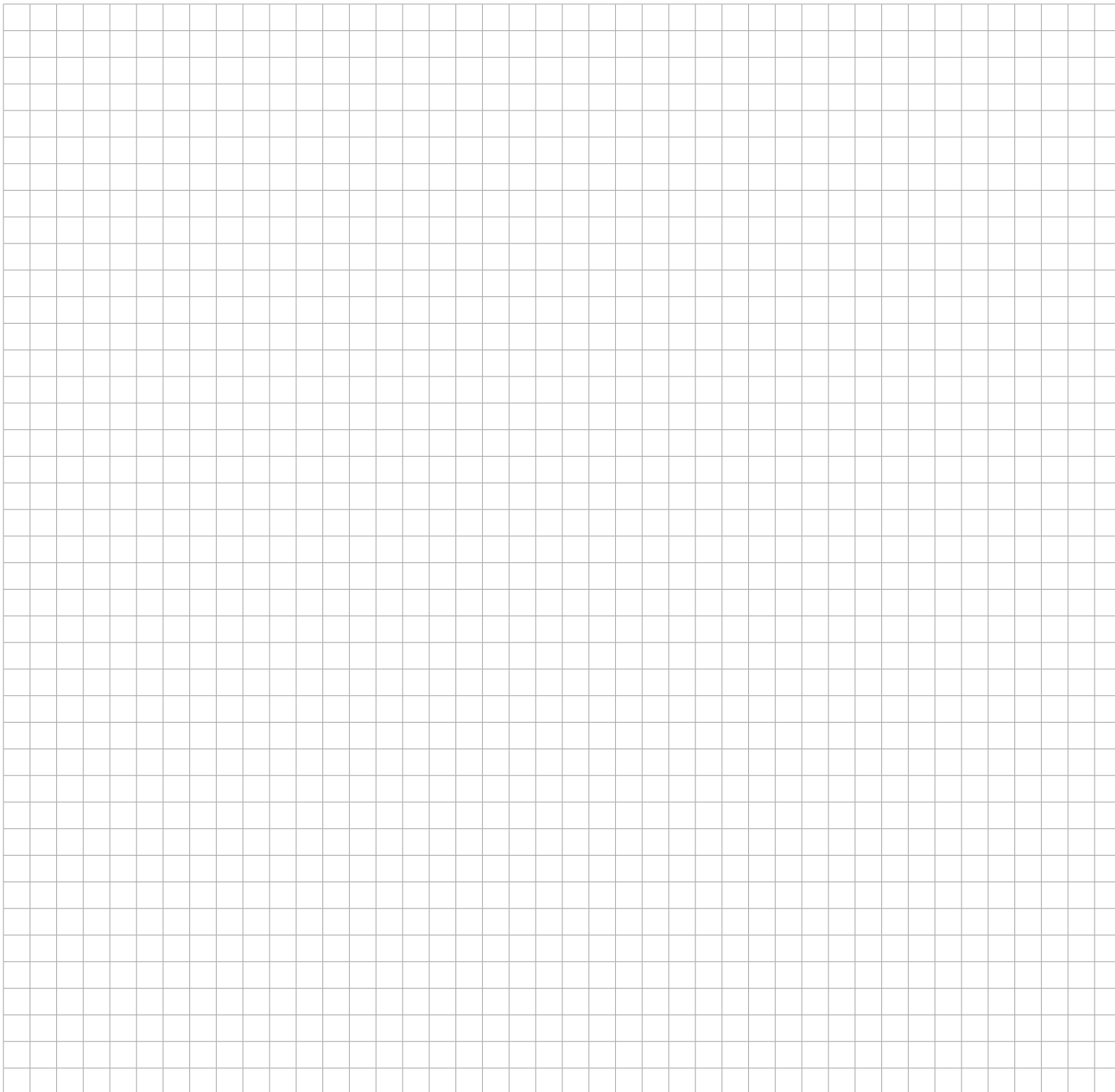
matt copper



--	--	--

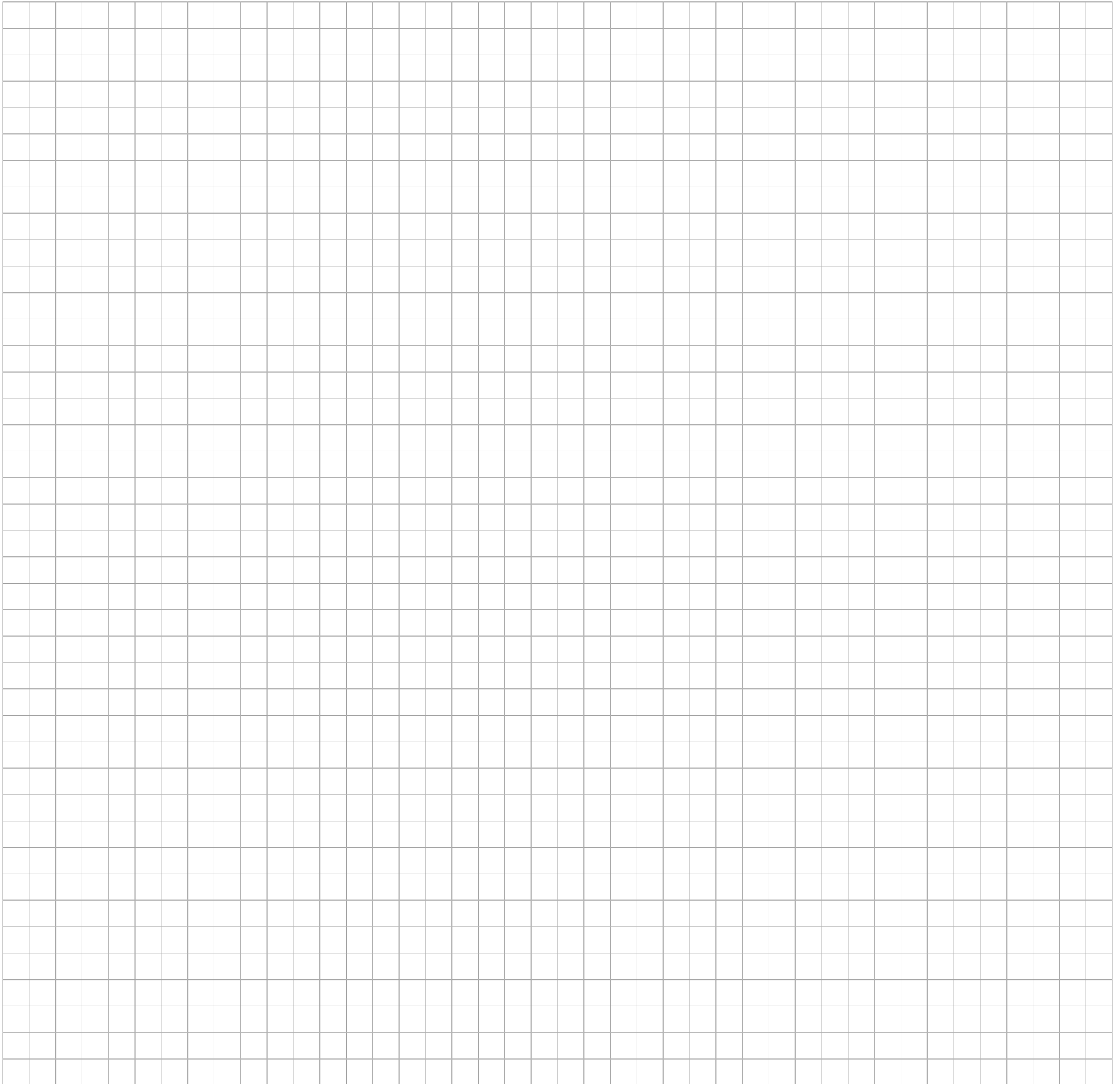
--





--	--	--

--





Pauli + Sohn

Pauli + Sohn GmbH

all images, technical drawings and descriptions are copyrighted property of the Pauli + Sohn GmbH technical measurements within the catalog are not binding; subject to change. Any liability for printing errors which have occurred during the preparation of this brochure is excluded.

www.pauli.de

stand: March 2021



Climate neutral

Print product

ClimatePartner.com/10289-2103-1003





Pauli + Sohn GmbH

Eisenstraße 2

D-51545 Waldbröl

Phone +49 22 91/92 06-0

Fax +49 22 91/92 06-681

Industriestraße 20

D-51597 Morsbach

Phone +49 22 94/98 03-0

Fax +49 22 94/98 03-881

internet: www.pauli.de

e-Mail: pauli@pauli.de

Pauli Scandinavia AB 
Member of Pauli + Sohn GmbH group

Pauli Scandinavia AB

Fågelviksvägen 18 Hus 3

145 53 Norsborg, Sweden

internet www.pauliscand.se

e-mail info@pauliscand.se

Phone +46 8 449 32 00

Fax +46 8 449 32 01

SARL Pauli
France

SARL Pauli France

1208 av du Camp de Menthe

13090 Aix En Provence

internet www.paulifrance.fr

e-mail infos@paulifrance.fr

Phone +33 442 58 18 13

Fax +33 442 58 27 12

Pauli + Sohn GmbH in Portugal

Rua Maria Luisa Holstein, 15, sala 23

1300-388 Lisboa, Portugal

internet www.pauli.pt

e-mail portugal@pauli.de

Phone +351 210 968 284

Fax +351 210 968 423



Pauli Scandinavia AB 
Member of Pauli + Sohn GmbH group

Stockholm



Morsbach
Waldbröl

SARL Pauli
France

Aix En Provence



Lissabon



Pauli International

Eisenstraße 2

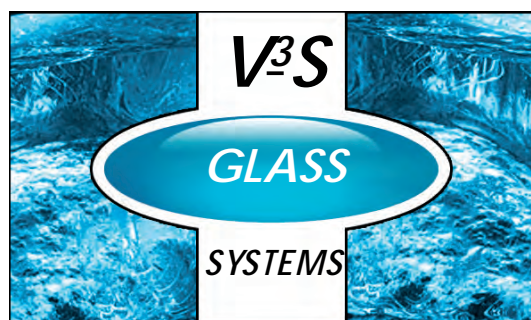
D-51545 Waldbröl

Telefon: +49 (0) 22 91-92 06-0

Fax: +49 (0) 22 91-92 06-681

www.pauli.de

info@pauli.de



V3S Glass Systems BVBA
Gentsesteenweg 198
9420 Erpe
Tel.: 053 80 87 77
Fax: 053 80 82 64
E-mail: info@v3s-glass-systems.be